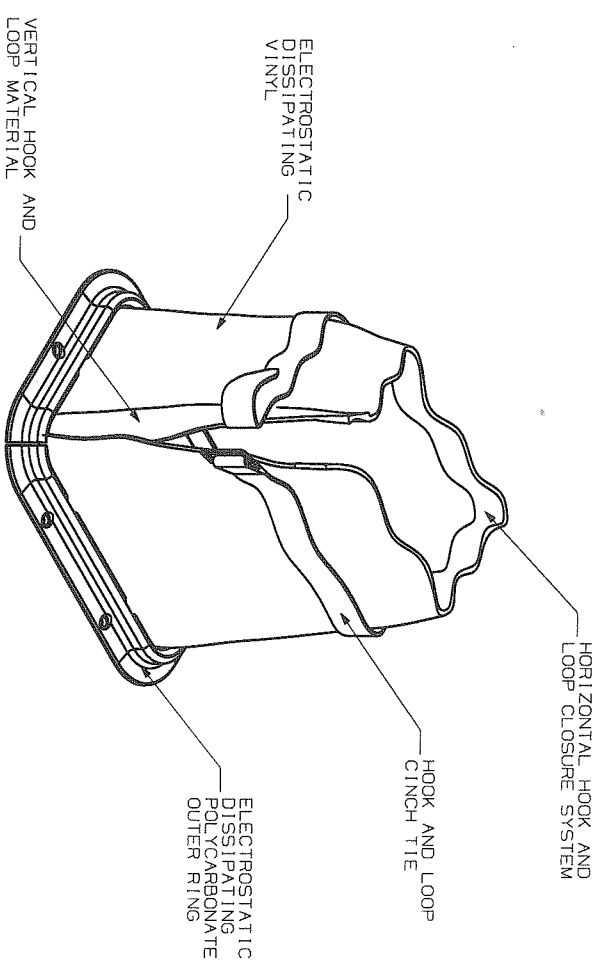
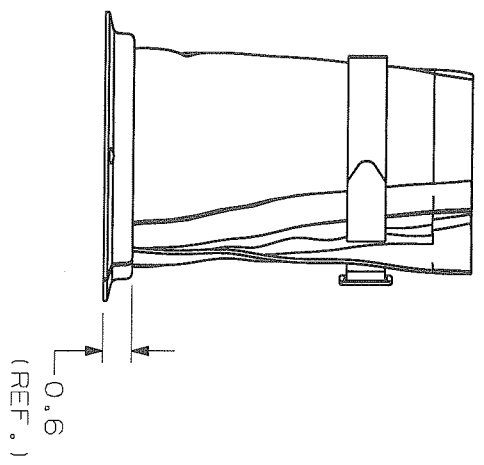
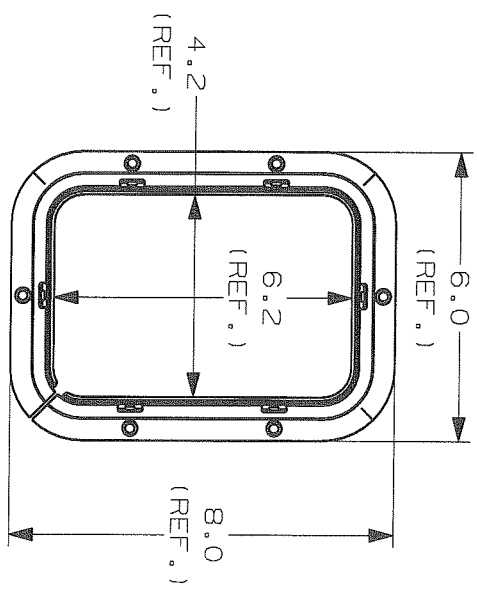


THIS COPY IS PROVIDED ON A RESTRICTED BASIS AND IS NOT TO BE USED IN ANY WAY DETRIMENTAL TO THE INTERESTS OF PANDUIT CORP.



NOTE:  
 1) PRODUCT INCLUDES PHILLIPS PANHEAD SELF-DRILL SCREWS, #6 x 5/8", (QTY 6).

REV	DATE	BY	CHK	DESCRIPTION	ECN	R	CUST	SUP
01B	08/15/08	ARHA	ARHA	ADDED "Y" PART NUMBER: CHANGED REV. STYLE.	GB3405VB	01B	KLW	
1	03/18/08	ARHA		CHANGED HOLE CONFIGURATION	GB3405VB	1		

**PANDUIT** CORP. TINLEY PARK, ILLINOIS

**RF6X8SM(Y)**

**RAISED FLOOR GROMMET (SURFACE MOUNT)**

DIMENSIONS IN BRACKETS ARE METRIC ( mm )

CAD FILENAME/LAYERS: G03405VB\_DC\_GB3405VB/01B

UNLESS OTHERWISE SPECIFIED, DIMENSIONAL TOLERANCES ARE: ( .XX ) ± 0.1 ( 2.5 ) ( .XXX ) ± 0.010 ( 0.25 ) ( .XXX ) ± 0.02 ( 0.51 ) ANGLES ± 5°

UNLESS OTHERWISE SPECIFIED, ALL DIMENSIONS ARE GIVEN IN INCHES, THIRD ANGLE PROJECTION.

SCALE: 1 : 4

DRAWING NO.: GB3405VB

DWG SIZE: A

DRAWN BY: ARHA

DATE: 01/18/08

CHK'D: KLW

MAT'L: N/A