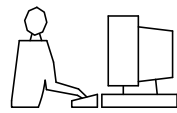


THIS IS A C.A.D. GENERATED DRAWING
DO NOT MAKE MANUAL REVISIONS TO MASTER.



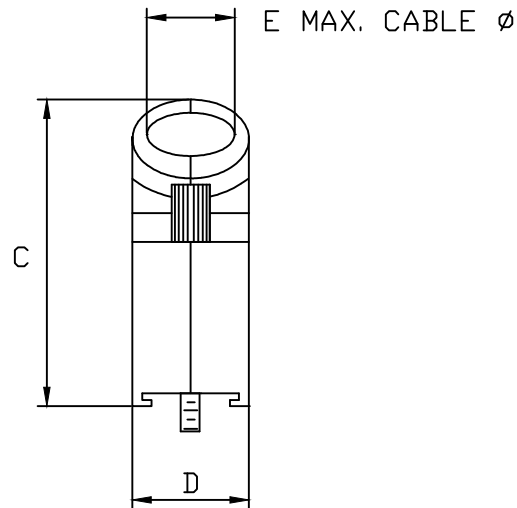
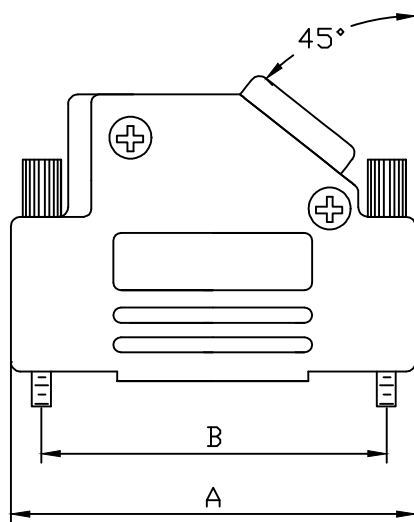
* UNLESS OTHERWISE SPECIFIED TOLERANCES
ON DECIMAL IS:

BACKSHELL KIT INCLUDES:

- (2)BACKSHELL HALVES
- (2)4-40 THUMBSCREWS
- (2)HOUSING SCREWS
- (1)SET OF COMPRESSION INSERTS-(9 POSITION~37 POSITION)
DIAMETERS:4mm(.157"),5mm(.197"),7mm(.276"),9mm(.351")
- (1)SET OF COMPRESSION INSERTS-(50 POSITION)
DIAMETERS:11mm(.433"),12.5mm(.492"),14mm(.551"),15mm(.591")

NOTE: 9 POSITION HAS ONLY 1 THUMBSCREW
(OPPOSITE CABLE ENTRY)
50 POSITION HAS 1 METAL CLAMP
AND 2 CLAMP SCREWS

DIMENSIONS(mm/in)					
SIZE	A ± 1.0 (± 0.04)	B ± 0.25 (± 0.01)	C ± 1.8 (± 0.07)	D ± 0.5 (± 0.02)	E
9	31.0	24.99	36.3	14.5	13.0
	1.22	0.984	1.43	0.57	0.51
15	39.5	33.32	40.3	14.5	13.0
	1.56	1.312	1.59	0.57	0.51
25	53.2	47.04	40.3	14.5	13.0
	2.09	1.852	1.59	0.57	0.51
37	69.7	63.50	40.3	14.5	13.0
	2.74	2.500	1.59	0.57	0.51
50	67.4	61.11	44.9	17.4	17.0
	2.65	2.406	1.77	0.69	0.67



ORDERING INFORMATON:

SIZE	P/N - KITTED	PRODUCT CODE
9-WAY	6560-0106-11	MHD45ZK-09-K
15-WAY	6560-0106-12	MHD45ZK-15-K
25-WAY	6560-0106-13	MHD45ZK-25-K
37-WAY	6560-0106-14	MHD45ZK-37-K
50-WAY	6560-0106-15	MHD45ZK-50-K

SIZE	P/N - BULK	PRODUCT CODE
9-WAY	6561-0106-11	MHD45ZK-09
15-WAY	6561-0106-12	MHD45ZK-15
25-WAY	6561-0106-13	MHD45ZK-25
37-WAY	6561-0106-14	MHD45ZK-37
50-WAY	6561-0106-15	MHD45ZK-50

MATERIAL: DIE CAST ZINC ALLOY
NICKEL PLATED
4-40 THUMBSCREWS:STEEL-Zn PLATED
HOOD SCREWS:STEEL-Zn PLATED
CLAMP:STEEL-NICKEL PLATED
CLAMP SCREWS:STEEL-Zn PLATED
COMPRESSION INSERTS:ABS UL RECOGNIZED
OPERATING TEMP:-40°C TO+120°C

THESE DRAWINGS AND SPECIFICATIONS ARE THE
PROPERTY OF MH CONNECTORS AND SHALL NOT BE
REPRODUCED, COPIED OR USED AS THE BASIS FOR
THE MANUFACTURE OR SALE OF APPARATUS WITHOUT
WRITTEN PERMISSION.

DRAWN
Johnny
DATE
11-24-15

APPROVED
VICTOR
DATE
11-24-15

SCALE
1 : 1
SHEET OF
1 OF 1
REV:
8.0

DRAWING No
MHD45ZK SERIES

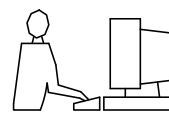


THIS SERIES FULLY CONFORMS TO THE
EUROPEAN UNION DIRECTIVES 2002/95/EC
AND 2002/96/EC FOR RoHS COMPLIANCY.

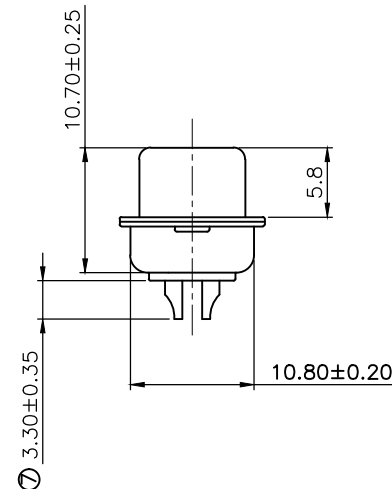
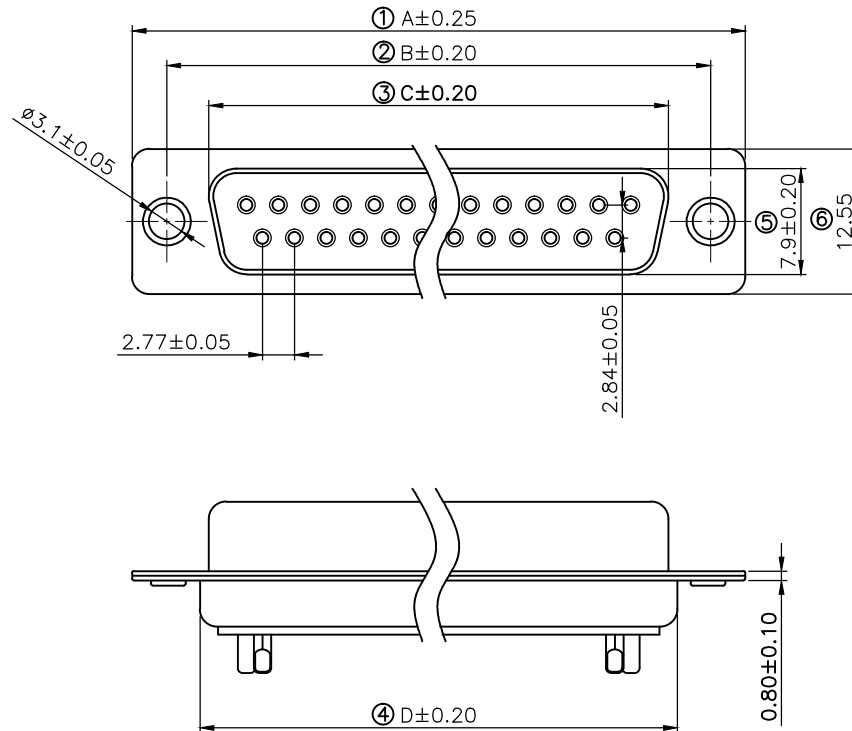


**MH CONNECTORS ,
DIVISION OF EDAC**

THIS IS A C.A.D. GENERATED DRAWING
DO NOT MAKE MANUAL REVISIONS TO MASTER.



* UNLESS OTHERWISE SPECIFIED TOLERANCES
ON DECIMAL IS: ANGLE $\pm 1^\circ$
.X ± 0.25
.XX ± 0.15



Remark:

1.SPECIFICATION:

Rated voltage:250V
Rates current:5AMP
Contact resistance:20M Ω MAX
Insulation resistance:1000M Ω MIN.at 500V DC
Withstand voltage:500V Per mintute
Temperature range:-55 -105 $^\circ$ C

2.MATERIAL:

Plastic:PBT+30% G.F (UL94V-0) BLACK
Terminal:brass ,tin-gold plated
Spcc shell:Spcc front shell is ni plated back shell is tin plated

PN	PIN	A	B	C	D
MHDB9SS	09	30.88	24.88	16.17	18.94
MHDB15SS	15	39.20	33.30	24.66	27.50
MHDB25SS	25	53.02	47.04	38.38	41.20
MHDB37SS	37	69.40	63.50	55.20	57.40

THESE DRAWINGS AND SPECIFICATIONS ARE THE PROPERTY OF MH CONNECTORS LTD. AND SHALL NOT BE REPRODUCED, COPIED OR USED AS THE BASIS FOR THE MANUFACTURE OR SALE OF APPARATUS WITHOUT WRITTEN PERMISSION.

DRAWN Johnny	DATE 07-16-12
-----------------	------------------

APPROVED DAMIEN	DATE 01-15-14
--------------------	------------------

SCALE 1:1	SHEET OF 1 OF 1	REV: 2.0
--------------	--------------------	-------------

DRAWING No MHDB SS



THIS SERIES FULLY CONFORMS TO THE EUROPEAN UNION DIRECTIVES 2002/95/EC AND 2002/96/EC FOR RoHS COMPLIANCY.



MH CONNECTORS LTD.