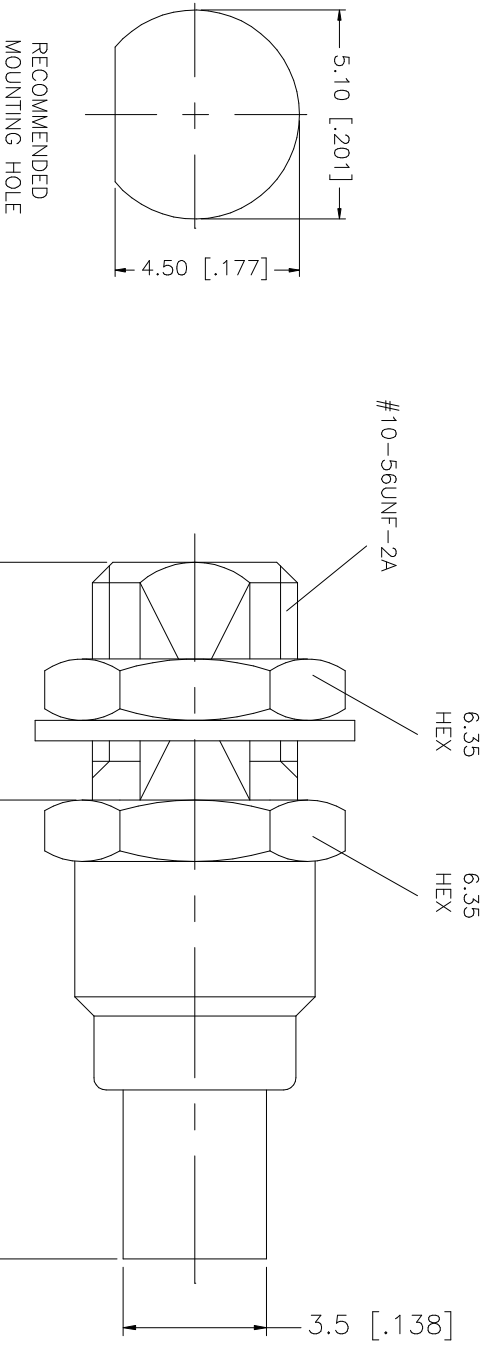


REV.	DATE	DESCRIPTION
NC	09/07/99	INITIAL RELEASE
A	12/15/05	UPDATE DRAWING FORMAT - MODIFY THREAD CALL OUT



QTY	FINISH	MATERIAL	DESCRIPTION
1	GOLD	BRASS	HEX NUT
1	GOLD	BRASS	LOCK WASHER
1	GOLD	BER. COPPER	CONTACT PIN
1	NATURAL	TEFLON	INSULATOR
1	GOLD	BRASS	BODY

APPROVALS	DATE
DRAWN G.R.S.	12/15/05
CHECKED	
ISSUED	
SHEET 1 OF 1	

PART DESCRIPTION	PART NO.
MMCX BULKHEAD JACK TO JACK ADAPTER	262130

UNLESS OTHERWISE SPECIFIED DIMENSIONS ARE IN MILLIMETERS DIMENSIONS IN PARENTHESIS ARE IN INCHES AND FOR CONVERSION PURPOSES ONLY.	UNLESS OTHERWISE SPECIFIED TOLERANCES FOR MILLIMETERS ARE:	UNLESS OTHERWISE SPECIFIED TOLERANCES FOR INCHES ARE:
	0.5 - 8mm ± 0.20mm	.020 - .315 = ± 0.007"
	8 - 30mm ± 0.40mm	.315 - 1.180 = ± 0.015"
	30 - 120mm ± 0.50mm	1.180 - 4.724 = ± 0.020"

DO NOT SCALE DRAWING	CAD FILE	DWG. NO.	REV.	SIZE	SCALE
	C:/262/262130.DWG	262130.DWG	A	A	NA

**Amphenol Connex**