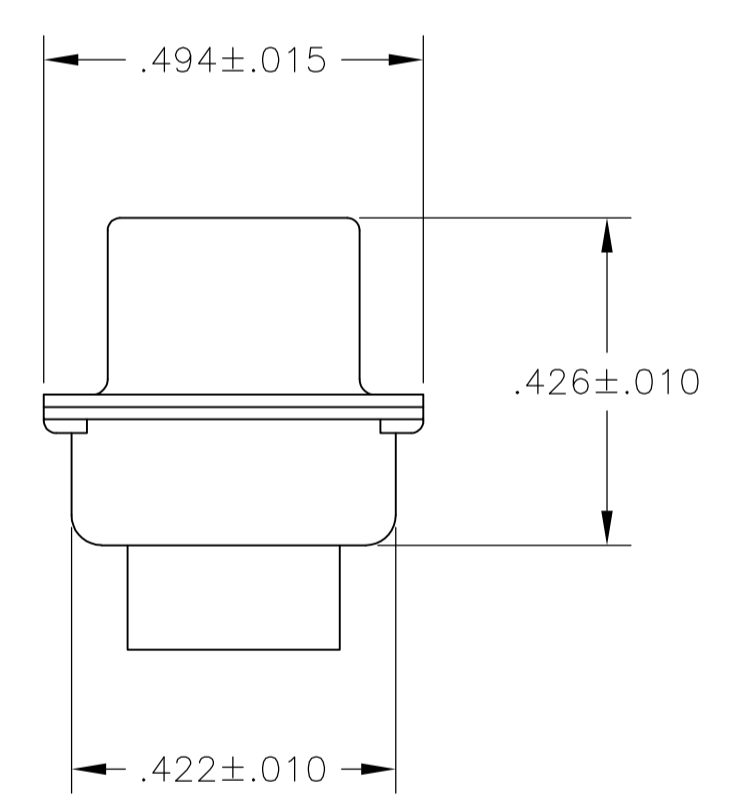
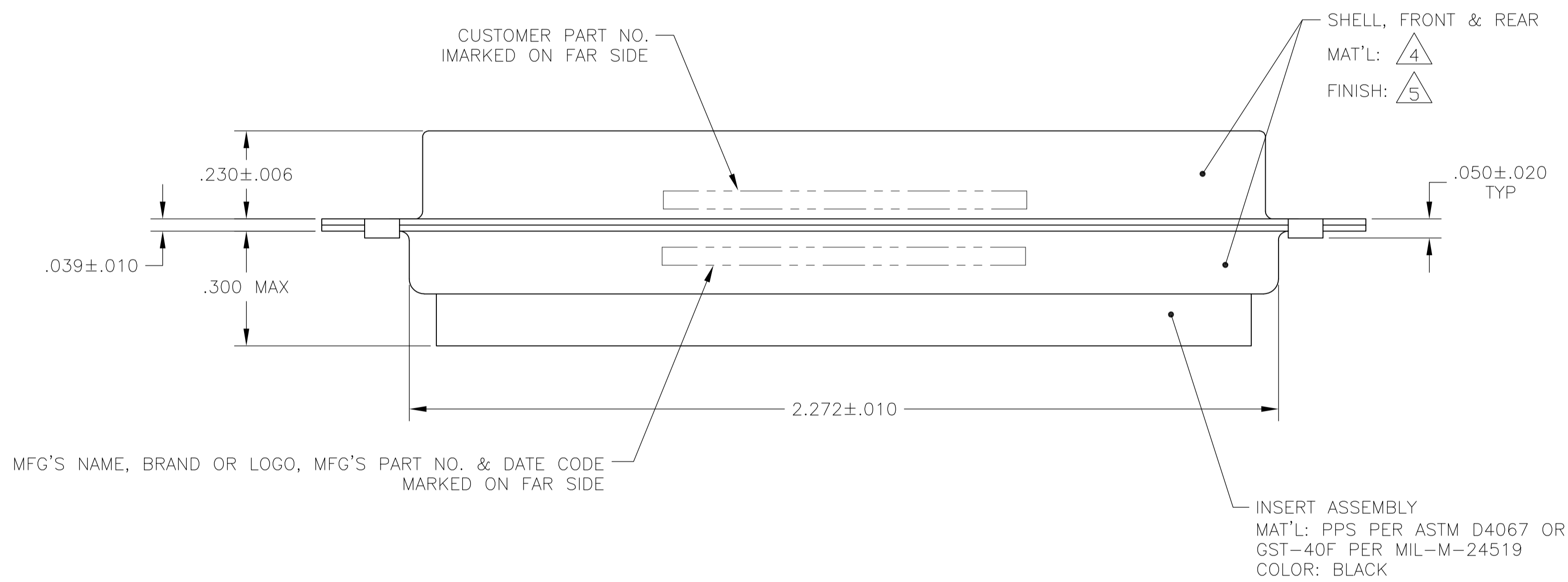
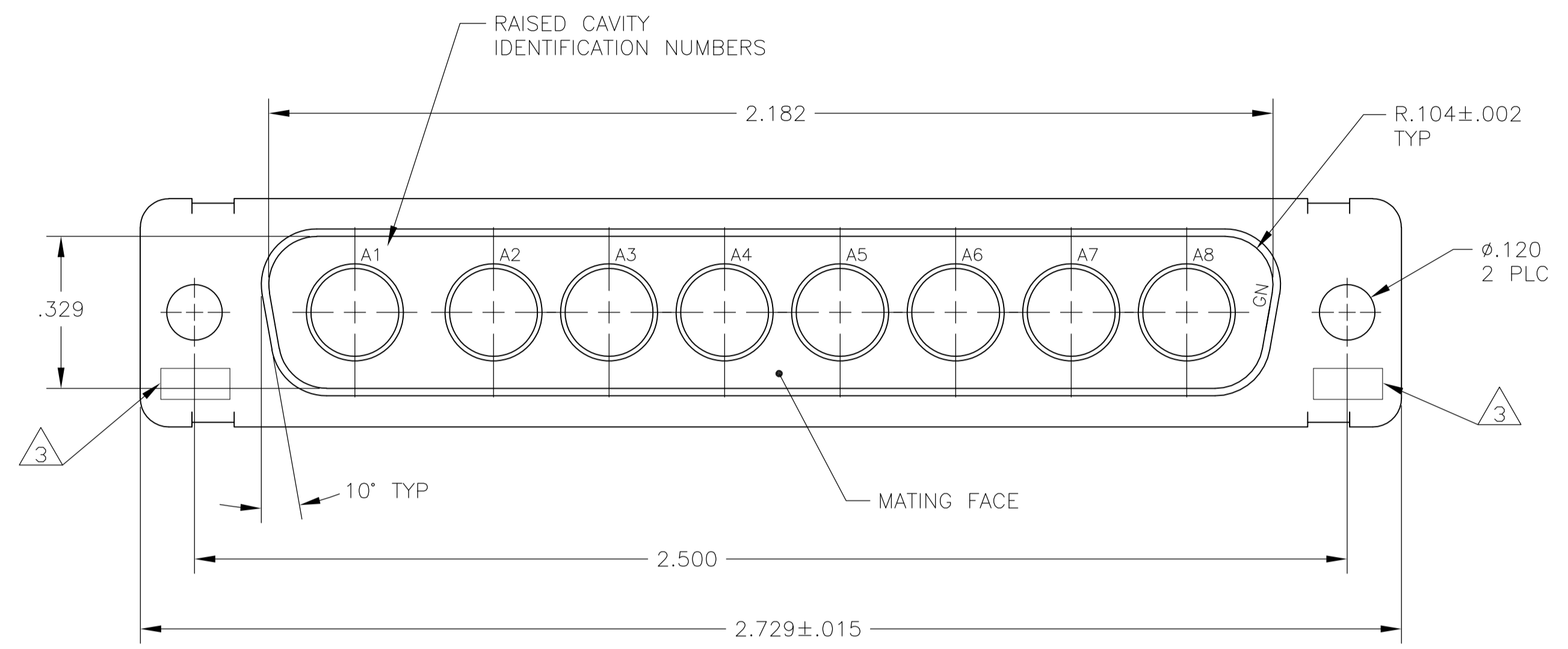


| LOC | | DIST | | REVISIONS | | | | |
|-----|----|------|-----|-----------|-------------|-----------|-----|------|
| DF | DO | REV | PER | ECO | DESCRIPTION | DATE | DWN | APVD |
| C | | | | 08-030008 | | 21JAN2009 | PK | RL |

1. THIS PLUG WILL MATE WITH ANY 8C8, SIZE 4 RECEPTACLE IN AMPLIMITE SERIES.
2. USE (8) SIZE 8 POWER, OR COAX PIN CONTACTS. CONSULT PRODUCT ENGINEERING FOR MORE DETAILS.
3. UL/CSA DESIGNATION STAMPED IN THIS AREA, OPTIONAL.
4. BRASS PER ASTM-B-36 AND MIL-C-50.
5. FINISH: PLATED GOLD PER ASTM-B-488, TYPE 3, CODE C, CLASS 1.25 OVER COPPER PLATE PER MIL-C-14550, CLASS IV.



| | |
|-------------------|-----------|
| B010950-0017 | 1883536-1 |
| CUSTOMER PART NO. | PART NO. |

| | | | | | |
|--|----------------|--------------------------|-------|--|---------------|
| THIS DRAWING IS A CONTROLLED DOCUMENT. | | DIN C.C. THOMAS 11-16-06 | | Tyco Electronics Corporation | |
| DIMENSIONS: INCHES | | CHK D.MILLER 11-17-06 | | Tyco Electronics Corporation Harrisburg, PA 17105-3608 | |
| TOLERANCES UNLESS OTHERWISE SPECIFIED: | | APP'D D.MILLER 11-17-06 | | NAME | |
| 0 PLC ± - | 1 PLC ± - | PRODUCT SPEC | | PLUG ASSEMBLY | |
| 2 PLC ± - | 3 PLC ± .005 | APPLICATION SPEC | | AMPLIMITE 8C8 | |
| 4 PLC ± - | ANGLES ± 0'30" | SIZE | | COAX MIX, SIZE 4, HI-TEMP | |
| MATERIAL | FINISH | WEIGHT | SCALE | DRAWING NO. | RESTRICTED TO |
| - | - | - | 4:1 | A1 00779 C=1883536 | - |
| CUSTOMER DRAWING | | | SHEET | 1 OF 1 | REV C |