

PART NO.	A79115-001	REV	ECO	DATE	APP
		E	102847	08-29-16	TLM

MATERIALS & SPECIFICATIONS

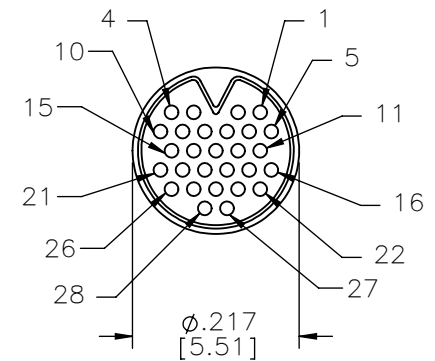
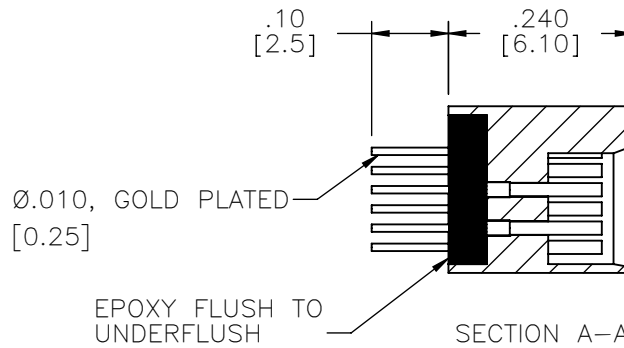
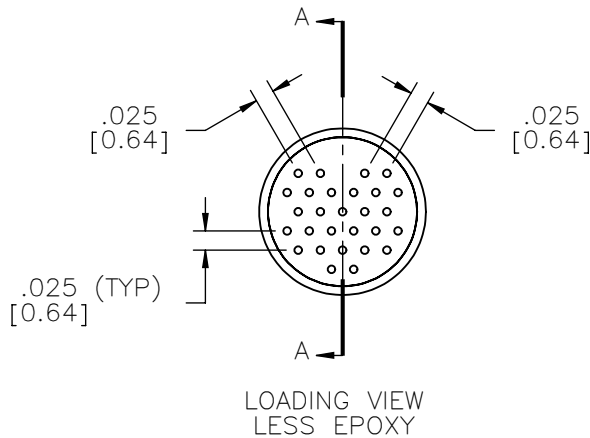
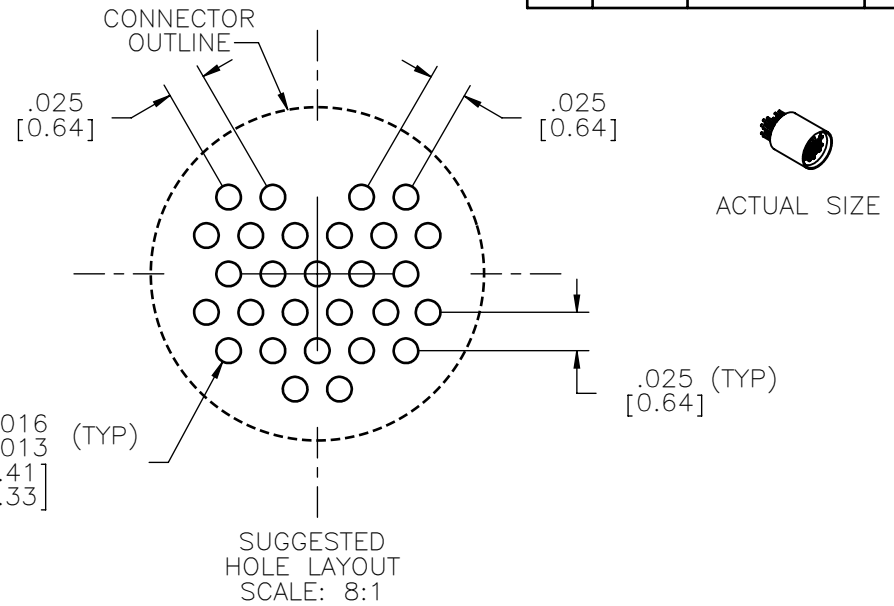
INSULATOR MATERIAL:
THERMOPLASTIC POLYMER PER MIL-DTL-32139

CONTACT MATERIAL:
COPPER ALLOY PER MIL-DTL-32139. GOLD PLATED PER ASTM B488, (HARD GOLD) TYPE II CODE C CLASS 1.27

TERMINATION:
GOLD PLATED PER ASTM B488, (HARD GOLD) TYPE II CODE C CLASS 1.27

CURRENT CAPACITY:
1 AMP MAX PER MIL-DTL-32139

CONTACT RESISTANCE:
71 MILLIOHMS (71 mV) MAX @ 1.0 AMPS PER MIL-DTL-32139



RoHS

CON SCTS	THIRD ANGLE	THIS DRAWING CONTAINS CONFIDENTIAL AND PROPRIETARY INFORMATION WHICH IS THE PROPERTY OF OMNETICS CONNECTOR CORP. THIS DOCUMENT MAY NOT, IN WHOLE OR IN PART, BE DUPLICATED, OR DISCLOSED FOR ANY PURPOSE, WITHOUT WRITTEN PERMISSION FROM OMNETICS CONNECTOR CORP.	DATE 01-22-09	TITLE: (28) SOCKET FEMALE NANO CIRCULAR CONNECTOR	OMNETICS CONNECTOR CORPORATION 7260 COMMERCE CIRCLE EAST MINNEAPOLIS, MN 55432 WWW.OMNETICS.COM	CAGE CODE 61873	
	-TOLERANCES-					DWTM. ACM	DWG NO. A79115-001
	UNLESS OTHERWISE NOTED					SHEET 1 OF 1	REV E
	DIMENSIONS IN INCHES					SCALE: 4:1	
	2 PL DEC ± .01						
	3 PL DEC ± .005						
	4 PL DEC ± .0005						
	ANGLES ± 1°						
	APP'D.						