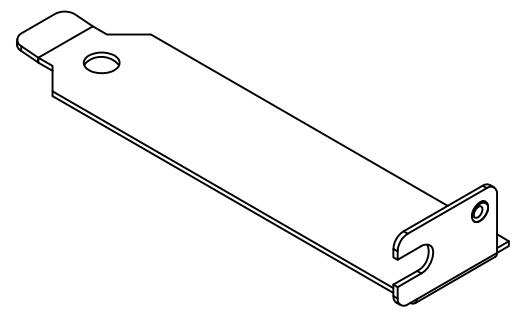
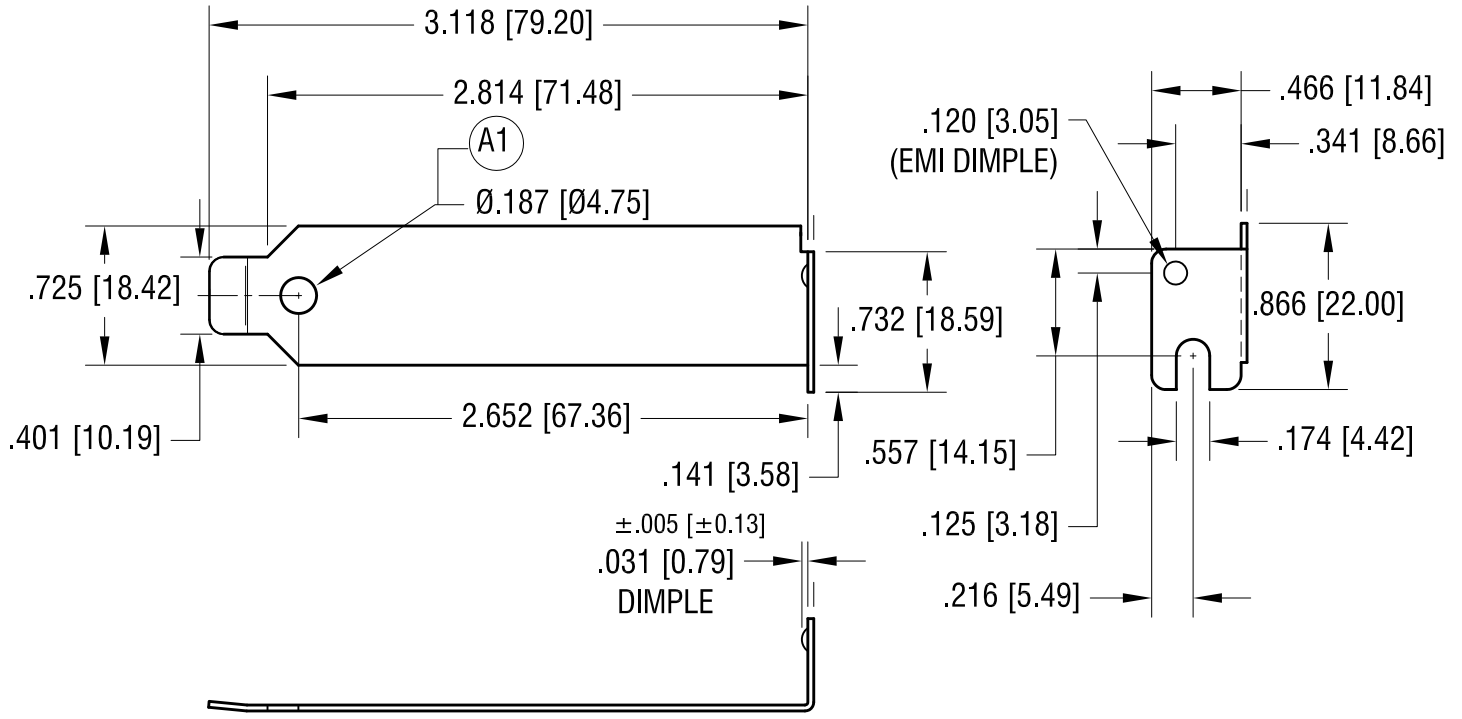


THIS DOCUMENT IS THE PROPERTY OF
KEYSTONE ELECTRONICS CORP. AND
SHALL NOT BE REPRODUCED, DISTRIBUTED
OR USED AS A BASIS FOR MANUFACTURE
WITHOUT PRIOR WRITTEN PERMISSION
FROM KEYSTONE ELECTRONICS CORP.



3.20.20	ADD HOLE (A1) CHANGE AS PER ECN 20-025	A
DATE	DESCRIPTION	REV.

KEYSTONE ELECTRONICS CORP.			
www.keyelco.com • NEW HYDE PARK, NY 11040 • Tel (516) 328-7500			
PART NAME COMPUTER CARD BRACKET			
MATERIAL .031 TH'K STEEL			
FINISH NICKEL PLATE		DRN BY NT	DATE 12.14.05
		APP'D LN	SCALE 1X
TOLERANCES DECIMAL ANGULAR ± 1° UNLESS OTHERWISE SPECIFIED	INCH [MM] ± .010 [± 0.25]	CODE C	DWG NO. 9230