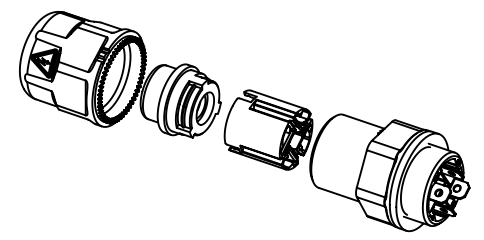
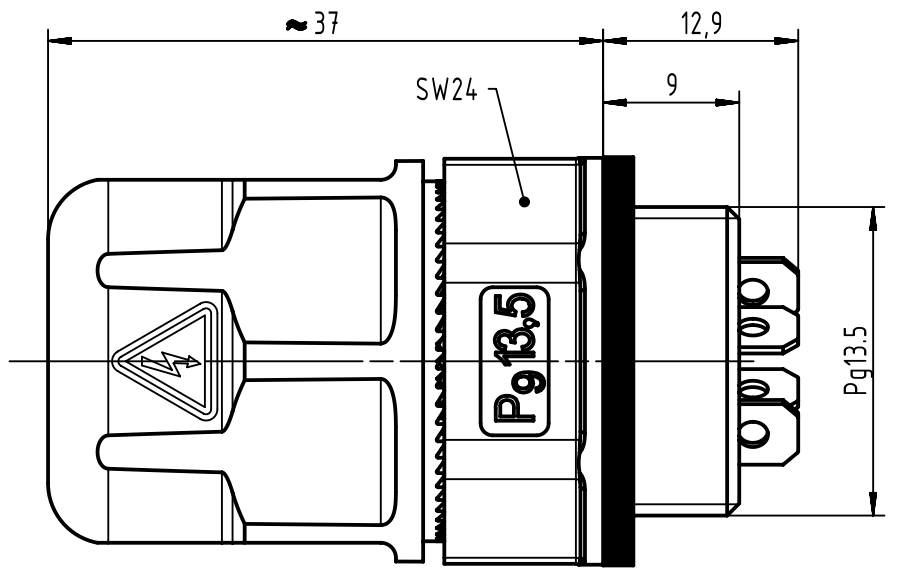
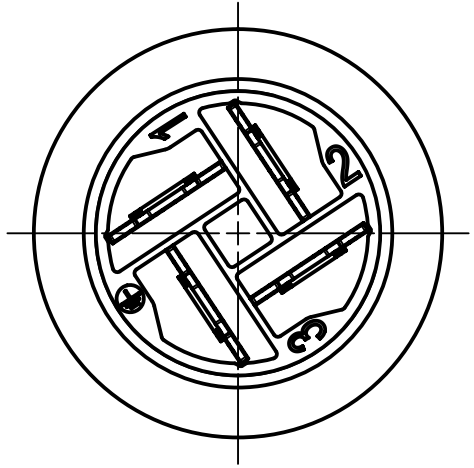
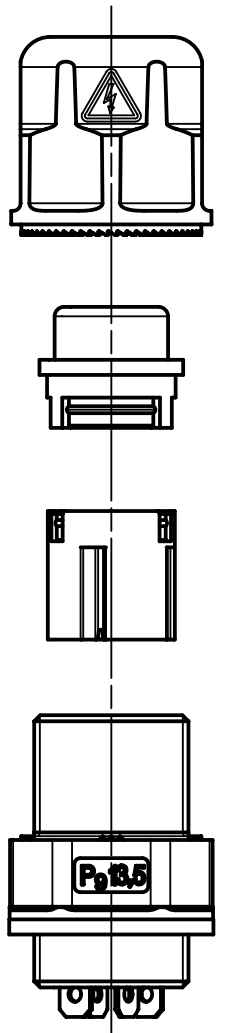



1 2 3 4 5 6

A
B
C
D

(1:1)



	All Dimensions in mm Original Size DIN A4		Scale 2:1	Free size tol.		Ref.	
	All rights reserved Department EC PD - DE		Created by DYCKC	Inspected by WELLMANN	Standardisation HOFFMANN	Sub.	
HARTING Electronics GmbH D-32339 Espelkamp		Title HARAX Pg13.5 PFT 4-pole with PE				Date 2013-11-21	State Final Release
		Type TB	Number 21011403023			Doc-Key / ECM-Nr. 100556108/UGD/004/A 500000068402	Rev. A Page 1/1