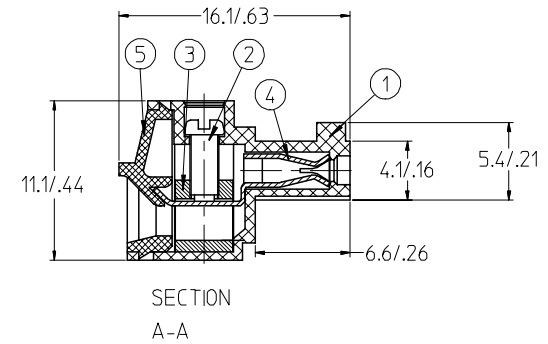
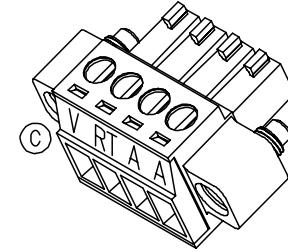
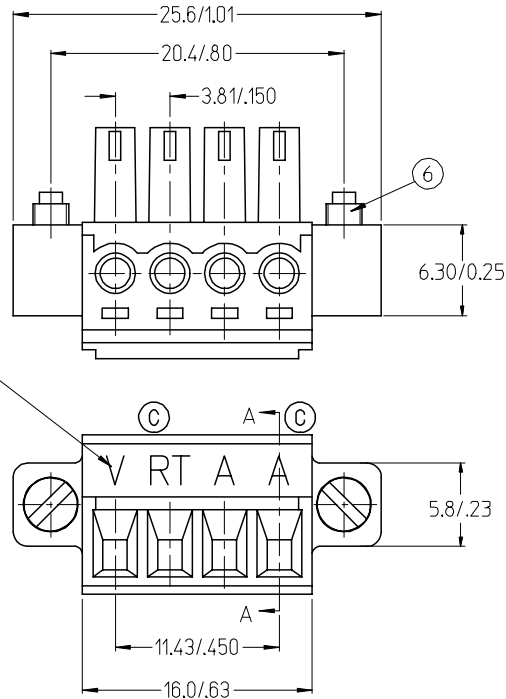
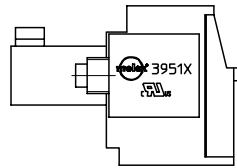


IMPRINT AS SHOWN. CHARACTERS
TO BE CENTERED ON EACH CIRCUIT.
FONT: ROMAN D
FONT HEIGHT: 1.5/06



SPECIFICATIONS:

1. MATERIAL:
 - (1). BODY: PA66 (UL94, V-0)
 - (2). SCREW: ZINC PLATED STEEL
 - (3). CAGE: NICKEL PLATED BRASS
 - (4). TERMINAL MATERIAL: PHOSPHOR BRONZE
TERMINAL FINISH: 3 μ m (118 μ in) MIN MATTE TIN
OVER 2 μ m (79 μ in) MIN NICKEL
 - (4). CAGE: NICKEL PLATED BRASS
 - (5). COVER: PA66 (UL94, V-0)
 - (6). SCREW: ZINC PLATED STEEL
2. WIRE RANGE: 24-16 AWG
3. MAX TORQUE: 2 In-Lbs.
4. ELECTRICAL RATING: 300V, 8A.
5. WIRE STRIP LENGTH: 6.5mm.
6. OPERATING TEMPERATURE: -40°C TO +105°C.
7. INSULATION RESISTANCE: DC 500V, 500 MEGOHMS.
8. DIELECTRIC WITHSTAND: AC 2500V FOR 1 MINUTE.
9. BREAKDOWN VOLTAGE: 4000V.
10. CONTACT RESISTANCE: <10 MILLIOHMS.
11. ASSEMBLY IS ROHS COMPLIANT

EDIT IMPRINT EC NO: ETC2007-0438 DRWN: CLYORK 2007/07/12 CHKD: JMACNEIL 2007/07/12 APPR: JMACNEIL 2007/07/13	QUALITY SYMBOLS ▽=0 ▽=0	GENERAL TOLERANCES (UNLESS SPECIFIED)		DIMENSION STYLE	SCALE	DESIGN UNITS	THIRD ANGLE PROJECTION		
			mm	INCH	MM/IN	3:1	INCH		
		4 PLACES	± ---	± ---	DRAWN BY	DATE	TITLE		
		3 PLACES	± ---	± .005	C. YORK	2007/04/16	3.81MM, EURO PLUG, RIGHT ANGLE, MTG ENDS, SP. IMPRINT V,RT,A,A		
	2 PLACES	± 0.13	± .01	CHECKED BY	DATE				
	1 PLACE	± 0.3	± ---	J. MACNEIL	2007/04/16				
	ANGULAR ± 2 °		APPROVED BY	DATE					
	DRAFT WHERE APPLICABLE MUST REMAIN WITHIN DIMENSIONS		J. MACNEIL	2007/04/16					
	MATERIAL NO.	395190007		DOCUMENT NO.		SD-39519-001			
	SIZE	B		SHEET NO.		1 OF 1			
				THIS DRAWING CONTAINS INFORMATION THAT IS PROPRIETARY TO MOLEX INCORPORATED AND SHOULD NOT BE USED WITHOUT WRITTEN PERMISSION					