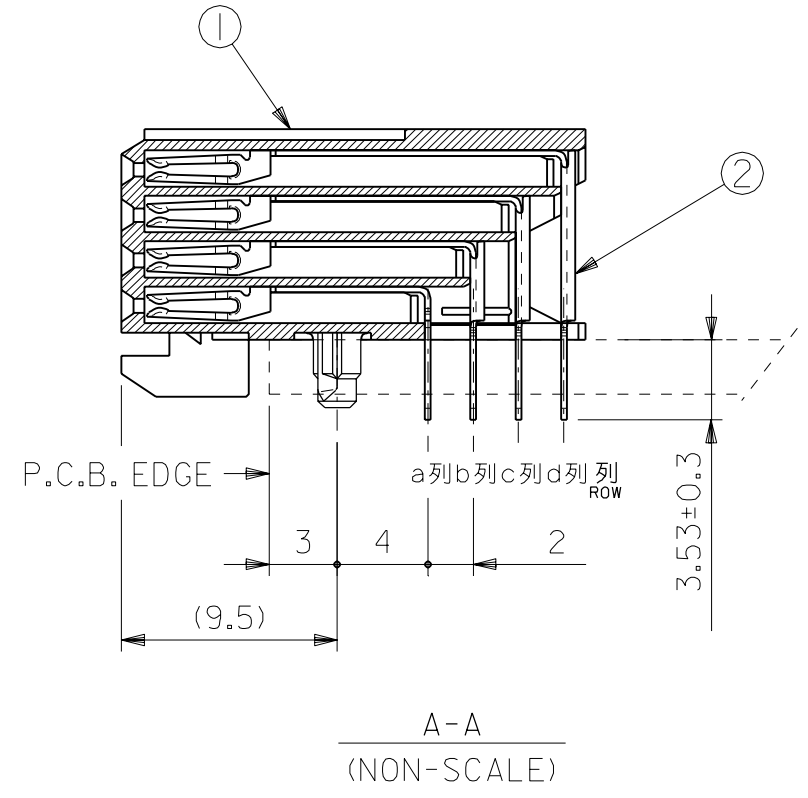
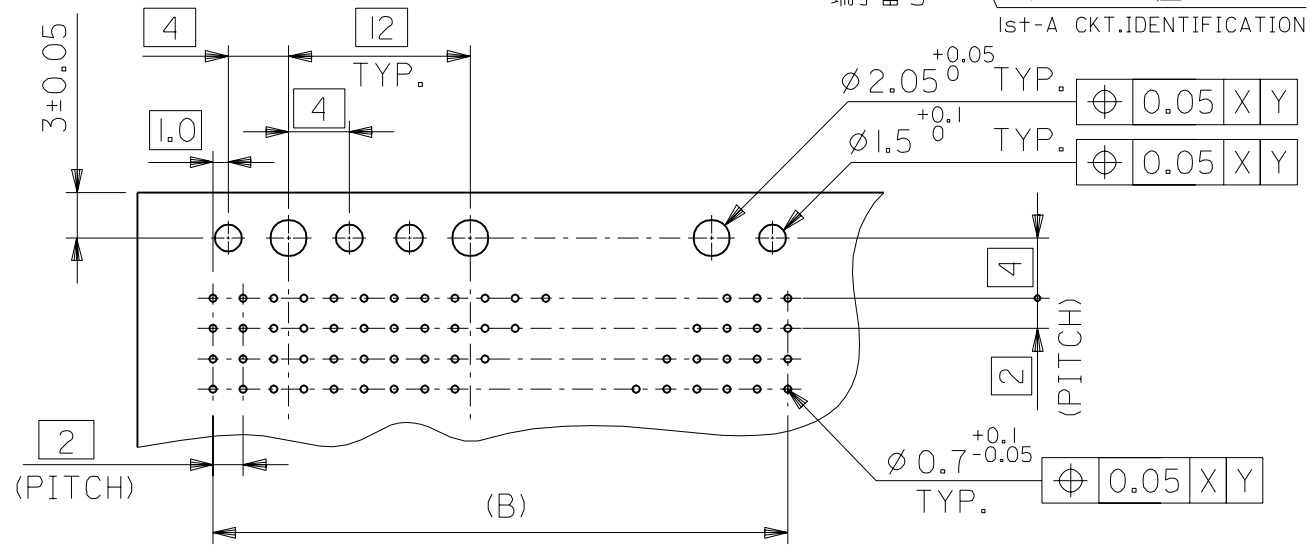
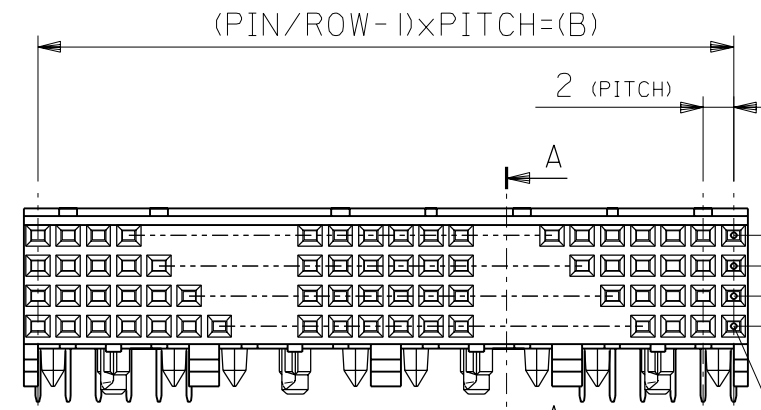
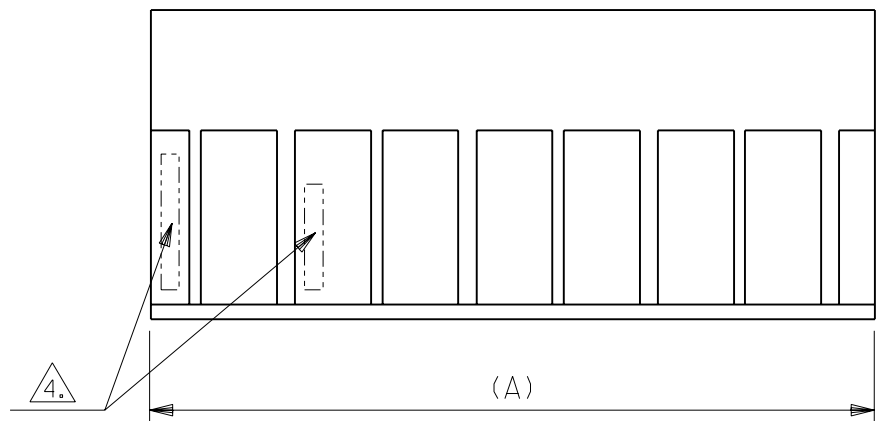


DWG. NO.
SD-54867-004

番号 No.	部品 PART NAME	材質 MATERIAL	仕上げ FINISH
①	リセプタクル ハウジング RECEPTACLE HOUSING	液晶ポリマー、ガラス充填、自然色(白)、UL94V-0 LIQUID CRYSTAL POLYMER, GLASS FILLED, NATURAL(WHITE), UL94V-0	—#—
②	リセプタクル ターミナル RECEPTACLE TERMINAL	リン青銅 PHOSPHOR BRONZE	△1.



- 注記
NOTE :
- △1. ターミナル めっき仕様
TERMINAL PLATING
 金めっき: 0.38 μ m MIN. (接点部)
 GOLD: 0.38 μ m MIN. (CONTACT AREA)
 半田めっき: 1.0 μ m MIN. (半田付け部)
 TIN-LEAD: 1.0 μ m MIN. (SOLDER AREA)
 ニッケルメッキ: 2.0 μ m MIN. (下地めっき)
 NICKEL: 2.0 μ m MIN. (UNDER PLATING)
 - 2. 推奨基板厚: t=2.4mm
RECOMMENDED P.C.B. THICKNESS :
 - 3. 適合プラグ: 53901-***4, 55222-***4, 55089-***4
APPLICABLE PLUG :
 - △4. 製品番号及びロットナンバー
MATERIAL NO. & LOT NO.

94	95.98	54867-1920	192
46	47.98	54867-0960	96
22	23.98	54867-0480	48
10	11.98	54867-0240	24
B	A	MATERIAL NO.	PIN

DO NOT SCALE DRAWING

REV				MATERIAL 材料	GENERAL TOLERANCES: (UNLESS SPECIFIED) 一般公差	SCALE 2-1	DESIGN UNITS <input checked="" type="checkbox"/> mm <input type="checkbox"/> INCH	PROJECTION <input checked="" type="checkbox"/> FIRST ANGLE	DIMENSIONS: <input type="checkbox"/> mm <input type="checkbox"/> INCH <input checked="" type="checkbox"/> mm ONLY	SHT	REV
8	7	6	5	4	3	2	1	MODEL NO. : 54867-***0 TITLE: "MFB" B/B CONN. (FB+) REC. ASS'Y 4ROWS DIP MOLEX INCORPORATED MATERIAL NO. SEE TABLE DRAWING NO. SD-54867-004 SHEET NO. 1 OF 1 THIS DRAWING CONTAINS INFORMATION THAT IS PROPRIETARY TO MOLEX INCORPORATED AND SHOULD NOT BE USED WITHOUT WRITTEN PERMISSION.			
DRWN: CH'K: APPR:	DRWN: CH'K: APPR:	DRWN: CH'K: APPR:	DRWN: CH'K: APPR:	DRWN: CH'K: APPR:	DRWN: CH'K: APPR:	DRWN: CH'K: APPR:	DRWN: CH'K: APPR:	DRWN: CH'K: APPR:	DRWN: CH'K: APPR:	DRWN: CH'K: APPR:	DRWN: CH'K: APPR:
8	7	6	5	4	3	2	1	EN-02J(097) MXJ-54			

SD-54867-004.S01