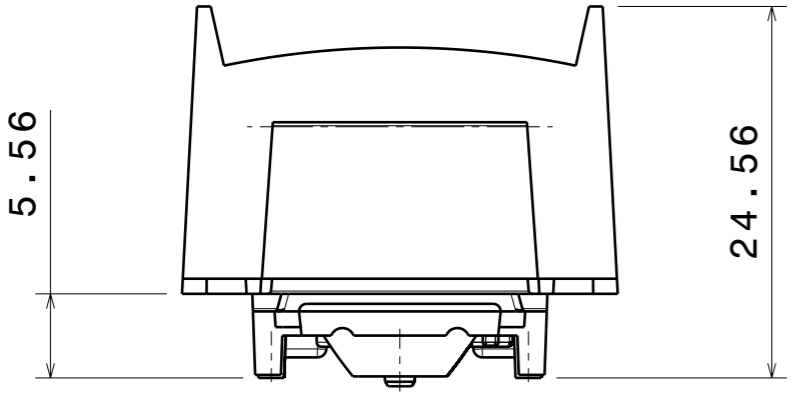
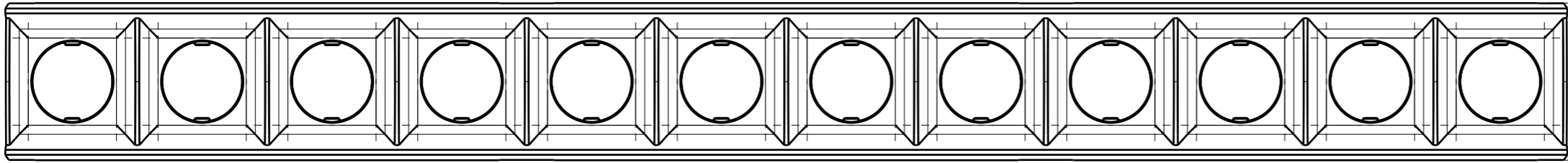
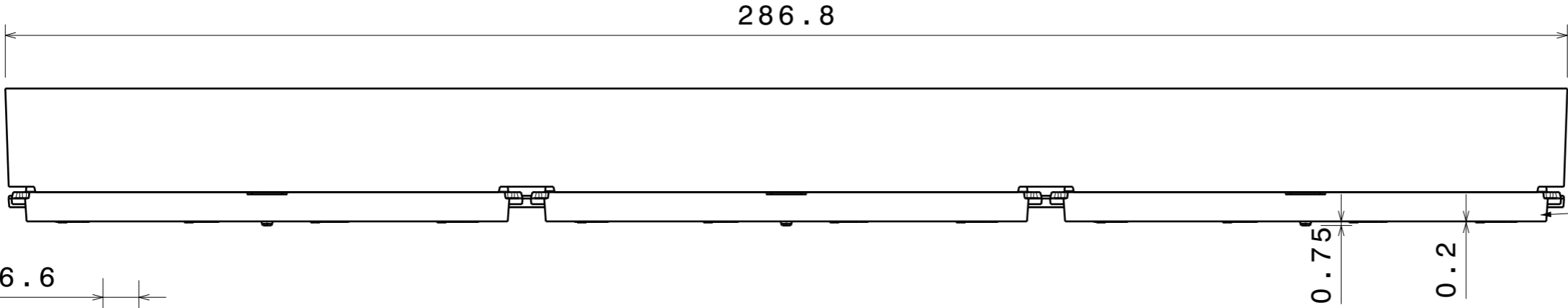
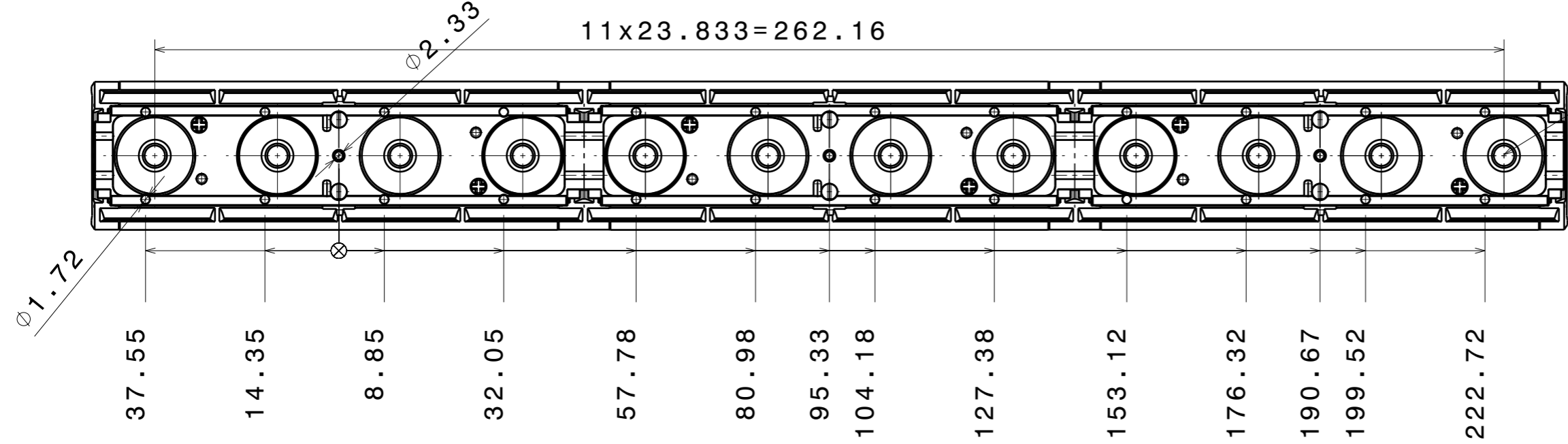


11x23.833=262.16

Led middle position

Isometric view (1:2)



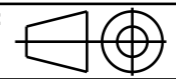
Scale 2:1

INDEX	PART NO	DESCRIPTION	MATERIAL	COLOUR
1	C14446	FLORENTINA-SHD	PC Makrolon 2407	black
2	C14445	FLORENTINA-HLD	PC Makrolon 2407	black
3	C12336	TINA2-SS(12pcs)	PMMA	clear

Tolerances if not otherwise shown
According to DIN ISO 2768-1
Linear measures:
up to 30mm class M, otherwise class C
According to DIN ISO 2768-2
Form and position: class L

LEDiL Ledil Oy
Salorankatu 10
FIN 24240 SALO
Finland

THIRD ANGLE PROJECTION:



DRAWING TITLE
CC14999_FLORENTINA-SS

This drawing is the property of LEDiL Oy. It may not be reproduced, copied or communicated without a written agreement with LEDiL Oy.

SIZE	PART NUMBER
A3	CC14999

SCALE	1:1	WEIGHT	69,3 g	SHEET	1/1
-------	-----	--------	--------	-------	-----