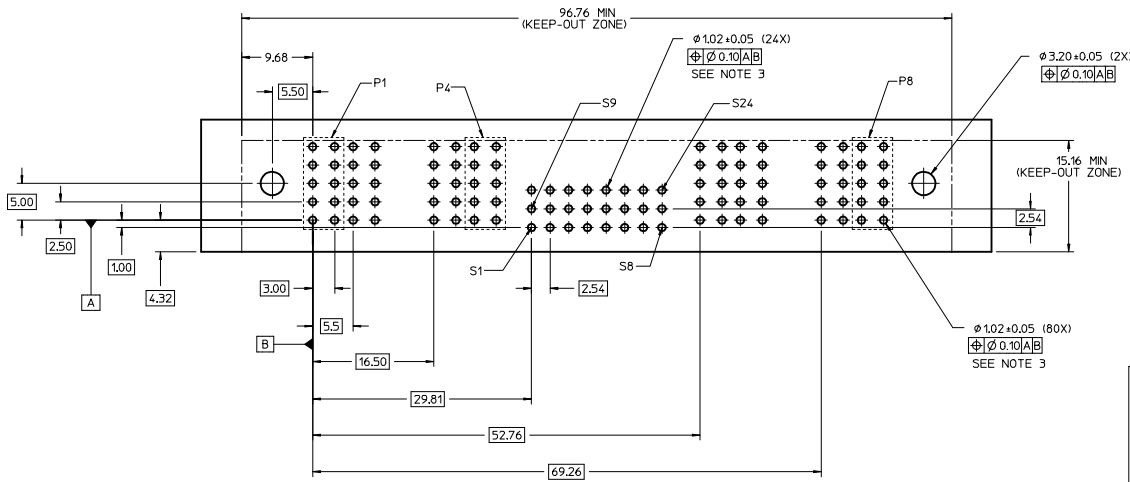


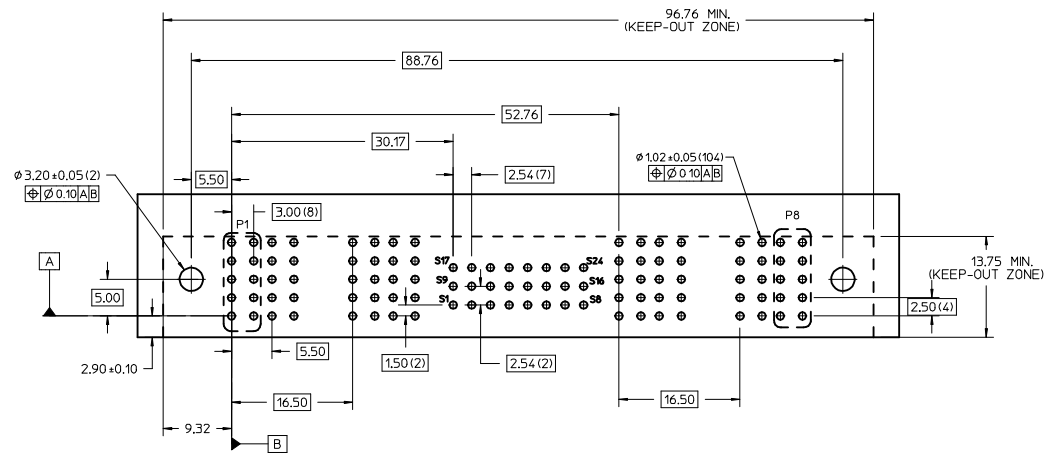
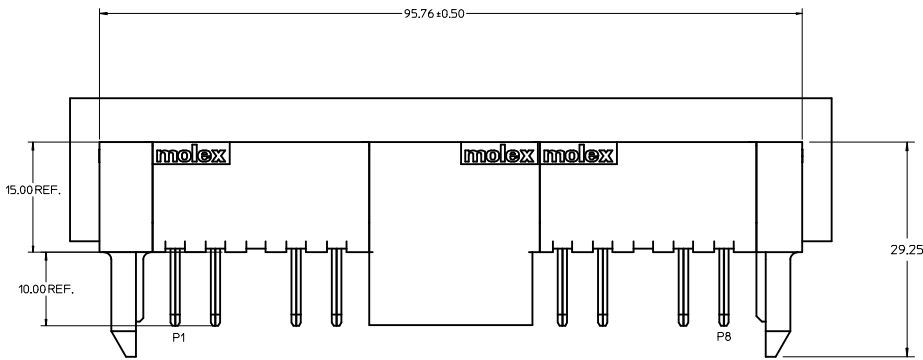
MATING PROFILE
(SHOWN MATED TO PLUG ASSY 46437-1069)



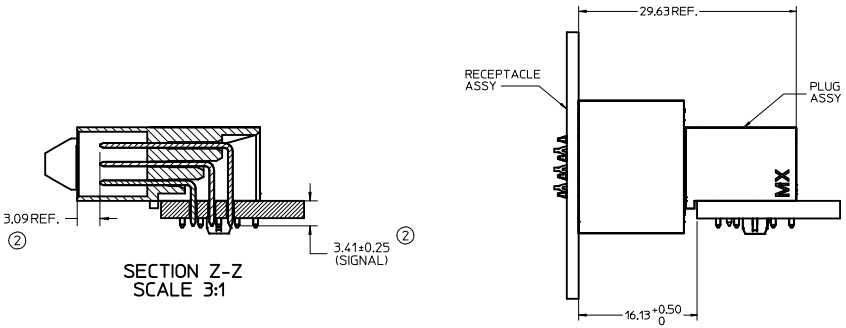
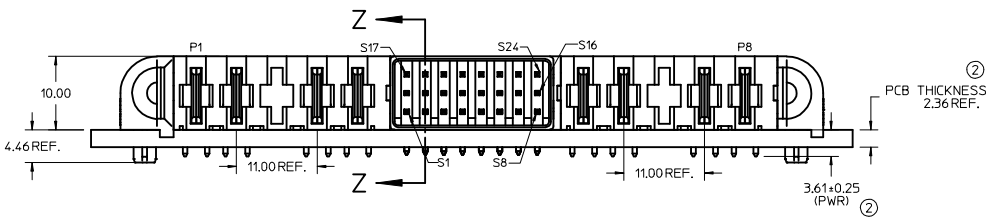
- NOTES:
- MATERIAL:
 - HOUSINGS: LCP UL94 V-0, COLOR: BLACK
 - TERMINALS: COPPER ALLOY
 - PLATING: 127 MICROMETER (50 MICRONINCH) NICKEL OVERALL WITH 2.54 MICROMETER (100 MICRONINCH) SELECTIVE TIN ON TAILS AND 0.762 MICROMETER (30 MICRONINCH) SELECTIVE GOLD ON CONTACT AREA
 - PACKAGING: ASSEMBLIES TO BE TRAY PACKED PER PACKAGING SPEC: TBD
 - PLATED THRU HOLE SIZE, REFER TO PS-46436-100 FOR DETAILS
 - PRODUCT SPEC: PS-46436-100
 - APPLICATION SPEC: AS-46436-100
 - PRODUCT TO MEET RoHS REQUIREMENTS
 - ASSEMBLY MATES WITH PLUG ASSEMBLY P/N 46437-1069
 - TAIL DESIGN: SOLDER TAIL
 - POWER CONTACTS ARE LUBRICATED

INITIAL RELEASE EC NO: LCP2012-4338 DRAWN BY: JOUILLES 2012/07/05 CHYK/BPISZCZOR 2012/07/05 APPR: APATEL 2012/10/18	QUALITY SYMBOLS	GENERAL TOLERANCES (UNLESS SPECIFIED)	DIMENSION STYLE	SCALE	DESIGN UNITS	THIRD ANGLE PROJECTION
	▽=0	mm INCH	MM ONLY	3:1	METRIC	☉
	▽=0	4 PLACES ± ---	DRAWN BY: JOUILLES	DATE: 2012/07/05	TITLE: RECEPTACLE ASSY G-4DC(V)-24S-4DC(V)-G TEN60 MATED SET	
	▽=0	3 PLACES ± ---	CHECKED BY: BPISZCZOR	DATE: 2012/07/05	moLEX	
		ANGULAR ±1/2°	MATERIAL NO. 46436-1069	DOCUMENT NO. SD-46436-1069	SHEET NO. 1 OF 1	
		DRAFT WHERE APPLICABLE MUST REMAIN WITHIN DIMENSIONS	THIS DRAWING CONTAINS INFORMATION THAT IS PROPRIETARY TO MOLEX INCORPORATED AND SHOULD NOT BE USED WITHOUT WRITTEN PERMISSION			

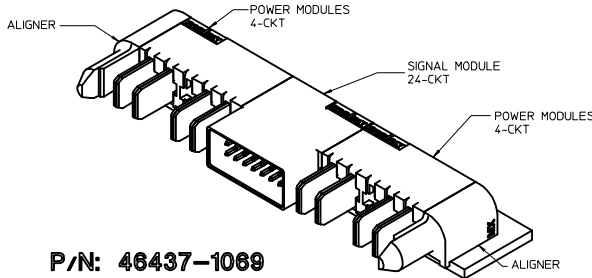
20 19 18 17 16 15 14 13 12 11 10 9 8 7 6 5 4 3 2 1



RECOMMENDED PCB LAYOUT AND KEEP-OUT ZONE



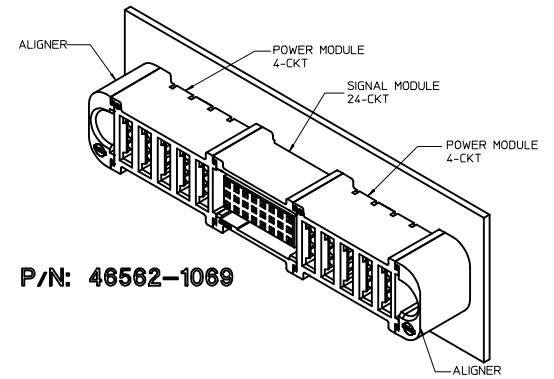
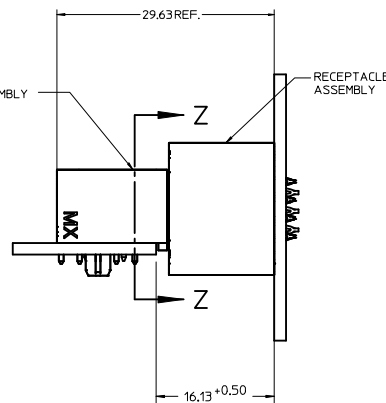
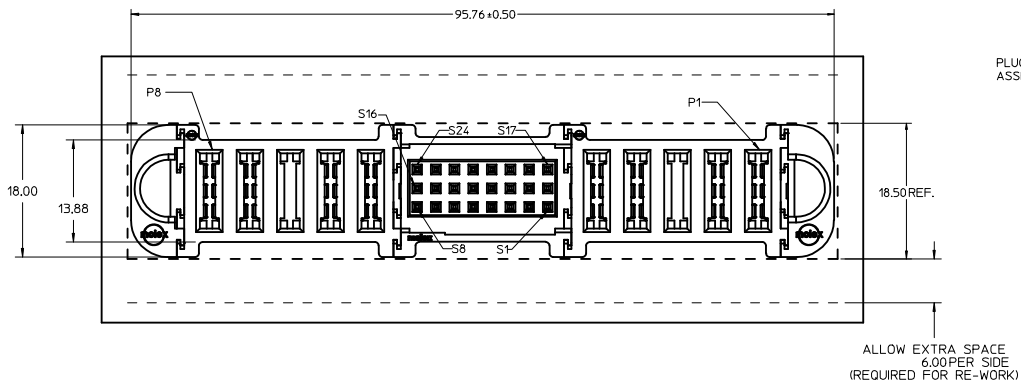
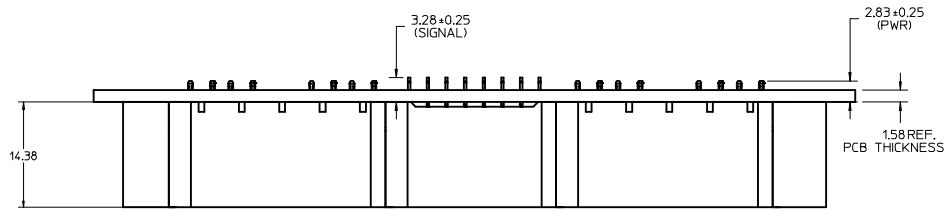
- NOTES:
- MATERIAL:
 - HOUSINGS: LCP UL94 V-0, COLOR BLACK.
 - TERMINALS: COPPER ALLOY
 - PLATING: .00127/0.00050 NICKEL OVERALL WITH 0.00254/0.000100 SELECTIVE TIN ON SOLDER TAILS AND 0.000762/0.000030 SELECTIVE GOLD ON CONTACT AREA.
 - PACKAGING: ASSEMBLIES TO BE TRAY PACKED PER PACKAGING SPEC PK-46437-XXX.
 - PRODUCT SPEC: PS-46436-100.
 - APPLICATION SPEC: AS-46436-100.
 - PRODUCT TO MEET RoHS REQUIREMENTS.
 - ASSEMBLY MATES TO MOLEX VERTICAL RECEPTACLE ASSEMBLY P/N: 46562-1069.



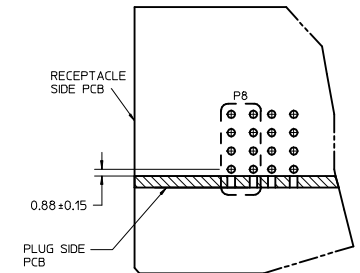
P/N: 46437-1069

LONGER TAILS EC NO: UCP2009-2085 2009/03/04 DRWNR:KOSTIC 2009/03/04 CHKD: APPR:APATEL 2009/03/10 REV DESCRIPTION	QUALITY SYMBOLS	GENERAL TOLERANCES (UNLESS SPECIFIED)	DIMENSION STYLE	SCALE	DESIGN UNITS	THIRD ANGLE PROJECTION
		mm INCH	MM ONLY	2:1	METRIC	
	4 PLACES ± --- ± ---	mm INCH	DRAWN BY	DATE	TITLE	
	3 PLACES ± --- ± ---	mm INCH	BKOSTIC	2008/08/07	RA PLUG ASSY	
	2 PLACES ± 0.25 ± 0.10	mm INCH	CHECKED BY	DATE	TEN50 POWER FAMILY	
	1 PLACE ± 0.25 ± ---	mm INCH	KOSTIC	2008/05/16	4P-24S-4P	
	ANGULAR ± 1/2°	mm INCH	APPROVED BY	DATE	MOLEX INCORPORATED	
	DRAFT WHERE APPLICABLE MUST REMAIN WITHIN DIMENSIONS		PATEL		MATERIAL NO. 46437-1069 DOCUMENT NO. SD-46437-169 SHEET NO. 1 OF 1	
			THIS DRAWING CONTAINS INFORMATION THAT IS PROPRIETARY TO MOLEX INCORPORATED AND SHOULD NOT BE USED WITHOUT WRITTEN PERMISSION			

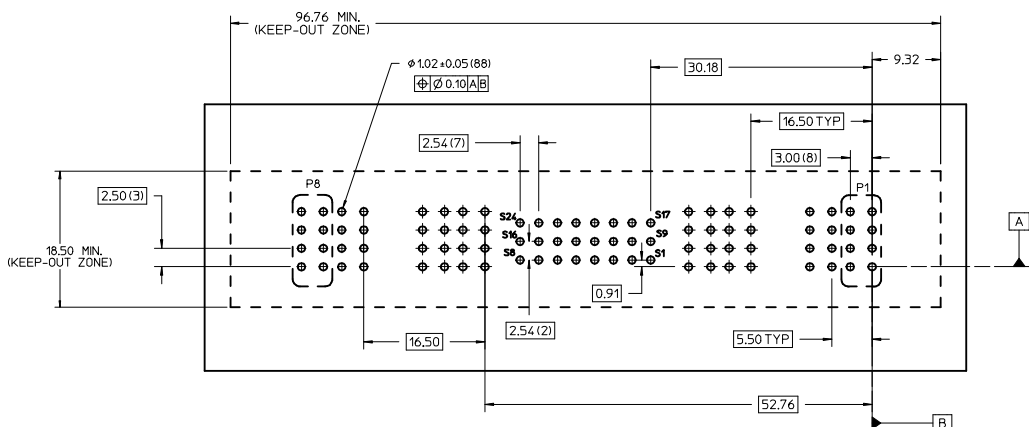
19 18 17 16 15 14 13 12 11 10 9 8 7 6 5 4 3 2 1



P/N: 46562-1069



PARTIAL SECTION Z-Z
SCALE 3:1



RECOMMENDED PCB LAYOUT AND KEEP-OUT ZONE

NOTES:

1. MATERIAL:
-HOUSINGS: LCP UL94 V-0, COLOR: BLACK.
-TERMINALS: COPPER ALLOY.
-PLATING: 0.000127/0.000050 NICKEL OVERALL WITH 0.00254/0.00100 SELECTIVE TIN ON COMPLIANT PINS.
AND 0.000762/0.000030 SELECTIVE GOLD ON CONTACT AREA.
2. PACKAGING ASSEMBLIES TO BE TRAY PACKED PER PACKAGING SPEC PK-46562-XXX.
3. PRODUCT SPEC: PS-46436-100.
4. APPLICATION SPEC: AS-46436-100.
5. PRODUCT TO MEET ROHS REQUIREMENTS.
6. ASSEMBLY MATES WITH PLUG ASSEMBLY, P/N 46437-1069.

PRELIMINARY IEC NO: LCP2009-2085 DRAWN BY: BKOSTIC CHYK: 2009/03/04 APPR: APATEL 2009/03/10	QUALITY SYMBOLS	GENERAL TOLERANCES (UNLESS SPECIFIED)	DIMENSION STYLE	SCALE	DESIGN UNITS	THIRD ANGLE PROJECTION
		mm INCH	MM ONLY	3:1	METRIC	
		4 PLACES ± --- ± --- 3 PLACES ± --- ± .010 2 PLACES ± 0.25 ± .010 1 PLACE ± 0.25 ± --- ANGULAR ± 1/2°	DRAWN BY DATE BKOSTIC 2008/08/07 CHECKED BY DATE BKOSTIC 2008/05/16 APPROVED BY DATE APATEL	TITLE	VERT. RECEPT ASSY 4P-24S-4P TEN60 POWER FAMILY	
	DRAFT WHERE APPLICABLE MUST REMAIN WITHIN DIMENSIONS	MATERIAL NO. 46562-1069	DOCUMENT NO. SD-46562-169	MOLEX INCORPORATED		SHEET NO. 1 OF 1