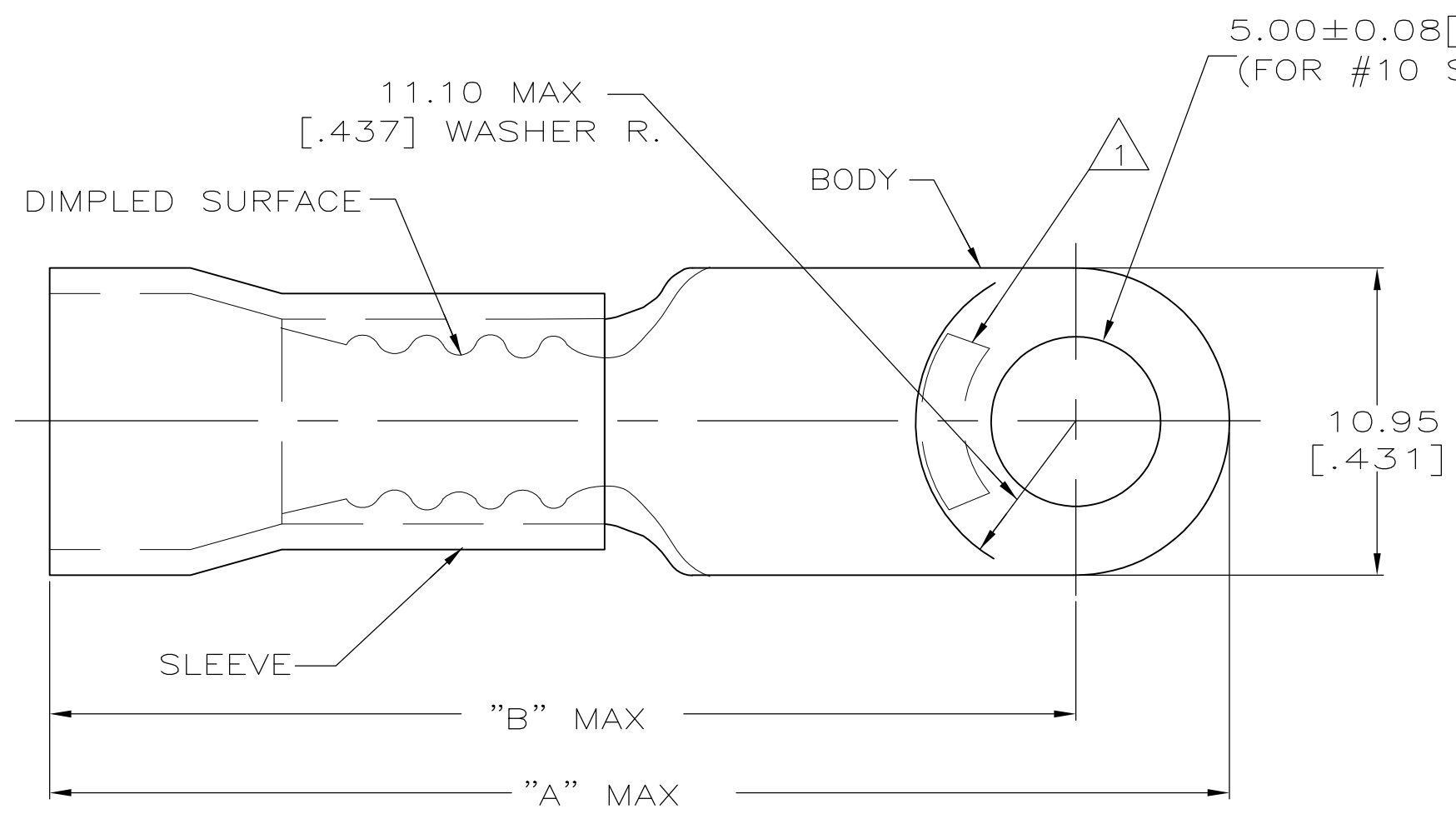


THIS DRAWING IS UNPUBLISHED. RELEASED FOR PUBLICATION  
 © COPYRIGHT - By - ALL RIGHTS RESERVED.

LOC	DIST	REVISIONS					
G	14	P	LTR	DESCRIPTION	DATE	DWN	APVD
			R3	REVISED PER ECO-11-004587	07APR11	RK	HMR



<b>AMP</b> WIRE RANGE	<b>RW</b> FILE E13288	<b>LR7189</b> Certified
8 AWG STRANDED	8 AWG STRANDED	8 AWG STRANDED

- ① STAMP AMP 8\* LOCATE APPROX AS SHOWN
- 2 TONGUE MATERIAL THK 1.02±0.08[.040±.003]
- 3 SEE TABLE FOR WIRE INSULATION DIA MAX
- 4 TAPE ITEMS ARE ON 30.48[1.200] CENTERS

9.91 [.390]	33.99 [1.338]	39.52 [1.556]	100	LOOSE PC	52263-5
8.38 [.330]	34.49 [1.358]	40.03 [1.576]	500	ON TAPE	52263-4
9.14 [.360]	33.99 [1.338]	39.52 [1.556]			52263-2
8.38 [.330]	34.49 [1.358]	40.03 [1.576]	100	LOOSE PC	52263-1
9.14 [.360]	33.99 [1.338]	39.52 [1.556]			52263
WIRE INSULATION DIA	"B"	"A"	QTY	PACKAGE TYPE	PART NO

<b>AMP INCORPORATED CUSTOMER SERVICE SYSTEMS</b>		<b>MAX RECOMMENDED OPERATING TEMPERATURE:</b> 105° C
FOR ADDITIONAL PRODUCT INFORMATION OR COPIES OF DRAWINGS AND TECHNICAL DOCUMENTS	PRODUCT INFORMATION CENTER 1-800-522-6752	<b>VOLTAGE RATING:</b> 600 V MAX
FOR APPLICATION TOOLING INFORMATION	TOOLING ASSISTANCE CENTER 1-800-722-1111	<b>CIRCULAR MIL AREA:</b> 6.64-10.54mm <sup>2</sup> [13,100-20,800] STRANDED
FOR ORDER ENTRY	1-800-526-5142	

THIS DRAWING IS A CONTROLLED DOCUMENT.	
<b>DIMENSIONS:</b> mm [INCHES]	<b>TOLERANCES UNLESS OTHERWISE SPECIFIED:</b>
	0 PLC ± -
	1 PLC ± -
	2 PLC ± 0.20[.008]
	3 PLC ± -
	4 PLC ± -
	ANGLES ± -
<b>MATERIAL</b> COPPER PER ASTM B-152 PVC, COLOR: RED	<b>FINISH</b> TIN PLATE PER ASTM-B545

DWN S.S. GOULDEN 9-29-93	<b>STE</b> TE Connectivity	
CHK R. HERSEY 9-29-93		
APVD B. BARE 9-29-93	NAME TERMINAL, RING TONGUE, PLASTI-GRIP, WIRE SIZE: 8 AWG	
PRODUCT SPEC NOT AVAILABLE	SIZE A3	CAGE CODE 00779
APPLICATION SPEC 114-2161	DRAWING NO C-52263	RESTRICTED TO -
WEIGHT -	SCALE 4:1	SHEET 1 OF 1
CUSTOMER DRAWING		REV R3