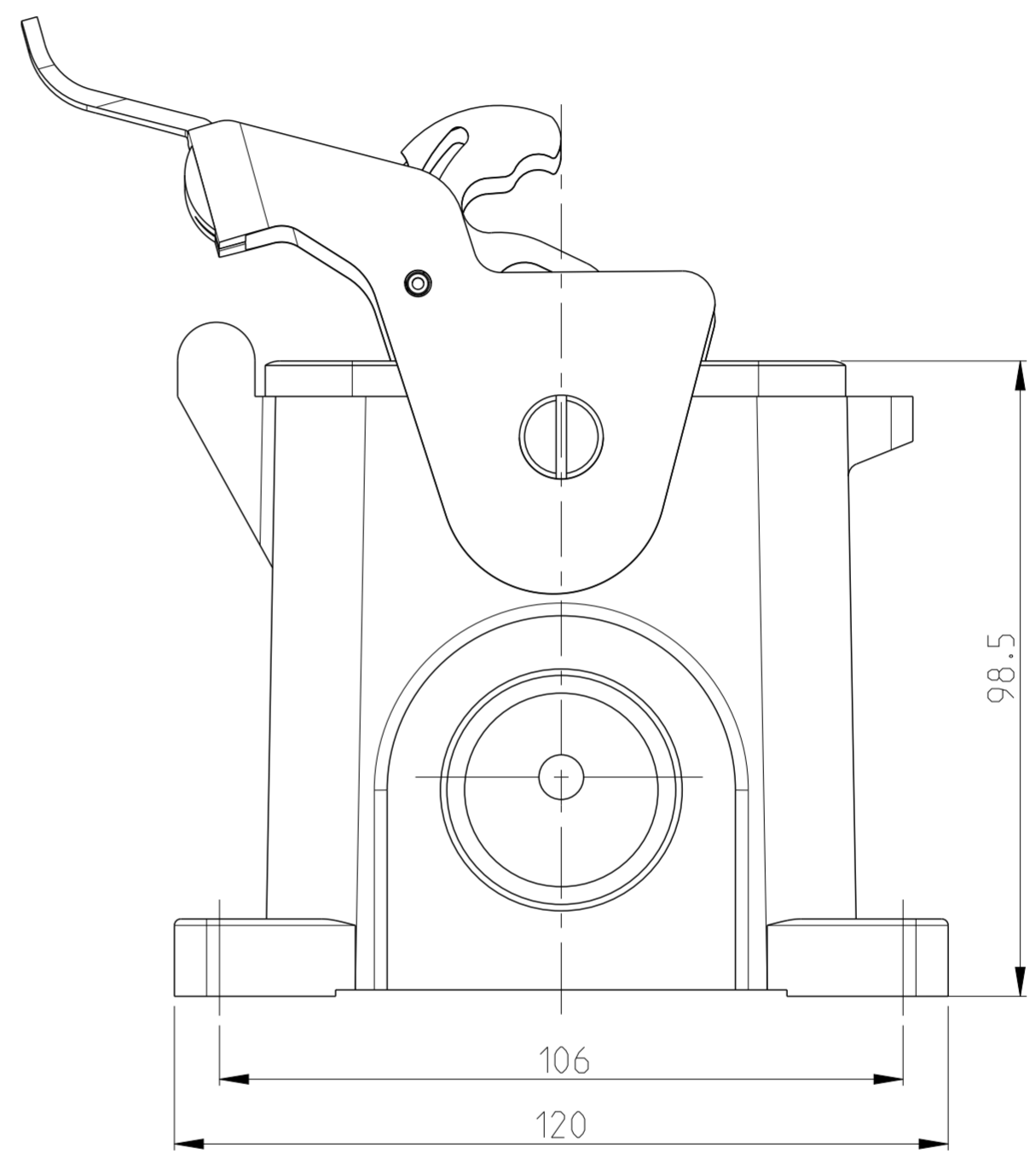
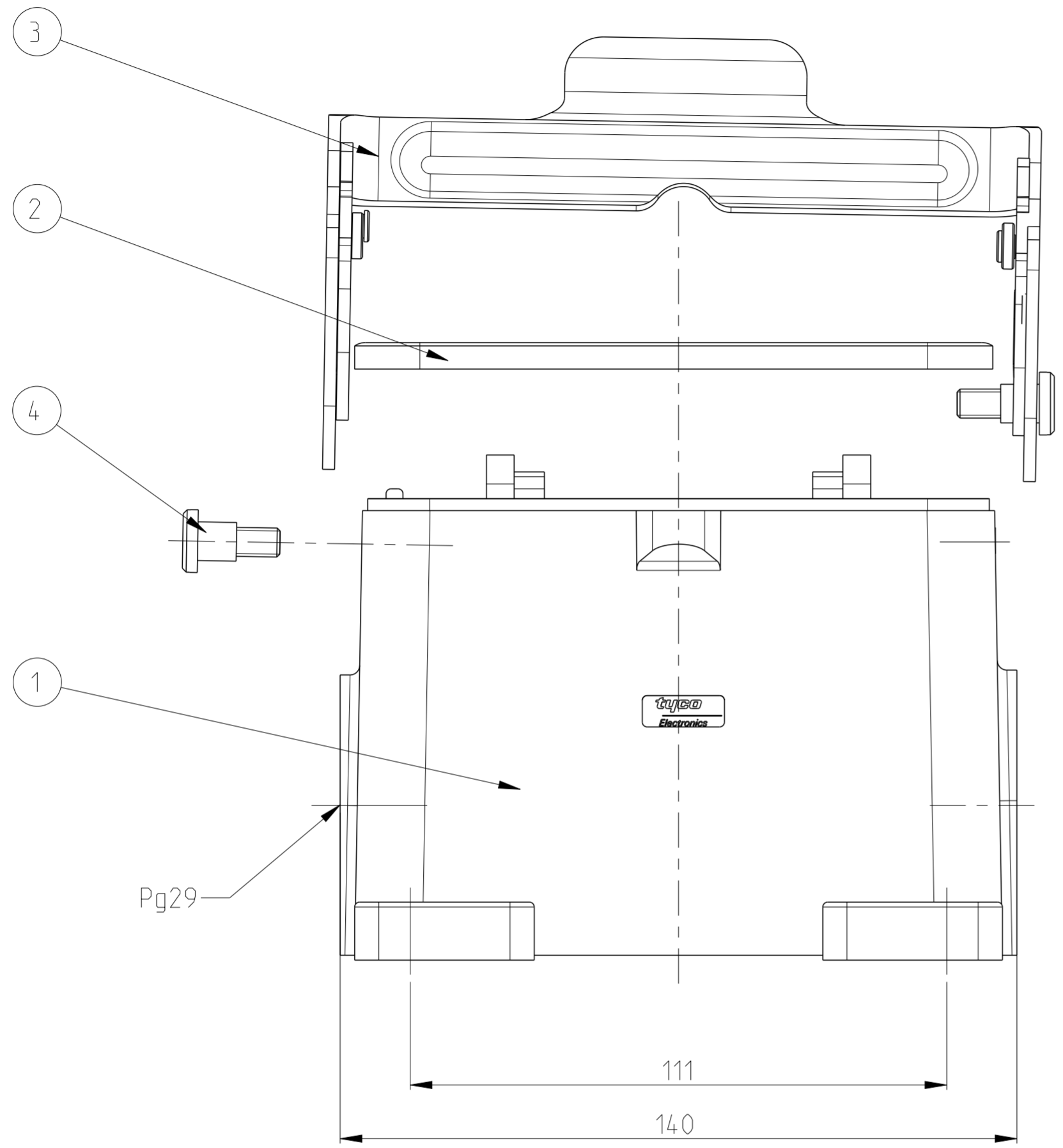


THIS DRAWING IS UNPUBLISHED. RELEASED FOR PUBLICATION 2006  
 © COPYRIGHT 2006 ALL RIGHTS RESERVED.

LOC		DIST		REVISIONS			
P	LTR	DESCRIPTION	DATE	DWN	APVD		
A3		new pro/E drawing ECR-08-022186	09JAN2009	SR	AR		
A4		ECR-15-000844	29JAN2015	GSK	MKO		



NOTES

- 1 PART SHALL BE FREE AND CLEAN OF BURRS AND OTHER FOREIGN MATERIAL
- 2 PACKAGING: QUANTITY 2 PIECES
- 3 VARNISHING INSIDE HOUSING NOT REQUIRED

1-2	DESCRIPTION	MATERIAL	SURFACE	COLOR	ITEM	NOTES
2	SCREW SLOTTED PAN HEAD	STAINLESS STEEL	BLANC		4	M6X8
1	SIDE CLIP	STEEL	ZINC PLATED	BLUE	3	
1	PROFIL SEAL	NEOPRENE		BLACK	2	
1	SURFACE MOUNTED HOUSING SIDE ENTRY	ALU		GREY	1	

THIS DRAWING IS A CONTROLLED DOCUMENT.		DWN R. SCHNEIDER 09 JAN 2009	TE Connectivity	
DIMENSIONS: mm		CHK T. SCHNURPFEL 09 JAN 2009		
TOLERANCES UNLESS OTHERWISE SPECIFIED:		APVD	NAME SURFACE MOUNTED HOUSING SIDE ENTRY HB.48.SG-LB.1.29.Z	
0 PLC ±-		PRODUCT SPEC	SIZE	
1 PLC ±-		APPLICATION SPEC	CAGE CODE	
2 PLC ±-		WEIGHT	DRAWING NO	
3 PLC ±-		CUSTOMER DRAWING	RESTRICTED TO	
4 PLC ±-			SCALE 1:1 SHEET 1 OF 1 REV A4	
ANGLES ±1°		A2 00779 C-1102391		
FINISH				