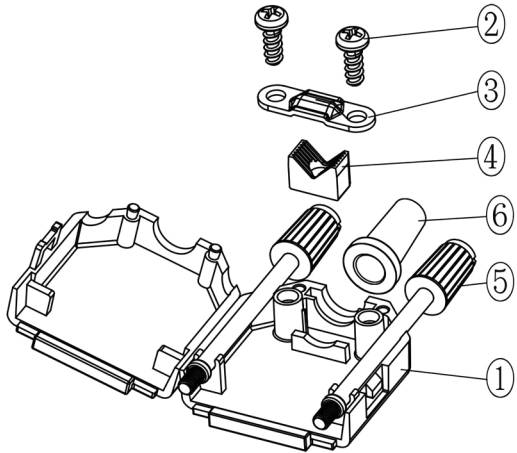
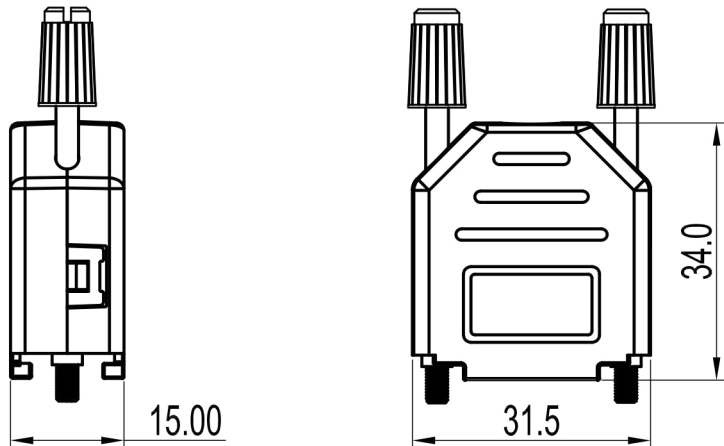
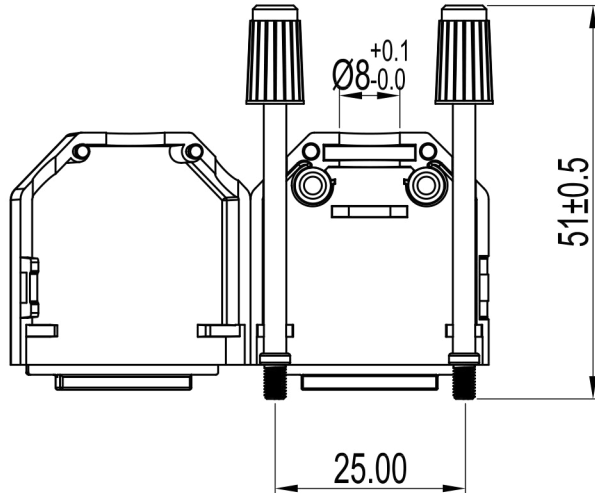


	1	2	3	4	5	6	7																																
A							<p>TECHNICAL SPECIFICATIONS</p> <p>Material: Plastic (PA), UL94-HB Colour: Black Operating Temperature: -55°C to +110°C Thumbscrews: UNC 4-40</p> <p>No. of contacts: 09-15-25-37-50</p>		A																														
B																																							
C									C																														
D																																							
E	<table border="1"> <thead> <tr> <th>Item</th> <th>QTY</th> <th>Part description</th> </tr> </thead> <tbody> <tr> <td>1</td> <td>1</td> <td>Plastic Cover</td> </tr> <tr> <td>2</td> <td>2</td> <td>EPS 3x8 Self Tapping Screw</td> </tr> <tr> <td>3</td> <td>1</td> <td>Cable Clamp</td> </tr> <tr> <td>4</td> <td>1</td> <td>Plastic Insert</td> </tr> <tr> <td>5</td> <td>2</td> <td>Jackscrews UNC4-40x51mm</td> </tr> <tr> <td>6</td> <td>1</td> <td>Rubber Grommet</td> </tr> </tbody> </table>						Item	QTY	Part description	1	1	Plastic Cover	2	2	EPS 3x8 Self Tapping Screw	3	1	Cable Clamp	4	1	Plastic Insert	5	2	Jackscrews UNC4-40x51mm	6	1	Rubber Grommet	<p>RoHS compliant Unit: mm</p>		E									
Item	QTY	Part description																																					
1	1	Plastic Cover																																					
2	2	EPS 3x8 Self Tapping Screw																																					
3	1	Cable Clamp																																					
4	1	Plastic Insert																																					
5	2	Jackscrews UNC4-40x51mm																																					
6	1	Rubber Grommet																																					
F																																							
G	<table border="1"> <thead> <tr> <th>Scale</th> <th>Free</th> <th>Date</th> <th>Name</th> <th>Customer-No.</th> </tr> </thead> <tbody> <tr> <td colspan="2">TOLERANCE</td> <td>Drawn</td> <td>17.08.2017</td> <td>S.Bölling</td> </tr> <tr> <td>0~6</td> <td>±0.10</td> <td>Approved</td> <td>17.08.2017</td> <td>S.Bölling</td> </tr> <tr> <td>6~30</td> <td>±0.20</td> <td></td> <td></td> <td></td> </tr> <tr> <td>30~120</td> <td>±0.30</td> <td></td> <td></td> <td></td> </tr> <tr> <td>120~400</td> <td>±0.50</td> <td></td> <td></td> <td></td> </tr> </tbody> </table>						Scale	Free	Date	Name	Customer-No.	TOLERANCE		Drawn	17.08.2017	S.Bölling	0~6	±0.10	Approved	17.08.2017	S.Bölling	6~30	±0.20				30~120	±0.30				120~400	±0.50				<p>ASSMANN WSW-No. ACOV-SUB-09NB9</p>		G
Scale	Free	Date	Name	Customer-No.																																			
TOLERANCE		Drawn	17.08.2017	S.Bölling																																			
0~6	±0.10	Approved	17.08.2017	S.Bölling																																			
6~30	±0.20																																						
30~120	±0.30																																						
120~400	±0.50																																						
H	<table border="1"> <thead> <tr> <th>DIM</th> <th>Tol</th> <th>Modification</th> <th>Date</th> <th>Name</th> </tr> </thead> <tbody> <tr> <td></td> <td></td> <td>1 Update Dimension (page 5)</td> <td>01.04.2019</td> <td>M.Rosander</td> </tr> <tr> <td>Angle</td> <td>±1°</td> <td>ⓐ Drawn</td> <td>17.08.2017</td> <td>S.Bölling</td> </tr> <tr> <td>Angle</td> <td>Tol</td> <td>Id.</td> <td></td> <td></td> </tr> </tbody> </table>						DIM	Tol	Modification	Date	Name			1 Update Dimension (page 5)	01.04.2019	M.Rosander	Angle	±1°	ⓐ Drawn	17.08.2017	S.Bölling	Angle	Tol	Id.			<p>Drawing-No. ASS_5250_CO rev01</p> <p>Replace</p> <p>Sheet 1/5</p>		H										
DIM	Tol	Modification	Date	Name																																			
		1 Update Dimension (page 5)	01.04.2019	M.Rosander																																			
Angle	±1°	ⓐ Drawn	17.08.2017	S.Bölling																																			
Angle	Tol	Id.																																					
	1	2	3	4	5	6	7	SV4382																															

1

2

3

4

5

6

7

A

A

B

B

C

C

D

D

E

E

F

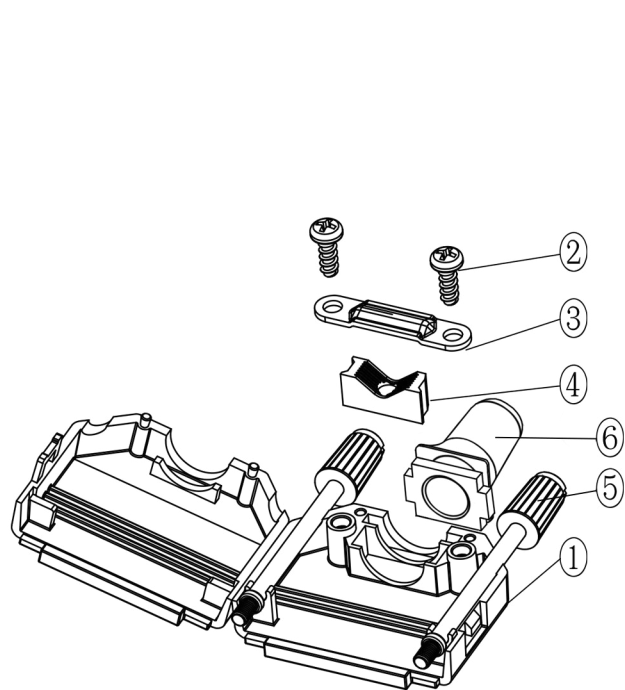
F

G

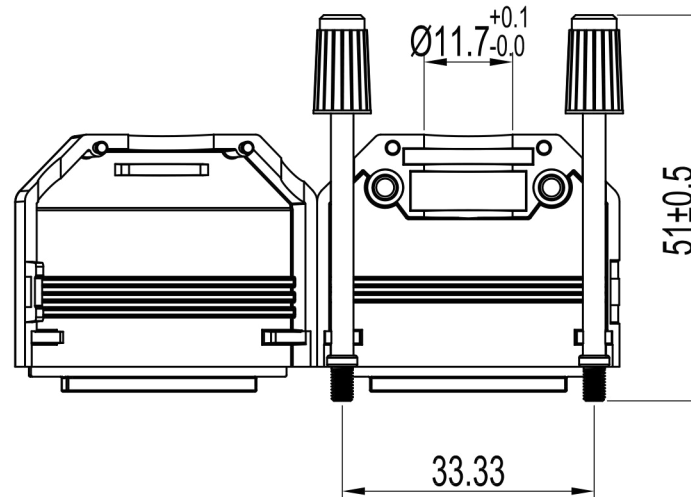
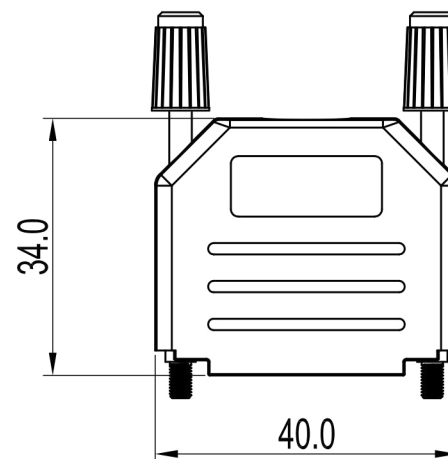
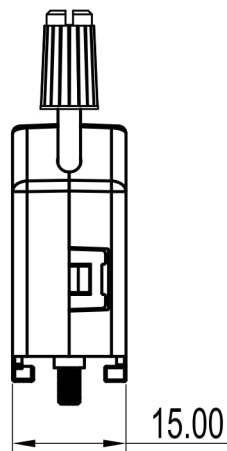
G

H

H



Item	QTY	Part description
1	1	Plastic Cover
2	2	EPS 3x8 Self Tapping Screw
3	1	Cable Clamp
4	1	Plastic Insert
5	2	Jackscrews UNC4-40x51mm
6	1	Rubber Grommet



TECHNICAL SPECIFICATIONS

Material: Plastic (PA), UL94-HB
 Colour: Black
 Operating Temperature: -55°C to +110°C
 Thumbscrews: UNC 4-40

No. of contacts: 09-15-25-37-50

RoHS compliant
 Unit: mm

Scale	Free				Date	Name	Customer-No.
TOLERANCE					Drawn	17.08.2017	S.Bölling
0~6	±0.10				Approved	17.08.2017	S.Bölling
6~30	±0.20						
30~120	±0.30						
120~400	±0.50	1	Update Dimension (page 5)	01.04.2019	M.Rosander		
DIM	Tol	Ⓞ	Drawn	17.08.2017	S.Bölling		
Angle	±1°						
Angle	Tol	ld.	Modification	Date	Name		

ASSMANN
 WSW components

ASSMANN WSW-No.
ACOV-SUB-15NB9

Drawing-No.
ASS_5250_CO rev01
 Replace Sheet 2/5

1

2

3

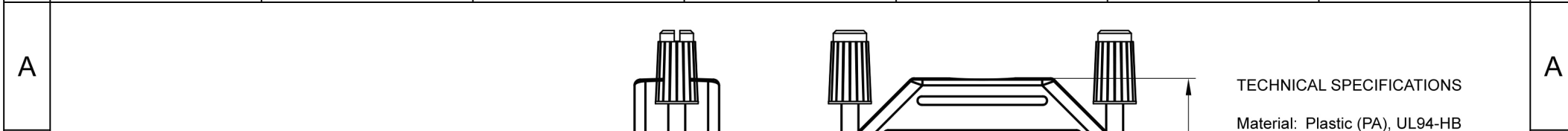
4

5

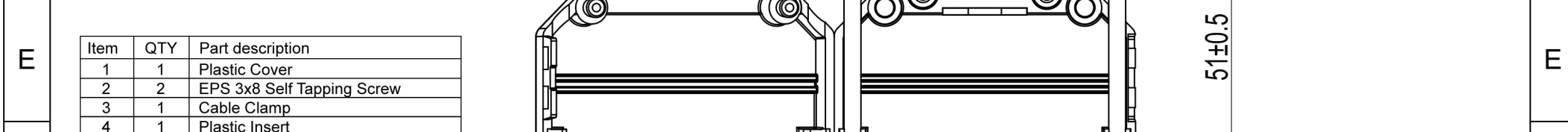
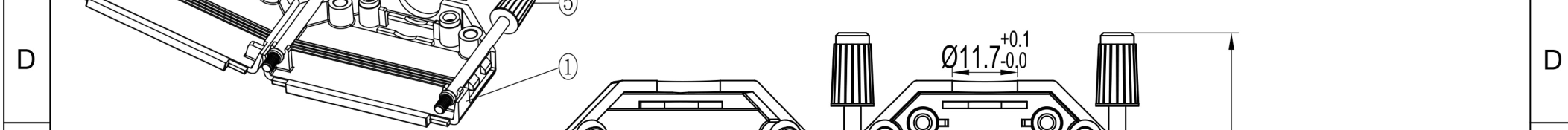
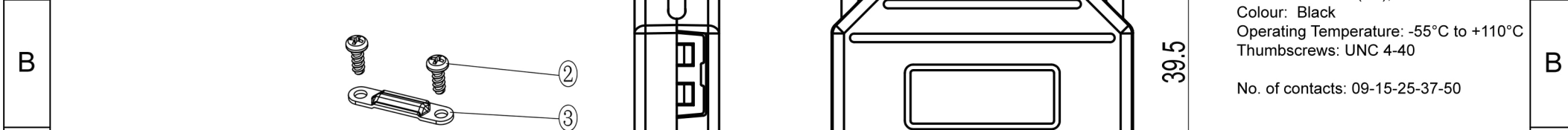
6

7

SV4382



TECHNICAL SPECIFICATIONS
 Material: Plastic (PA), UL94-HB
 Colour: Black
 Operating Temperature: -55°C to +110°C
 Thumbscrews: UNC 4-40
 No. of contacts: 09-15-25-37-50



Item	QTY	Part description
1	1	Plastic Cover
2	2	EPS 3x8 Self Tapping Screw
3	1	Cable Clamp
4	1	Plastic Insert
5	2	Jackscrews UNC4-40x51mm
6	1	Rubber Grommet

Scale	Free	Date	Name	Customer-No.
TOLERANCE		Drawn	17.08.2017	S.Bölling
0~6	±0.10	Approved	17.08.2017	S.Bölling
6~30	±0.20			
30~120	±0.30			
120~400	±0.50			

DIM	Tol	1	Update Dimension (page 5)	01.04.2019	M.Rosander		Drawing-No.	ASS_5250_CO	rev01
Angle	±1°	Ⓒ	Drawn	17.08.2017	S.Bölling		Replace	Sheet 3/5	
Angle	Tol	Id.	Modification	Date	Name				

1

2

3

4

5

6

7

A

B

C

D

E

F

A

B

C

D

E

F

TECHNICAL SPECIFICATIONS

Material: Plastic (PA), UL94-HB
 Colour: Black
 Operating Temperature: -55°C to +110°C
 Thumbscrews: UNC 4-40

No. of contacts: 09-15-25-37-50

Item	QTY	Part description
1	1	Plastic Cover
2	2	EPS 3x8 Self Tapping Screw
3	1	Cable Clamp
4	1	Plastic Insert
5	2	Jackscrews UNC4-40x51mm
6	1	Rubber Grommet

RoHS compliant
Unit: mm

Scale	Free				Date	Name	Customer-No.
TOLERANCE					Drawn	17.08.2017	S.Bölling
0~6	±0.10				Approved	17.08.2017	S.Bölling
6~30	±0.20						
30~120	±0.30						
120~400	±0.50	1	Update Dimension (page 5)	01.04.2019	M.Rosander		
DIM	Tol	ⓐ	Drawn	17.08.2017	S.Bölling	ASSMANN WSW-No. ACOV-SUB-37NB9	
Angle	±1°					Drawing-No. ASS_5250_CO	rev01
Angle	Tol	ld.	Modification	Date	Name	Replace	Sheet 4/5

1

2

3

4

5

6

7

SV4382

H

G

1

2

3

4

5

6

7

A

A

B

B

C

C

D

D

E

E

F

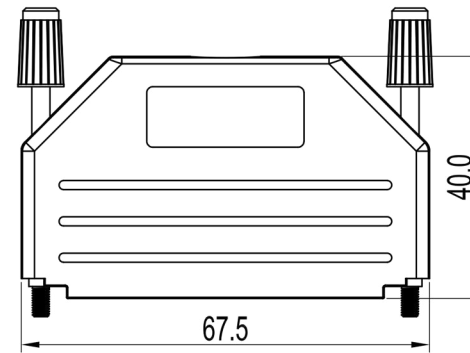
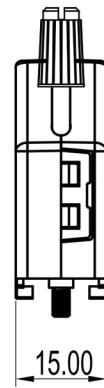
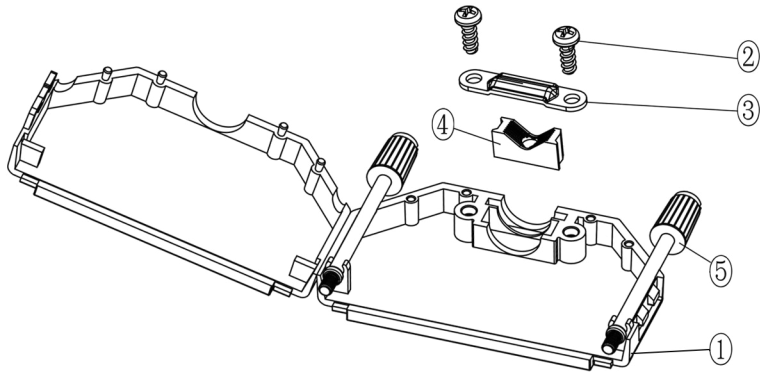
F

G

G

H

H

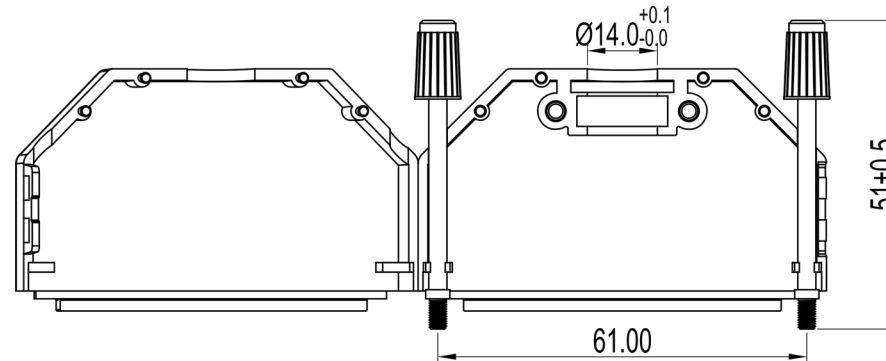


TECHNICAL SPECIFICATIONS

Material: Plastic (PA), UL94-HB
 Colour: Black
 Operating Temperature: -55°C to +110°C
 Thumbscrews: UNC 4-40

No. of contacts: 09-15-25-37-50

Item	QTY	Part description
1	1	Plastic Cover
2	2	EPS 3x8 Self Tapping Screw
3	1	Cable Clamp
4	1	Plastic Insert
5	2	Jackscrews UNC4-40x51mm



RoHS compliant
 Unit: mm

Scale	Free				Date	Name	Customer-No.
TOLERANCE					Drawn	17.08.2017	S.Bölling
0~6	±0.10				Approved	17.08.2017	S.Bölling
6~30	±0.20						
30~120	±0.30						
120~400	±0.50	1	Update Dimension (page 5)	01.04.2019	M.Rosander		
DIM	Tol	ⓐ	Drawn	17.08.2017	S.Bölling		
Angle	±1°						
Angle	Tol	ld.	Modification	Date	Name		

ASSMANN
 WSW components

ASSMANN WSW-No.
ACOV-SUB-50NB9

Drawing-No.
ASS_5250_CO rev01
 Replace Sheet 5/5

1

2

3

4

5

6

7

SV4382