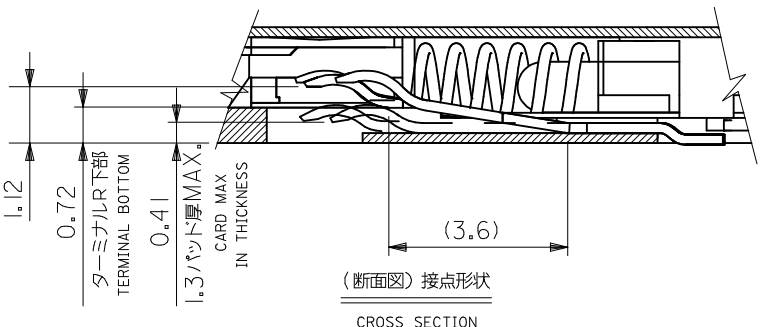
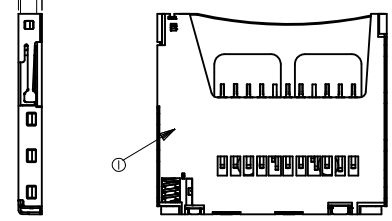
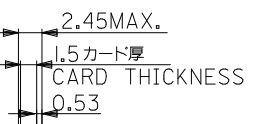
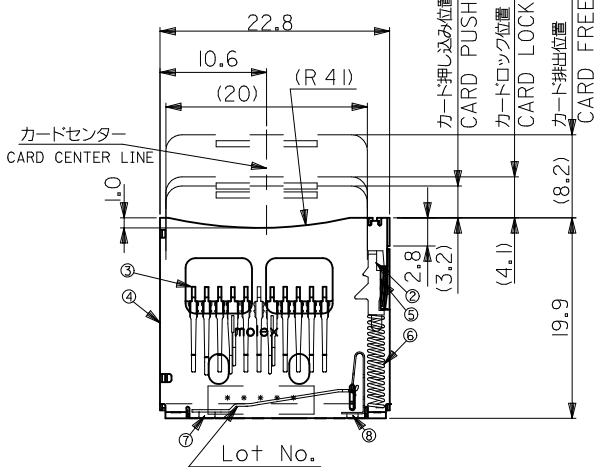


カード装置状態 CARD INSERTION STATE	ディテクトスイッチ DETECT SWITCH
カード排出 CARD FREE	クローズ CLOSE
カードロック CARD LOCK	オープン OPEN
カード押し込み CARD PUSHING	オープン OPEN



製造場所 PLANT
曜日番号 DAYS
週番号 WEEKS
西暦末尾一桁 | FIGURE OF THE A.D. END

番号 NO.	名称 NAME	材料 MATERIAL
①	ハウジング HOUSING	耐熱樹脂, UL 94V-0, 黒色 HEAT RESISTANCE POLYMER, UL 94V-0, BLACK
②	カムスライダ CAM SLIDER	耐熱樹脂, UL 94V-0, 黒色 HEAT RESISTANCE POLYMER, UL 94V-0, BLACK
③	ターミナル TERMINAL	銅合金, 接点部: 金めっき 0.5μ~0.7μ 半田付部: 錫めっき 1μ~3μ 下地: ニッケルめっき 1μ~3μ COPPER ALLOY, CONTACT AREA: GOLD (0.5-0.7) TAIL AREA: TIN, (1-3) UNDER: NICKEL (1-3)
④	メタルカバー METAL COVER	ステンレス鋼: 金コート 下地: ニッケルめっき 1μ~3μ STAINLESS STEEL, Au COAT, UNDER: NICKEL (1-3)
⑤	ピン PIN	ステンレス鋼 STAINLESS STEEL
⑥	スプリング SPRING	ピアノ線 SWP
⑦	ディテクト ターミナル DETECT TERMINAL	銅合金, 接点部: 金めっき 0.2μ~0.4μ 半田付部: 錫めっき 1μ~3μ 下地: ニッケルめっき 1μ~3μ COPPER ALLOY, CONTACT AREA: GOLD (0.2-0.4) TAIL AREA: TIN, (1-3) UNDER: NICKEL (1-3)
⑧	スイッチネイル SWITCH NAIL	銅合金, 接点部: 金めっき 0.2μ~0.4μ 下地: ニッケルめっき 1μ~3μ COPPER ALLOY, CONTACT & TAIL AREA: GOLD, (0.2-0.4) UNDER: NICKEL (1-3)




注記

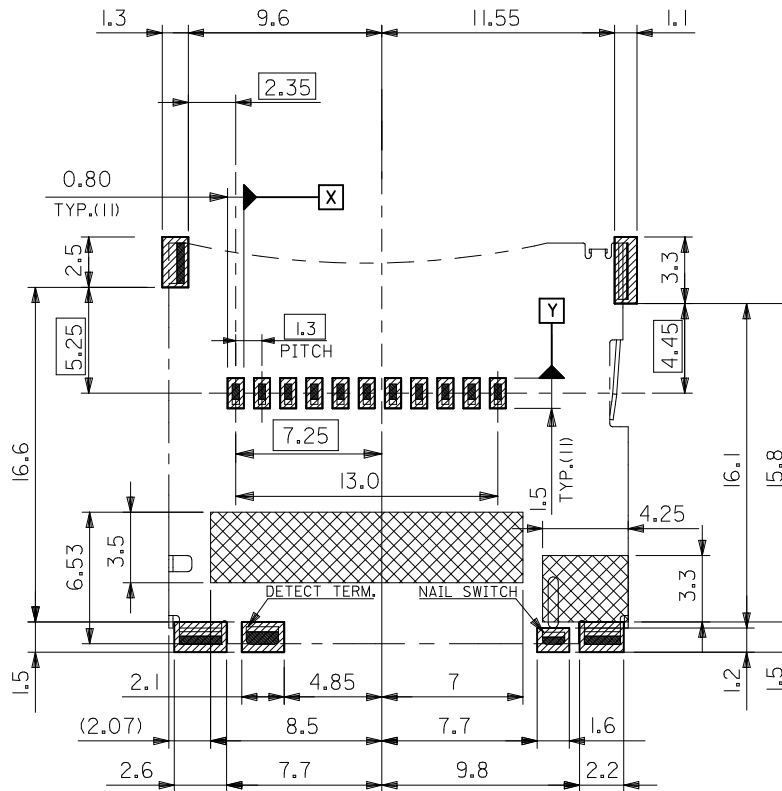
1. ターミナルおよびネイルの平坦度は 0.1MAX.
TERMINAL AND NAIL COPLANARITY TO BE 0.1MAX.
2. 納入時、プッシュ機構は非ロック状態
WHEN DELIVERING, THE PUSH/PUSH MECHANISM IS IN THE STATE OF THE UNLOCK.
3. ELV AND ROHS COMPLIANT.

500525-1142
EMBOSSED PACKAGE
オーダー番号 ORDRE NO.

CONNECTOR SERIES NO. 500525-**48

REVISED EC NO.: J2010-1055 DRWN: MHAYASHI 2009/11/18 CHKD: MOTOYAMA 2009/11/26 APPR: NUKITA 2009/11/26	GENERAL TOLERANCES (UNLESS SPECIFIED)		DIMENSION STYLE MM ONLY		SCALE ---	DESIGN UNITS METRIC	THIRD ANGLE PROJECTION	
	10 UNDER	±0.2	DRAWN BY Y. AOYAGI	DATE 2007/06/05	TITLE MINI SD MEMORY CARD CONN. NORMAL TYPE			
	10 OVER 30 UNDER	±0.25	CHECKED BY N. UKITA	DATE 2007/06/05	MOLEX INCORPORATED			
	30 OVER	±0.3	APPROVED BY N. UKITA	DATE 2007/06/05	MATERIAL NO. SEE TABLE	DOCUMENT NO. SD-500525-003	SHEET NO. 1 OF 2	
ANGULAR ±3 °		DRAFT WHERE APPLICABLE MUST REMAIN WITHIN DIMENSIONS		THIS DRAWING CONTAINS INFORMATION THAT IS PROPRIETARY TO MOLEX INCORPORATED AND SHOULD NOT BE USED WITHOUT WRITTEN PERMISSION				

-  : 基板ランド部 P.C.B LAND AREA
-  : コネクタ実装部 CONN. MOUNT AREA
-  : パターン禁止エリア KEEP OUT AREA



推奨基板寸法 一般公差: ±0.05

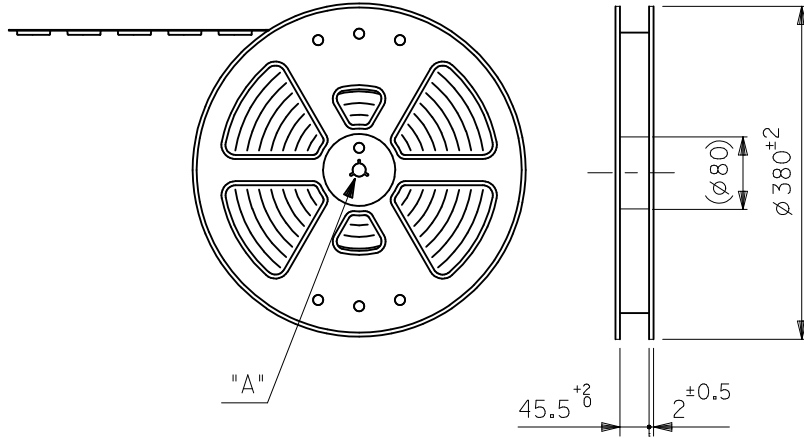
RECOMMENDED P.C.B LAYOUT
GENERAL TOLERANCE ±0.05

REVISED EC NO: J2010-1055 DRWN: MHAYASHI 2009/11/18 CHKD: MOTOHITA 2009/11/26 APPR: NUKITA 2009/11/26	GENERAL TOLERANCES (UNLESS SPECIFIED)		DIMENSION STYLE MM ONLY		SCALE ---	DESIGN UNITS METRIC	THIRD ANGLE PROJECTION	
	10 UNDER	± ---	DRAWN BY Y. AOYAGI	DATE 2007/06/05	TITLE MINI SD MEMORY CARD CONN. NORMAL TYPE			
	10 OVER 30 UNDER	± ---	CHECKED BY N. UKITA	DATE 2007/06/05	MATERIAL NO. SEE SHEET 1			
	30 OVER	± ---	APPROVED BY N. UKITA	DATE 2007/06/05	DOCUMENT NO. SD-500525-003			
	ANGULAR ± --- ° DRAFT WHERE APPLICABLE MUST REMAIN WITHIN DIMENSIONS		SIZE A3		SHEET NO. 2 OF 2			

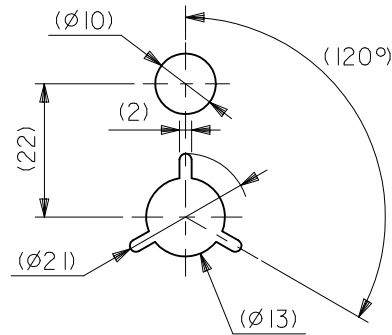
NOTES

1. 製品詳細寸法については、SD図面を参照下さい。
THE DETAIL DIMENSIONS REFER TO SALES DRAWING.
2. 梱包数量：500個/リール
NUMBER OF CONNECTORS : 500PCS/REEL
3. リードテープ長さ LEAD TAPE LENGTH

引き出し方向
PULL OUT DIRECTION



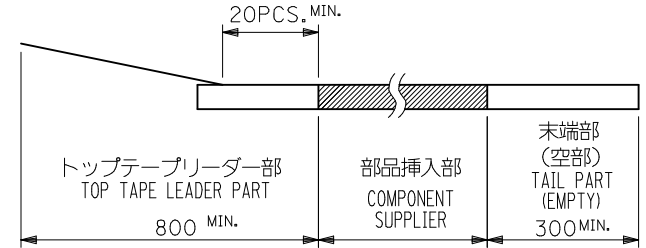
"A"



DETAIL "A"

トップテープ接着部 (空エンボス)
TOP TAPE BONDED PART. (EMPTY)

引き出し方向
PULL OUT DIRECTION



4. 材料 (MATERIAL)

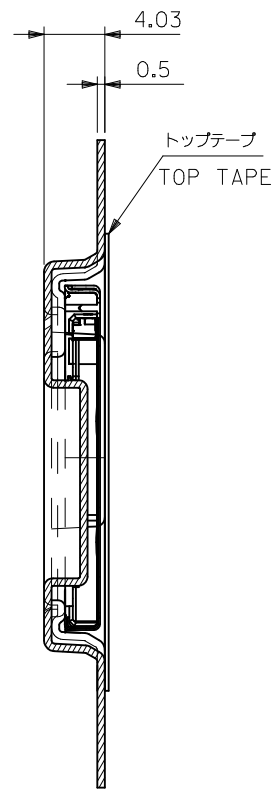
- キャリアテープ (CARRIER TAPE) : ポリプロピレン (POLYPROPYLENE)
- トップテープ (TOP TAPE) : PET, PE, PEF
- リール (REEL) : ポリスチレン (PS) <リサイクル材を含む>
POLYSTYRENE (PS) <RECYCLE MATERIAL CONTAINED>

5. ELV AND RoHS COMPLIANT.

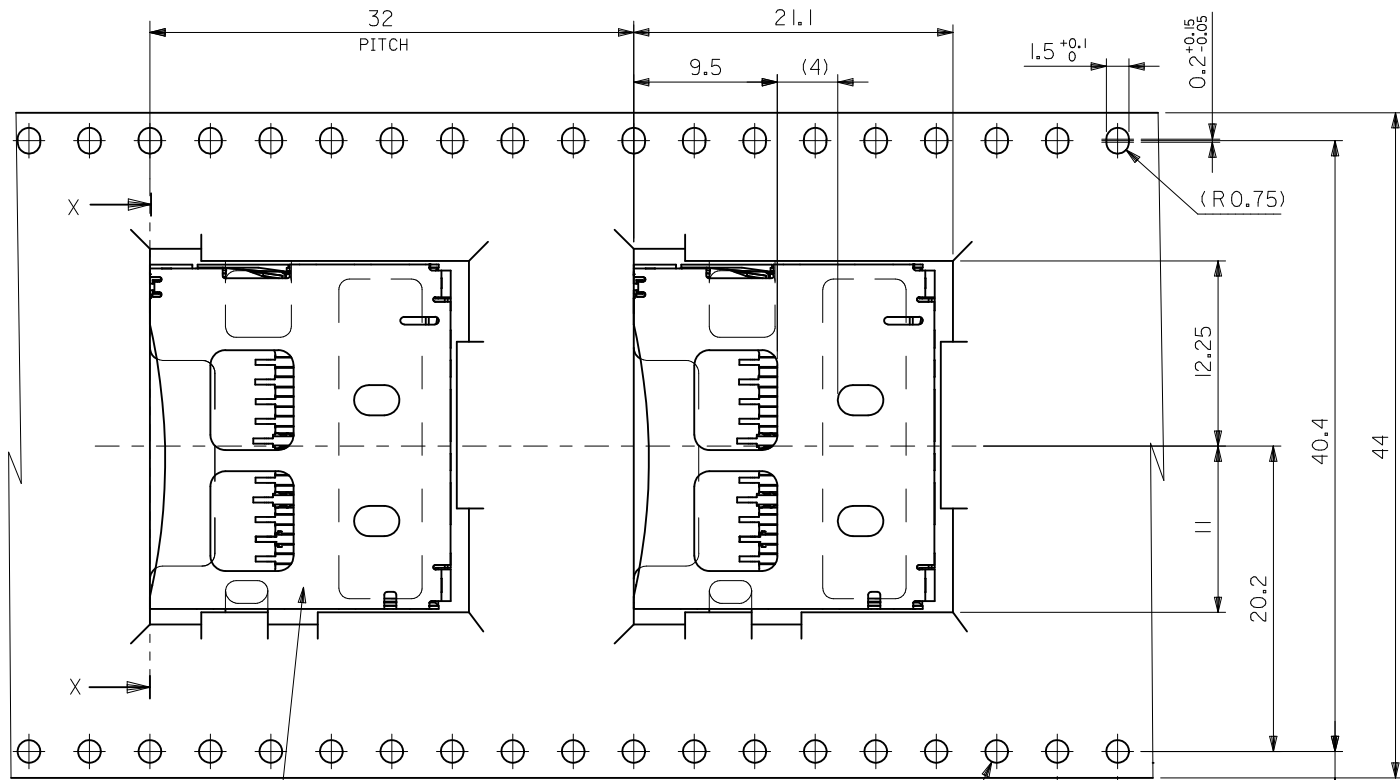
500525-1148	500525-1142
コネクタ CONNECTOR	製品番号 MATERIAL No.

REVISED EC NO: J2010-1055 DRWN: MHAYASHI 2009/11/18 CHKD: TOMITA 2009/11/26 APPR: NUKITA 2009/11/26 REV A	DESCRIPTION	GENERAL TOLERANCES (UNLESS SPECIFIED)	DIMENSION STYLE MM ONLY	SCALE ---	DESIGN UNITS METRIC	THIRD ANGLE PROJECTION
		10 UNDER	± ---	DRAWN BY Y. AOYAGI	DATE 2007/06/05	TITLE MINI SD MEMORY CARD CONN EMBOSSED TAPE PACKAGE MOLEX INCORPORATED SD-500525-004 SHEET NO. 1 OF 2
		10 OVER 30 UNDER	± ---	CHECKED BY N. UKITA	DATE 2007/06/05	
		30 OVER	± ---	APPROVED BY N. UKITA	DATE 2007/06/05	
		ANGULAR	± --- °	MATERIAL NO.	DOCUMENT NO.	
	DRAFT WHERE APPLICABLE MUST REMAIN WITHIN DIMENSIONS		SIZE A3	THIS DRAWING CONTAINS INFORMATION THAT IS PROPRIETARY TO MOLEX INCORPORATED AND SHOULD NOT BE USED WITHOUT WRITTEN PERMISSION		

10 9 8 7 6 5 4 3 2 1



SECTION X-X



500525-11**
CONN. ASS'Y

引き出し方向
PULL OUT DIRECTION

エンボステープ内の製品の向き
DIRECTION OF CONNECTOR IN EMBOSSED TAPE

$\phi 1.5^{+0.1}_0$

累積ピッチ 40±0.2
ACCUMULATIVE PITCH 40±0.2

REVISED EC NO: J2010-1055 DRWN:MHAYASHI 2009/11/18 CHKD:MTOMITA 2009/11/26 APPR:NUKITA 2009/11/26 REV A	GENERAL TOLERANCES (UNLESS SPECIFIED)		DIMENSION STYLE MM ONLY		SCALE ---	DESIGN UNITS METRIC	THIRD ANGLE PROJECTION
	10 UNDER	±0.2	DRAWN BY Y. AOYAGI	DATE 2007/06/05	TITLE MINI SD MEMORY CARD CONN EMBOSSED TAPE PACKAGE		
	10 OVER 30 UNDER	±0.25	CHECKED BY N. UKITA	DATE 2007/06/05	MOLEX INCORPORATED		
	30 OVER	±0.3	APPROVED BY N. UKITA	DATE 2007/06/05	DOCUMENT NO. SD-500525-004		
	ANGULAR ±3 °		MATERIAL NO. SEE SHEET 1		SHEET NO. 2 OF 2		
DRAFT WHERE APPLICABLE MUST REMAIN WITHIN DIMENSIONS		THIS DRAWING CONTAINS INFORMATION THAT IS PROPRIETARY TO MOLEX INCORPORATED AND SHOULD NOT BE USED WITHOUT WRITTEN PERMISSION					