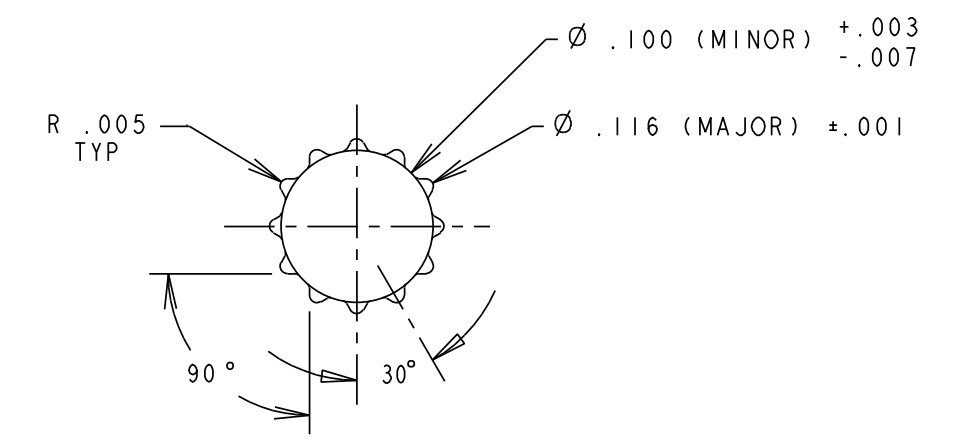
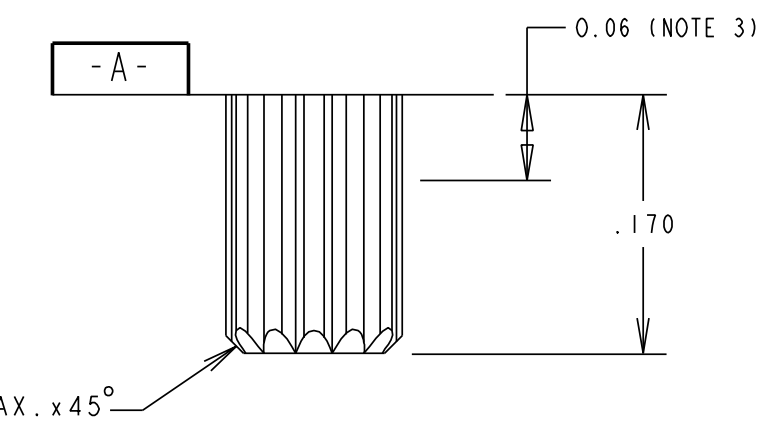
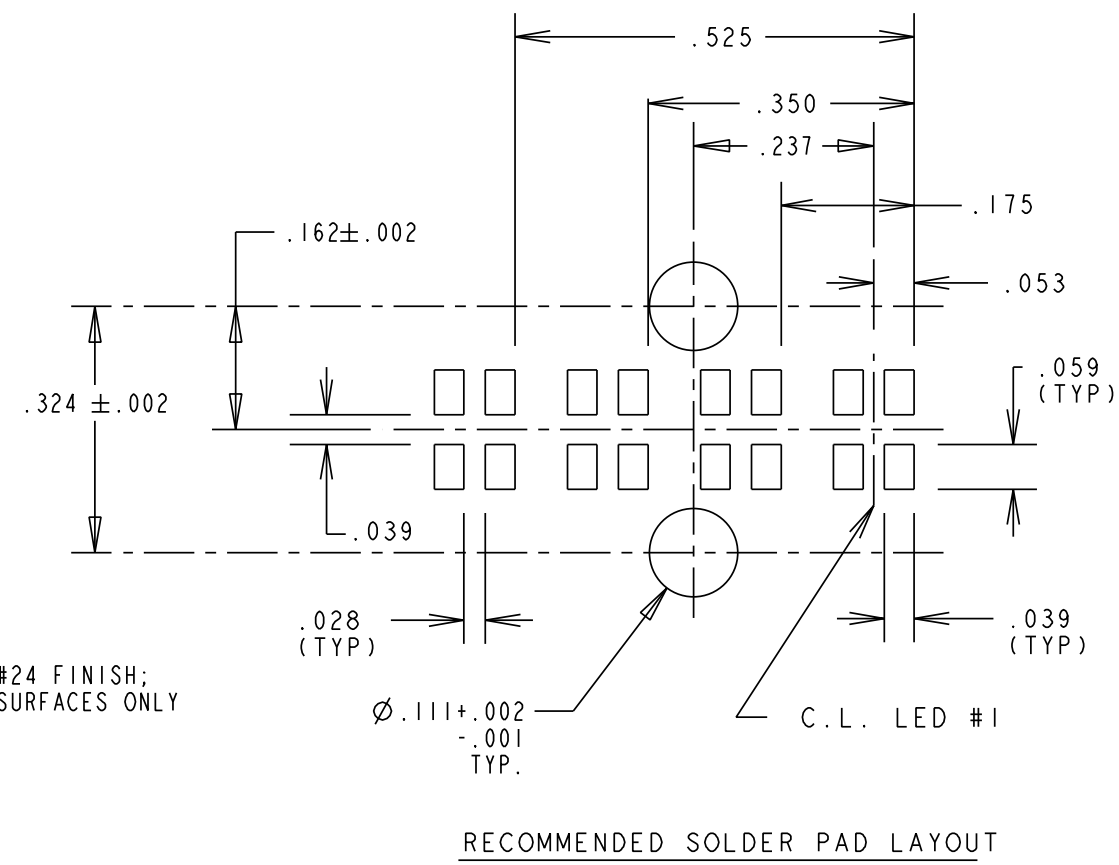
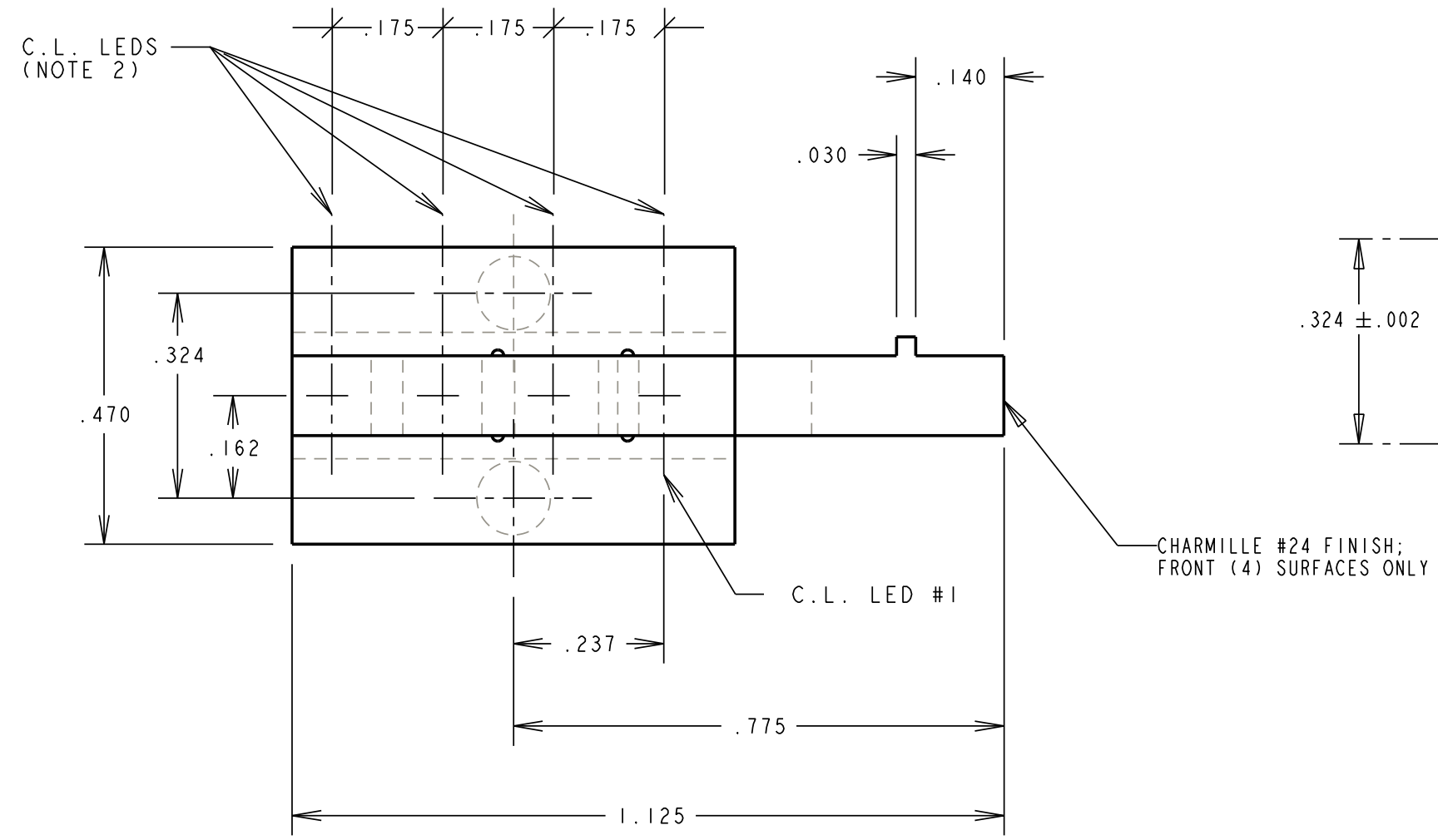
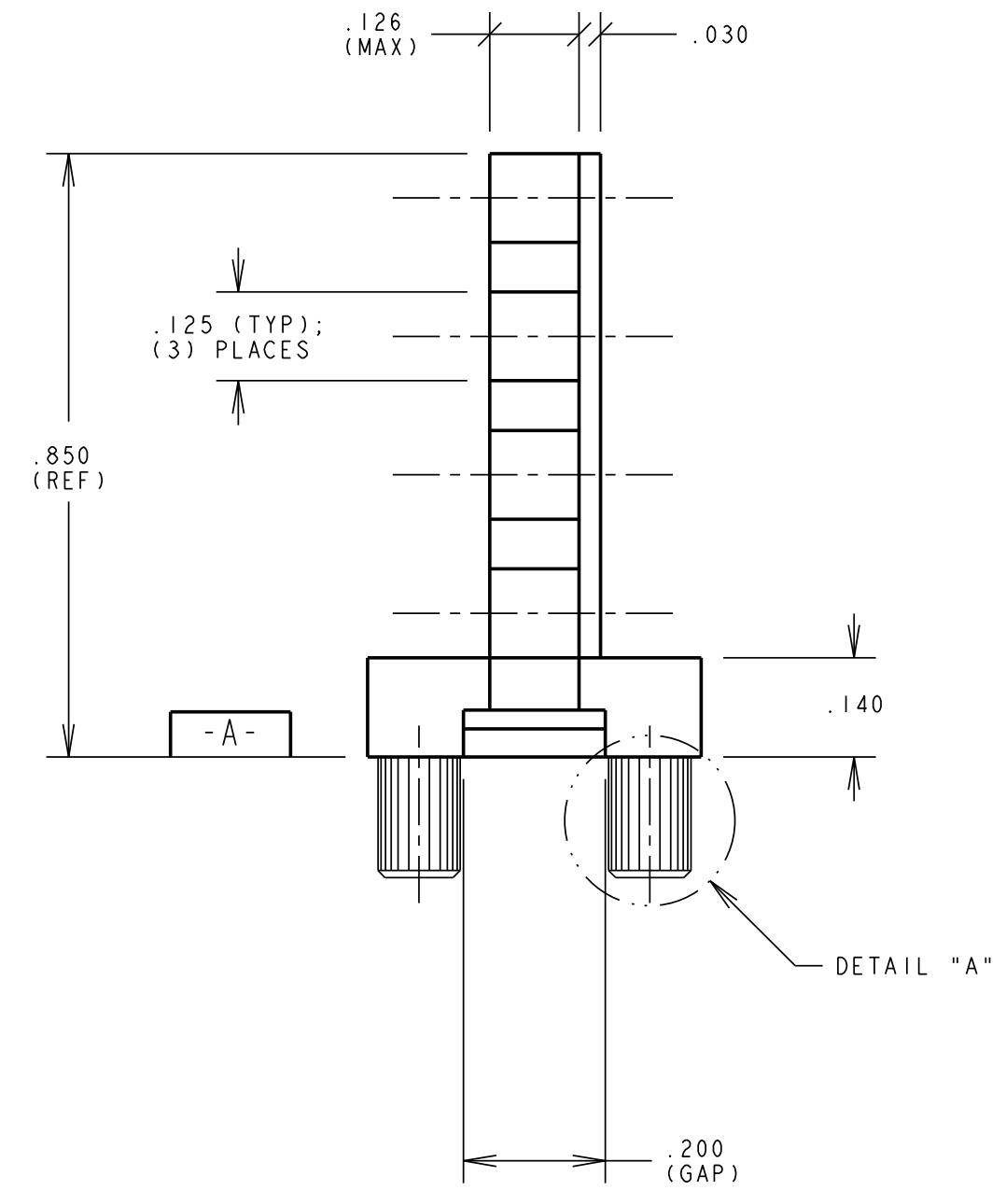
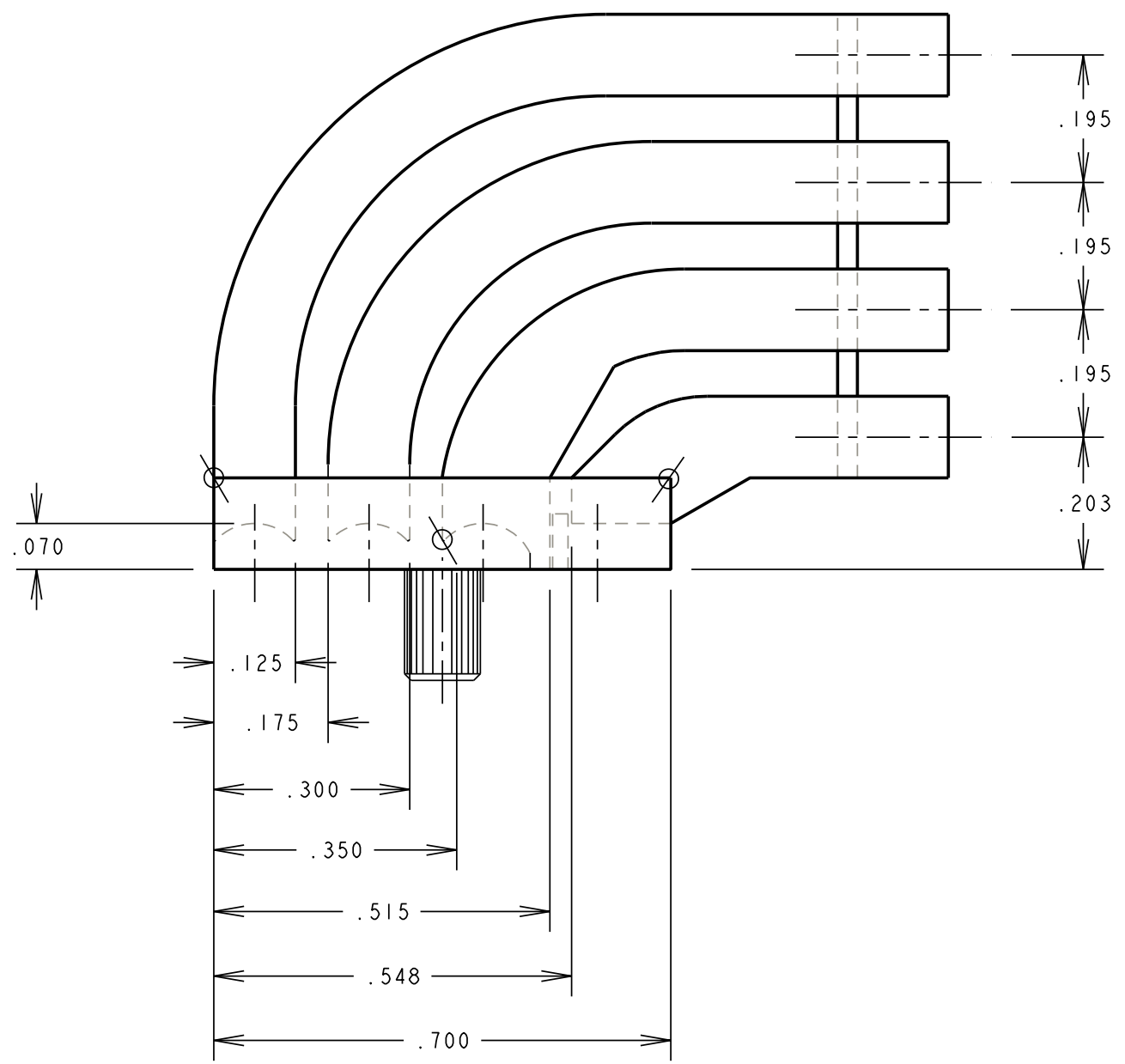
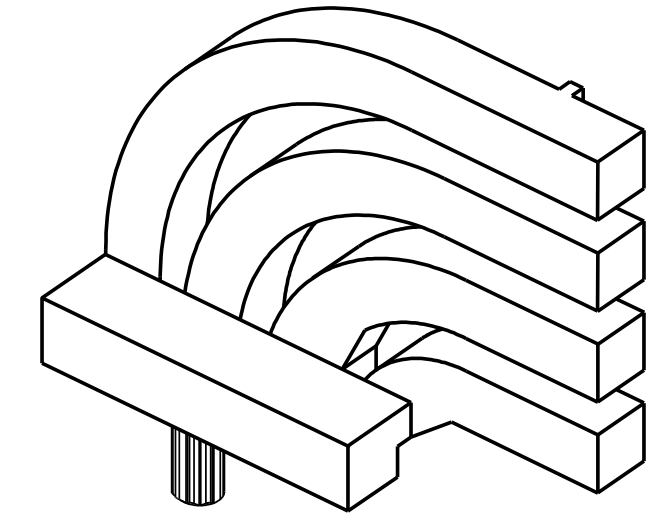


REV.	ECN NO.	REVISIONS	DRN.	CKD.	APP.	DATE
D		126/.123 WAS .126(MAX); RE-DIMENSIONED "FLANGE TO PIPE EDGES RELATIONSHIP" FROM TOP CORNERS; ADDED MOLDING DRAFT (BOTH SIDES)"; .350 WAS .252; .515 WAS .514; DELETED R .450 SPHERICAL RADII.	MC		M.C.	12-17-93
E		ADDED HOLE DIMS IN PAD LAYOUT, NOTE 3, AND .06 (NOTE 3) AND $\phi .116 \pm .001$ WAS $\phi .115 \pm .001$	MC		L.R.	8-27-96
F		ADDED CHANNELS FOR SHIELD INSERT.	TC	DC	A.V.	2-15-99



DETAIL "A"



DETAIL "A"

- NOTES:
1. COMPONENT TO BE MOLDED IN A WATER CLEAR TRANSMISSIVE POLYCARBONATE.
 2. RECOMMENDED PLACEMENT OF LED.
 3. $\phi .116 \pm .001$ TO BE MAINTAINED FROM SURFACE -A- TO .06.
 4. DIALIGHT PART NO. 515-1023

THIS DRAWING AND THE CONTENTS HEREIN ARE CONFIDENTIAL AND THE SOLE PROPERTY OF DIALIGHT. REPRODUCTION OF THIS DRAWING OR CONSTRUCTION OF ANY PARTS WITHIN THIS DRAWING ARE FORBIDDEN WITHOUT THE WRITTEN CONSENT OF DIALIGHT.

SCALE: 4:1 ALL DIM'S IN: INCHES (MM)	DRAWING NUMBER C-15820	REV F
TOLERANCES: UNLESS OTHERWISE SPECIFIED FRACTIONS: ±1/64 DECIMALS (.XX): ±.01 DECIMALS (.XXX): ±.005	TITLE QUADLEVEL LIGHTPIPE	
ANGLES: ±1°	MATERIAL	
FINISH:	Dialight 1501 ROUTE 34 SOUTH FARMINGDALE, NJ 07727	
FSCM 83330	SHEET OF	FAMILY TABLES: