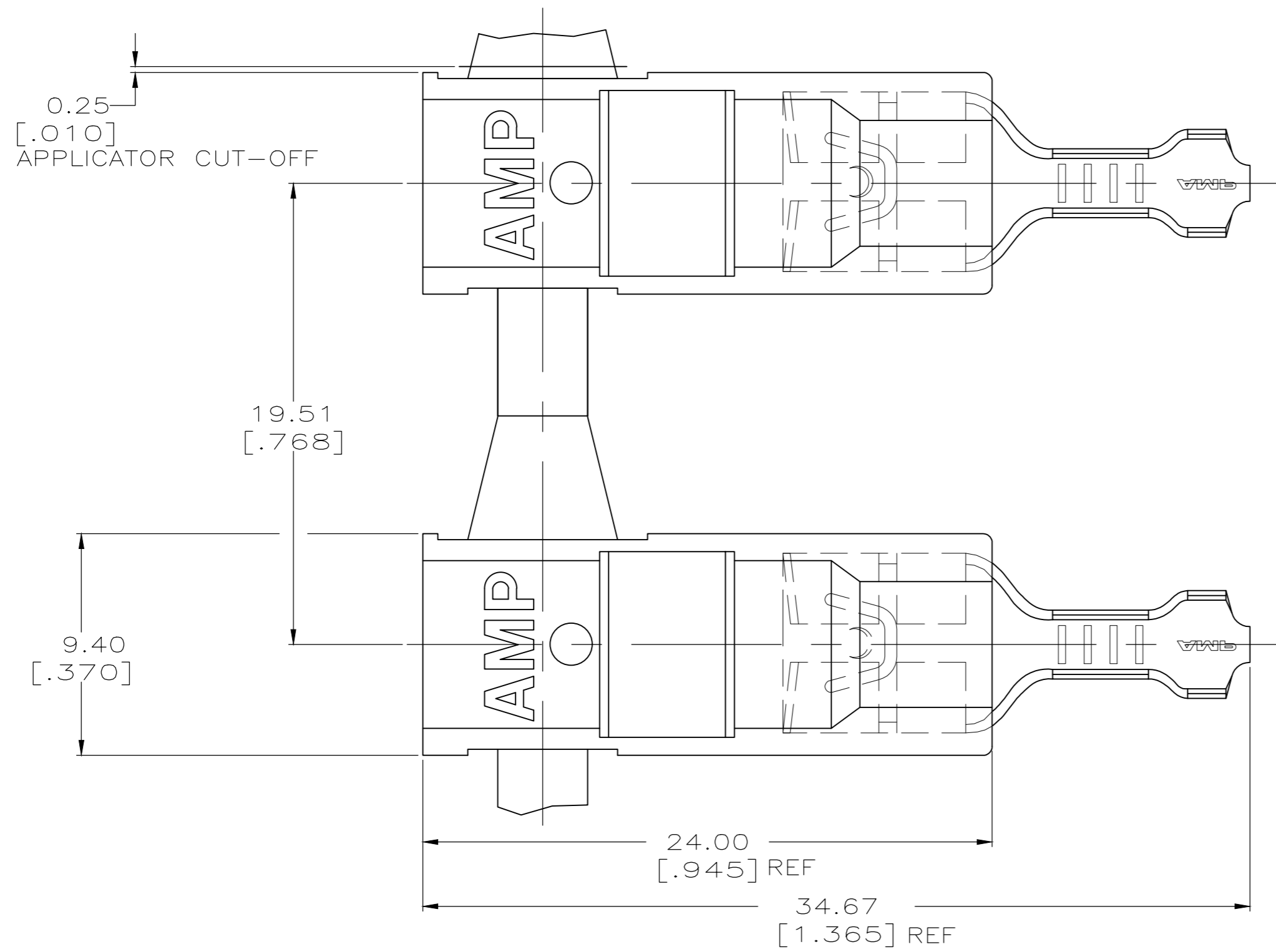
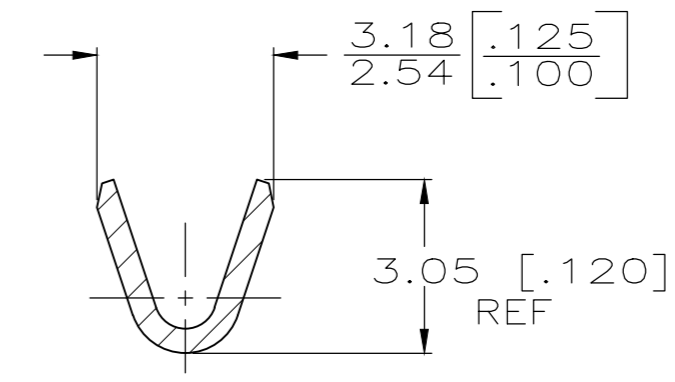


THIS DRAWING IS UNPUBLISHED. RELEASED FOR PUBLICATION
 © COPYRIGHT - By - ALL RIGHTS RESERVED.

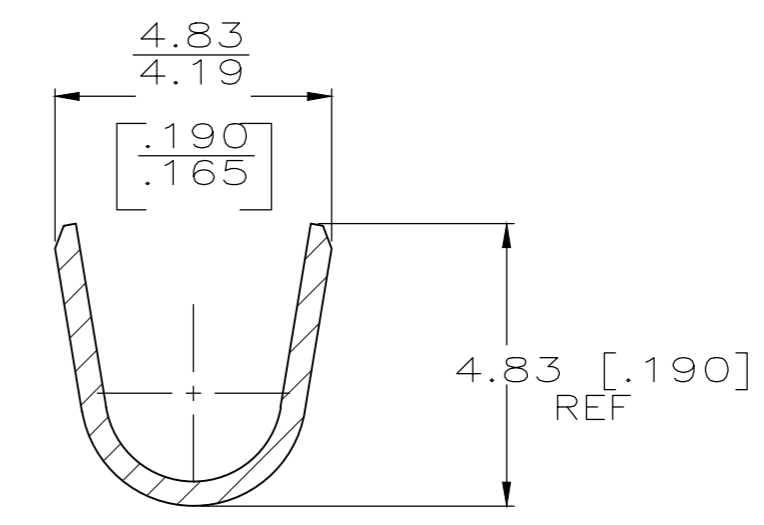
REVISIONS					
P	LTR	DESCRIPTION	DATE	DWN	APVD
C		REVISED PER ECO-18-007270	30MAY2018	RS	DS



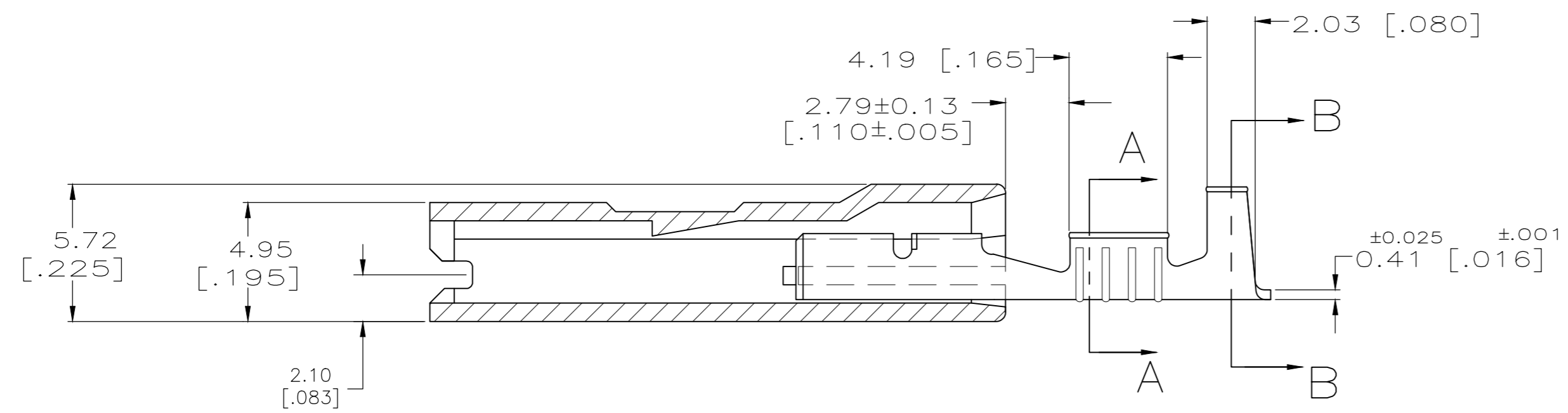
- 1 LOW-INSERTION FASTON TERMINALS, BASE PART NUMBER 2238027, ARE USED IN THIS PRODUCT.
- 2 OFFERED FOR CONSIDERATION IN APPLICATIONS REQUIRING "NON-DRIP" HOUSING MATERIAL.
- △3 PRE-PRODUCTION FASR REQUIRED.
- 4 WIRE SIZE: 0.3-0.8 MM² [22-18]
- 5 INSULATION RANGE: 2.29-3.30 [.090-.130]
- 6 MATING TAB THICK: 0.81±0.025[.032#.001]
- △7 GLOW WIRE APPROVED: CONTACT TE ENGINEERING FOR SPECIFICATION (ALL WALL THICKNESS ARE BETWEEN 0.4 - 3.0 [.015-.118]).
- △8 OBSOLETE PARTS
- △9 AGENCY APPROVAL IS PENDING.



SECTION A-A
SCALE 8:1



SECTION B-B
SCALE 8:1



SUPERCEDED BY 1969161-5	TIN PLATE	66 NYLON V0 NATURAL	1969161-5
	TIN PLATE	NATURAL, V2, WHITE	△7 △3 1969161-3
	TIN PLATE	NYLON 66, V0	△3 1969161-2
	PLAIN	NATURAL (WHITE)	△8 △3 1969161-1
TERMINAL FINISH	HOUSING	PART NO	

THIS DRAWING IS A CONTROLLED DOCUMENT.		DWN	13OCT09	TE Connectivity Ltd.	
DIMENSIONS: mm [INCHES]		CHK	13OCT09		
TOLERANCES UNLESS OTHERWISE SPECIFIED:		APVD	13OCT09		
0 PLC ± - 1 PLC ± - 2 PLC ± 0.25 [.010] 3 PLC ± - 4 PLC ± - ANGLES ± -		PRODUCT SPEC	108-1285		
MATERIAL	FINISH	WEIGHT	0.000000	NAME	ASSEMBLY, HOUSING & RECEPTACLE, 6.35 [.250] SERIES ULTRA-POD
BRASS	SEE TABLE	CUSTOMER DRAWING		SIZE	A2
				CAGE CODE	00779
				DRAWING NO	C=1969161
				RESTRICTED TO	-
				SCALE	5:1
				SHEET	1 OF 1
				REV	C

1969161