

# Housing - HC-D50-SMQ-81/O1PG29 - 1416399

Please be informed that the data shown in this PDF Document is generated from our Online Catalog. Please find the complete data in the user's documentation. Our General Terms of Use for Downloads are valid (<http://phoenixcontact.com/download>)



Box mounting bases D50, with double locking latch, material: Aluminum die-cast, cable outlets: 1, lateral, height: 81 mm, cable gland: none, support sleeve: yes, 1x Pg29, Standard



## Key Commercial Data

|              |               |
|--------------|---------------|
| Packing unit | 10 pc         |
| GTIN         |               |
| GTIN         | 4055626072593 |

## Technical data

### Dimensions

|        |        |
|--------|--------|
| Height | 81 mm  |
| Width  | 59 mm  |
| Length | 106 mm |

### Ambient conditions

|                                      |                   |
|--------------------------------------|-------------------|
| Degree of protection of housing (IP) | IP65              |
| Ambient temperature (operation)      | -40 °C ... 125 °C |

### General

|                              |                                     |
|------------------------------|-------------------------------------|
| Note                         | For contact inserts HC-D25, A16/A32 |
| Size                         | D50                                 |
| Housing type                 | Box mounting bases                  |
| Locking type                 | with double locking latch           |
| No. of cable outlets         | 1                                   |
| Cable outlet                 | lateral                             |
| Screw connection             | none                                |
| Type of the screw connection | 1x Pg29                             |
| Housing material             | Aluminum die-cast                   |
| Housing surface material     | Powder-coated, gray                 |

# Housing - HC-D50-SMQ-81/O1PG29 - 1416399

## Technical data

### General

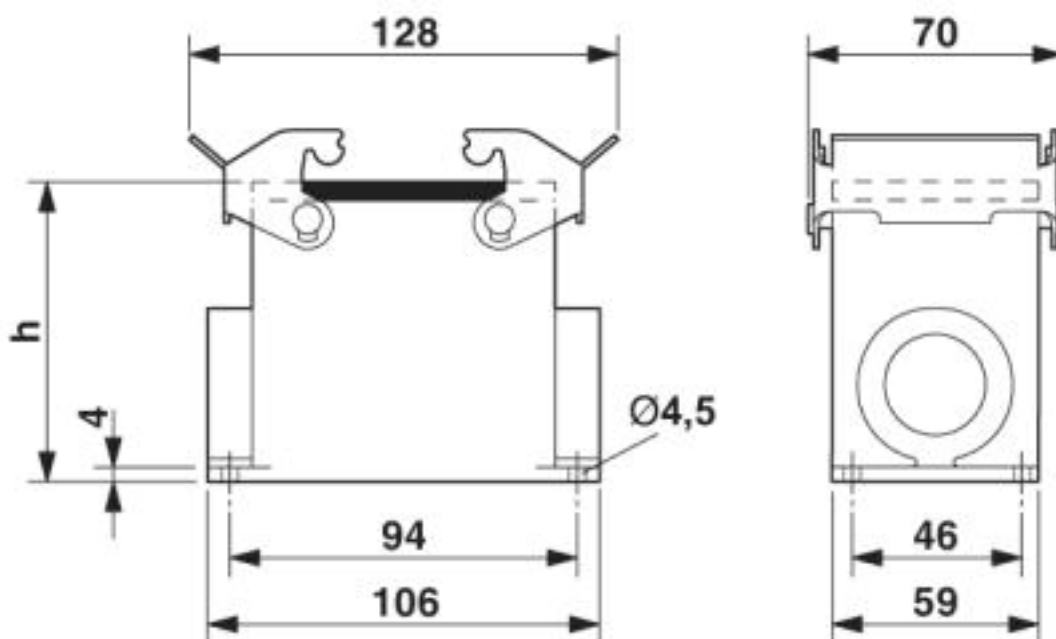
|               |                   |
|---------------|-------------------|
| Material lock | Steel, galvanized |
|---------------|-------------------|

### Environmental Product Compliance

|            |   |
|------------|---|
| China RoHS | Environmentally friendly use period: unlimited = EFUP-e |
|            | No hazardous substances above threshold values          |

## Drawings

Dimensional drawing



Dimensional drawing

## Approvals

Approvals

Approvals

EAC

Ex Approvals

Approval details

## Housing - HC-D50-SMQ-81/O1PG29 - 1416399

### Approvals

EAC



RU C-  
DE.AI30.B.01102

Phoenix Contact 2019 © - all rights reserved  
<http://www.phoenixcontact.com>

PHOENIX CONTACT GmbH & Co. KG  
Flachsmarktstr. 8  
32825 Blomberg  
Germany  
Tel. +49 5235 300  
Fax +49 5235 3 41200  
<http://www.phoenixcontact.com>