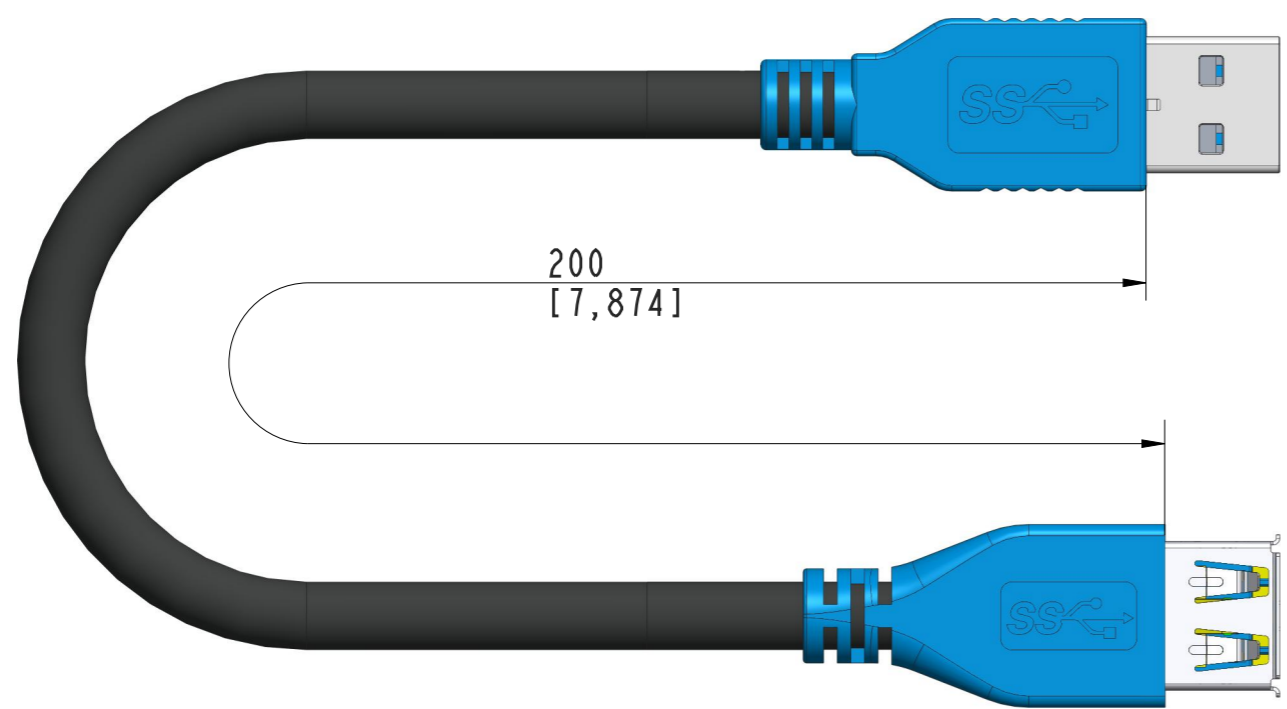
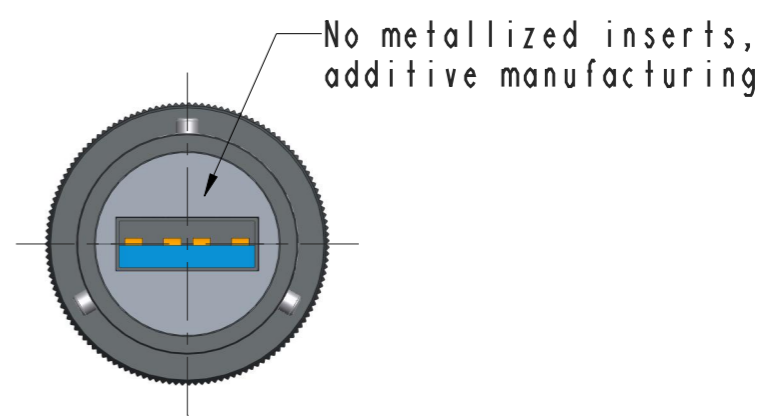
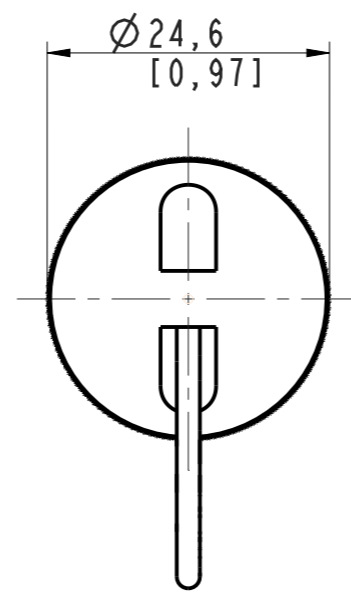
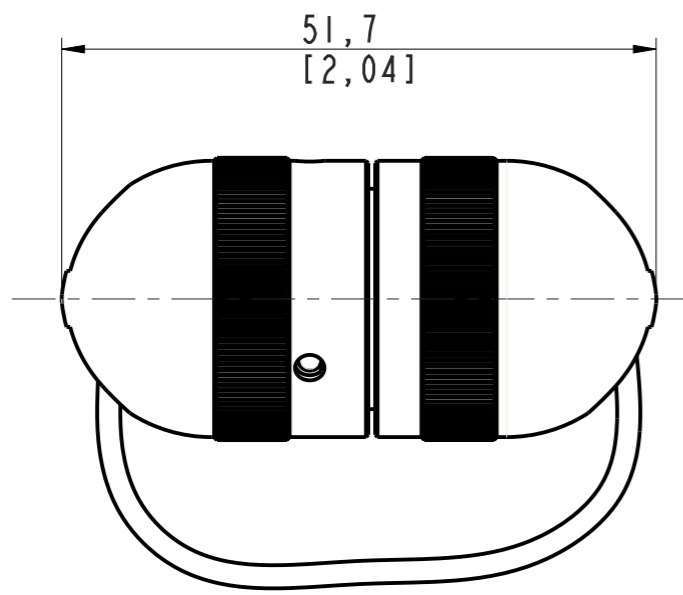


DANS LE BUT CONSTANT D'AMELIORER SES PRODUITS, Amphenol Socapex SE RESERVE LE DROIT D'EN MODIFIER TOUTE COTE OU CARACTERISTIQUE.
IMP 036 A



USB3F KEY XXX X
See table

Designation		
	XXX	X
	Capacity (Gb)	Plating
USB3F KEY	16	B = Black painting (RoHS) N = Nickel (RoHS) G = Olive drab cadmium (Not RoHS)
	32	
	64	
	128	
	256	

Notes:

- Reinforced USB3 memory keys.
- Key USB3 SANDISK Ultra Fit.
- Operating temperature range 0°C to 35°C (32°F to 95°F)
- Storage temperature range -10°C to 70°C (14°F to 158°F)
- No obsolescence management - End of life (EOL).
- Delivered with USB3 cordset

Dimensions in mm / [inch]

MODIFICATIONS	A	Plan original	ECHELLE	Amphenol Socapex	DESSIN: M RINSANT le 08/01/20
			1,5		TECHNIQUE: N MEURICE le 08/01/20
				BP 29 - 74311 THYEZ CEDEX	A