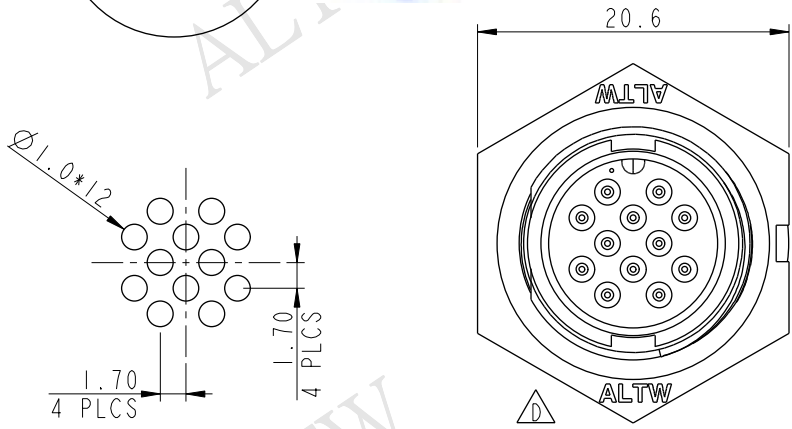


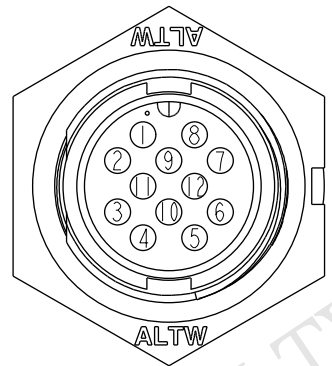
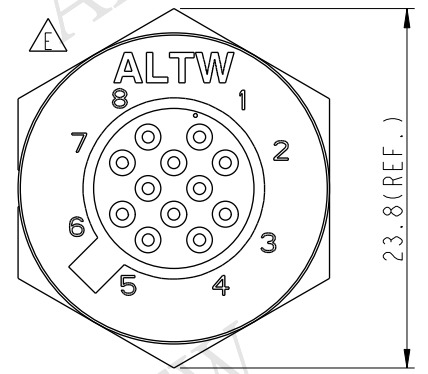
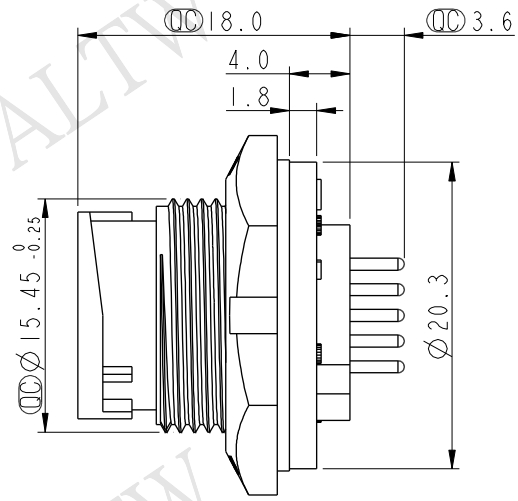
REV.	ECN NO.	DATE	SIGN	DESCRIPTION
C	LEN1130454	2011/03/25	Jiang Jun Hua	Modify Nut Color
D	LEN1470084	2014/07/03	Jason.Yu	Change Nut Logo
E	LEN1590304	2015/09/02	Vicky	Update Logo

ALTW
CONFIDENTIAL
2015-09-02
R&D DEPT.

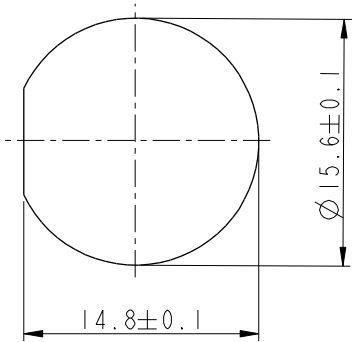
ALTW
DCC. DEPT.
CONFIDENTIAL
2015.09.18
ISSUED



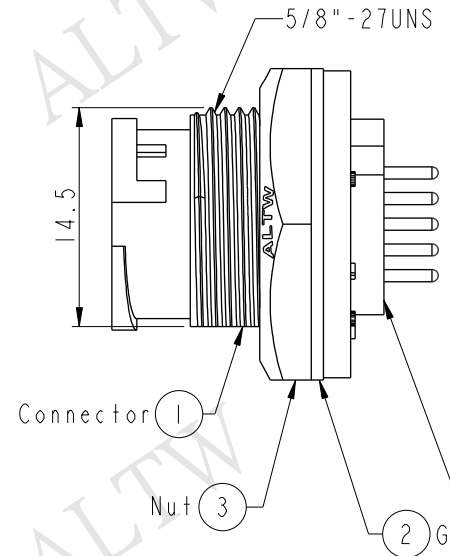
PCB Lay-out



Pin Assignments
Front View



Recommended Panel Cut-out



Note:

- * \varnothing Important Dimension To Check
- * Waterproof Rate: IP67
- * Housing: Nylon+GF, Black
- * Male Pin: Copper Alloy, Gold Plated
- * Nut: Nylon+GF, Black
- * Gasket: EPDM, Black
- * Use With Waterproof Cap Or Dust Cap
Panel Thickness Max: 3.0mm
- * Use Without Waterproof Cap Or Dust Cap
Panel Thickness Max: 4.5mm

UNIT:mm		
TOLERANCE	.X ±0.25	
.XX ±0.1		
.XXX ±0.05		
ANGLES	±1°	

TITLE Standard Panel Lock 12Pin M Conn. M Pin			
SCALE 2:1	SIZE A4	SHEET 1 OF 1	
REV. E	WC-REV. A.3	\varnothing : Inspection item	

Amphenol LTW
安費諾亮泰企業股份有限公司

ITEM NO BU-12PMMP-LC7001	DRAWN BY Vicky	DATE 2015-09-02
DWG NO BU-12PMMP-LC7001	CHECKED BY Rita	DATE 2015-09-02
CUSTOMER ALTW	APPROVED BY Lion	DATE 2015-09-02

THIS DOCUMENT IS SUBJECT TO CHANGE WITHOUT NOTICE. IT IS CONFIDENTIAL AND A PROPERTY OF AMPHENOL LTW. DISCLOSURE TO THIRD PARTY HAS TO BE AUTHORIZED BY AMPHENOL LTW.