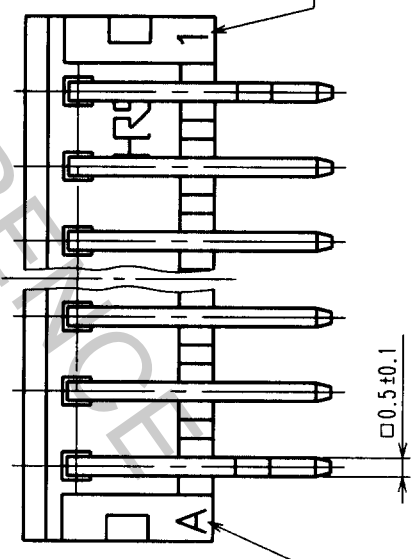
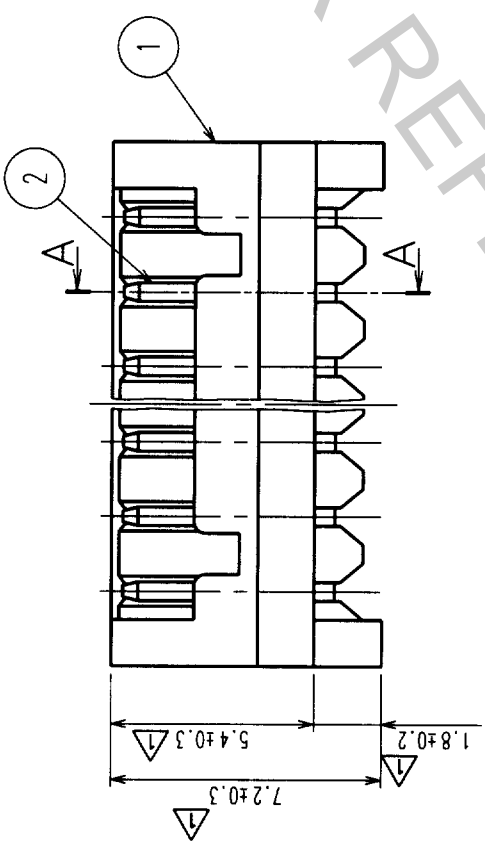
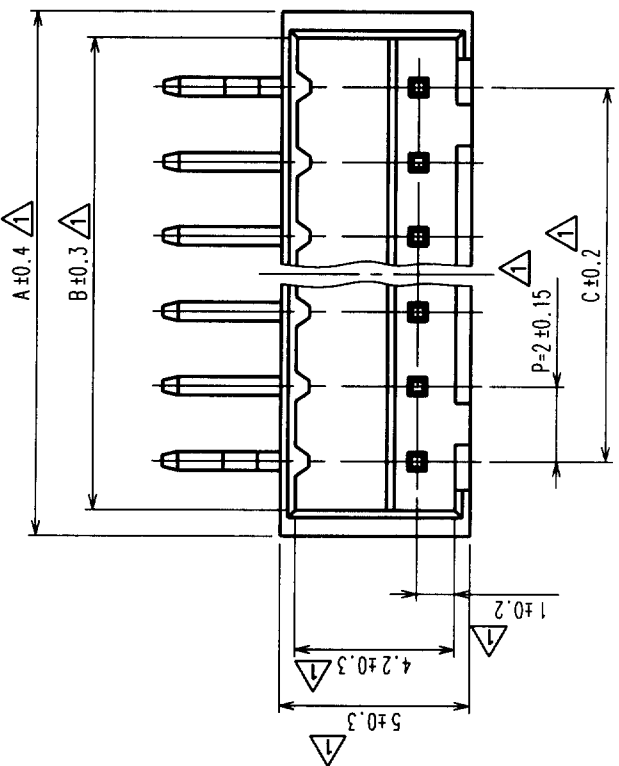
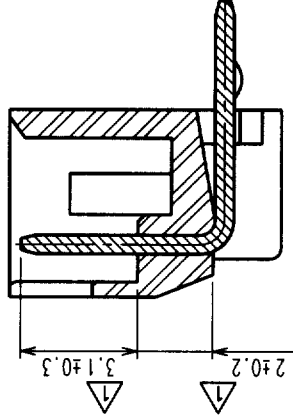


| COUNT | DESCRIPTION OF REVISIONS | BY  | CHKD | DATE    | COUNT | DESCRIPTION OF REVISIONS | BY | CHKD | DATE |
|-------|--------------------------|-----|------|---------|-------|--------------------------|----|------|------|
| 16    | RE-H-03128(C)            | S.H | K.A  | 97.5.31 |       |                          |    |      |      |
|       |                          |     |      |         |       |                          |    |      |      |
|       |                          |     |      |         |       |                          |    |      |      |

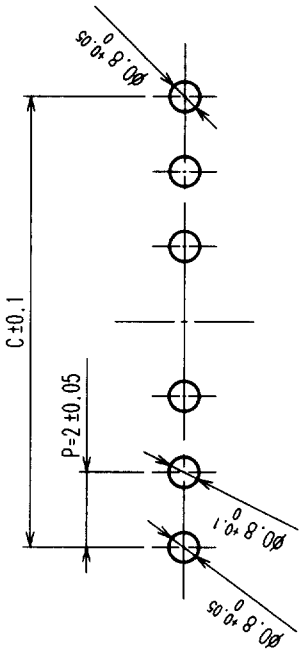


| HRA NO.      | PART NO.     | NUMBER OF CONTACT | A    | B    | C    |
|--------------|--------------|-------------------|------|------|------|
| CL543-0179-4 | DF3A-2P-2DS  | 2                 | 6.0  | 4.6  | 2.0  |
| CL543-0180-3 | DF3A-3P-2DS  | 3                 | 8.0  | 6.6  | 4.0  |
| CL543-0181-6 | DF3A-4P-2DS  | 4                 | 10.0 | 8.6  | 6.0  |
| CL543-0182-9 | DF3A-5P-2DS  | 5                 | 12.0 | 10.6 | 8.0  |
| CL543-0183-1 | DF3A-6P-2DS  | 6                 | 14.0 | 12.6 | 10.0 |
| CL543-0184-4 | DF3A-7P-2DS  | 7                 | 16.0 | 14.6 | 12.0 |
| CL543-0185-7 | DF3A-8P-2DS  | 8                 | 18.0 | 16.6 | 14.0 |
| CL543-0186-0 | DF3A-9P-2DS  | 9                 | 20.0 | 18.6 | 16.0 |
| CL543-0187-2 | DF3A-10P-2DS | 10                | 22.0 | 20.6 | 18.0 |
| CL543-0188-5 | DF3A-11P-2DS | 11                | 24.0 | 22.6 | 20.0 |
| CL543-0189-8 | DF3A-12P-2DS | 12                | 26.0 | 24.6 | 22.0 |
| CL543-0190-7 | DF3A-13P-2DS | 13                | 28.0 | 26.6 | 24.0 |
| CL543-0191-0 | DF3A-14P-2DS | 14                | 30.0 | 28.6 | 26.0 |
| CL543-0192-2 | DF3A-15P-2DS | 15                | 32.0 | 30.6 | 28.0 |

A-A



RECOMMENDED PATTERN



NOTES: No.1 AND \* CONTACT SHALL BE PROCESSED KINK. (\*=2-15)

| NO. | MATERIAL  | FINISH, REMARKS | NO. | MATERIAL | TIN PLATING |
|-----|-----------|-----------------|-----|----------|-------------|
| 1   | POLYAMIDE | BLACK, UL94V-0  | 2   | BRASS    |             |

| CODE NO. (OLD) | DESIGNED    | CHECKED | APPROVED    | RELEASED |
|----------------|-------------|---------|-------------|----------|
|                | H. Igarashi | T. Oma  | M. Yamamoto |          |

| DRAWING NO.    | PART NO.    |
|----------------|-------------|
| EDC3-160110-01 | DF3A-*P-2DS |

| SCALE | UNITS | ITEM |
|-------|-------|------|
| 5 : 1 | MM    | 1    |

TO