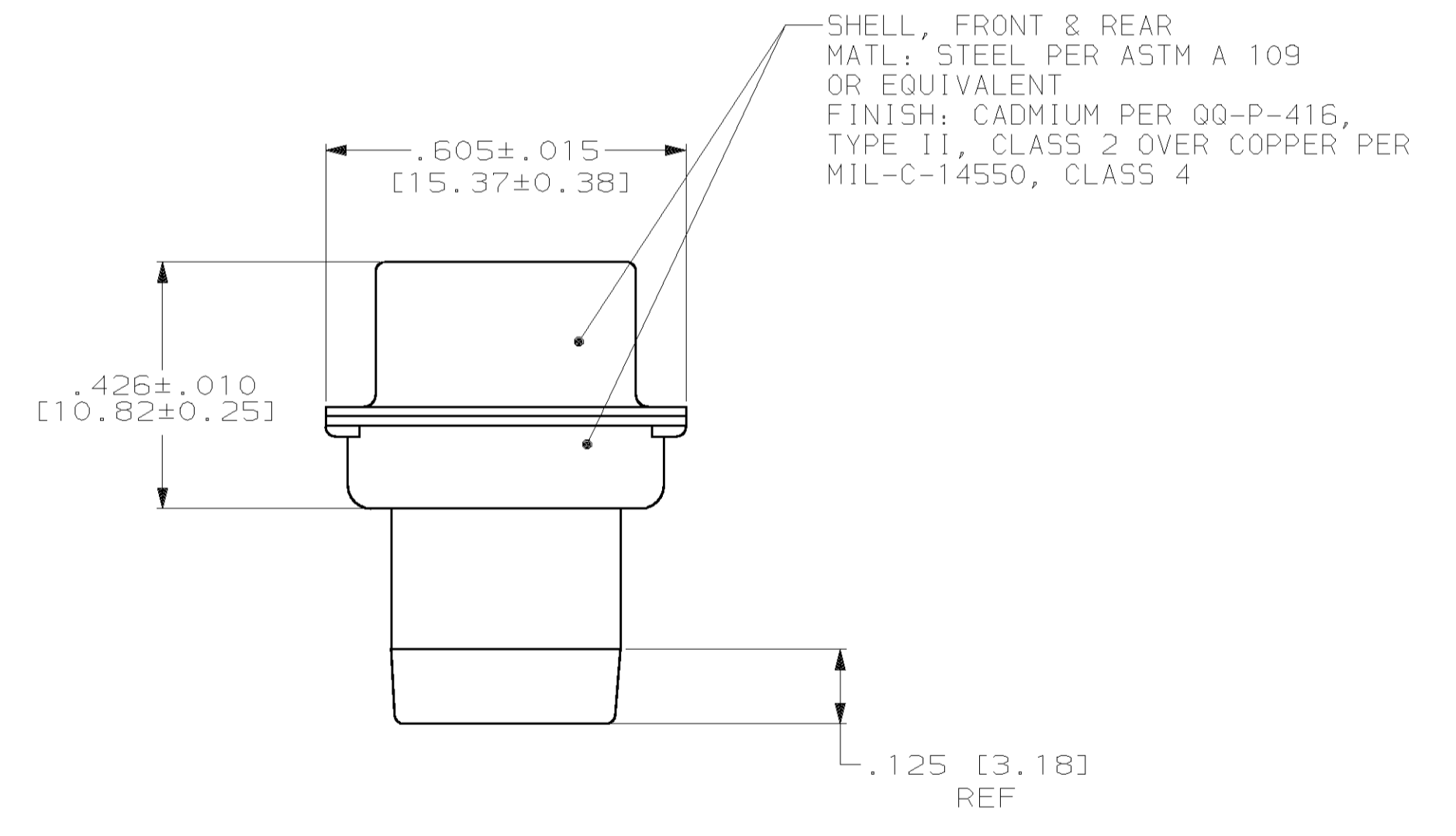
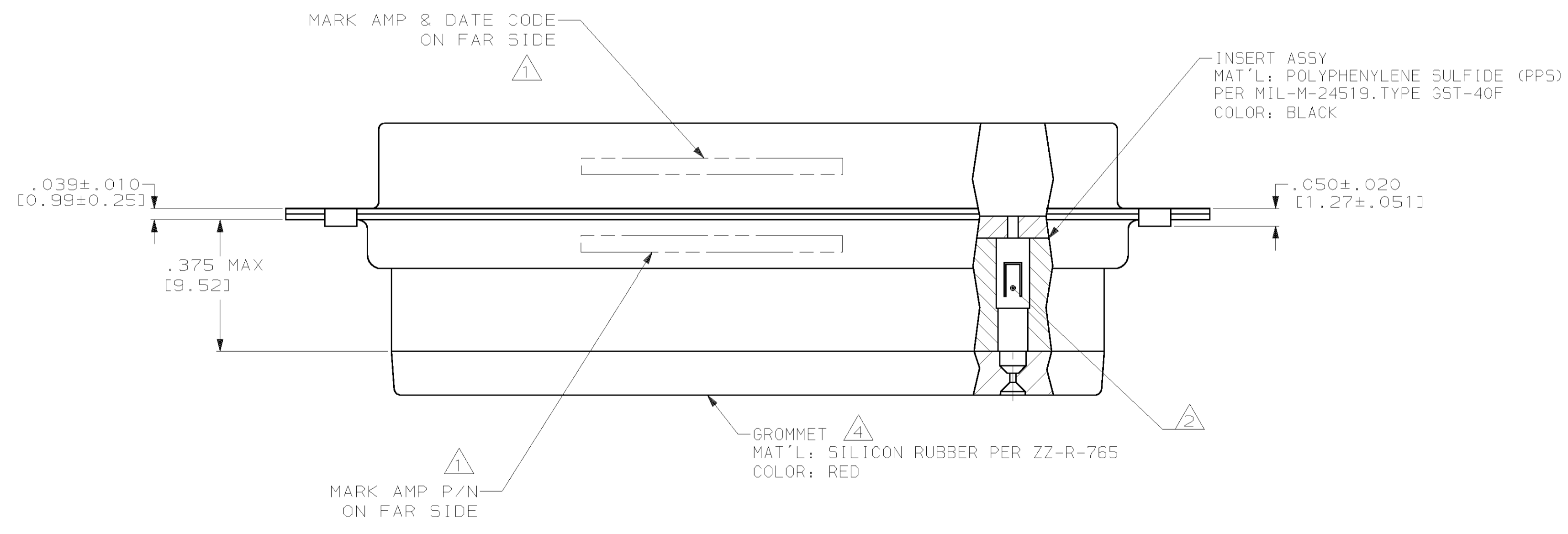
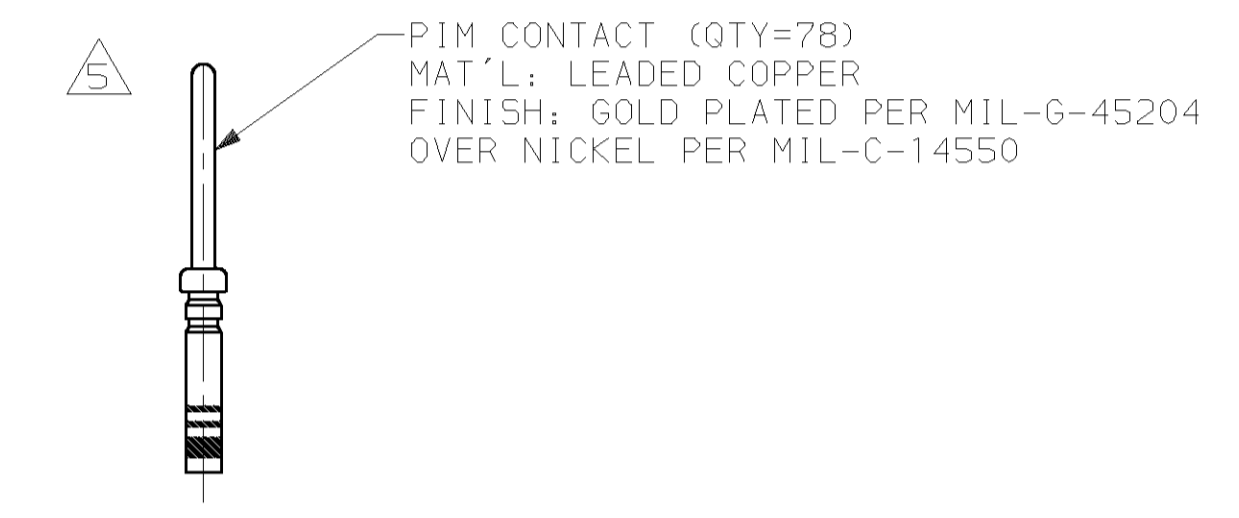
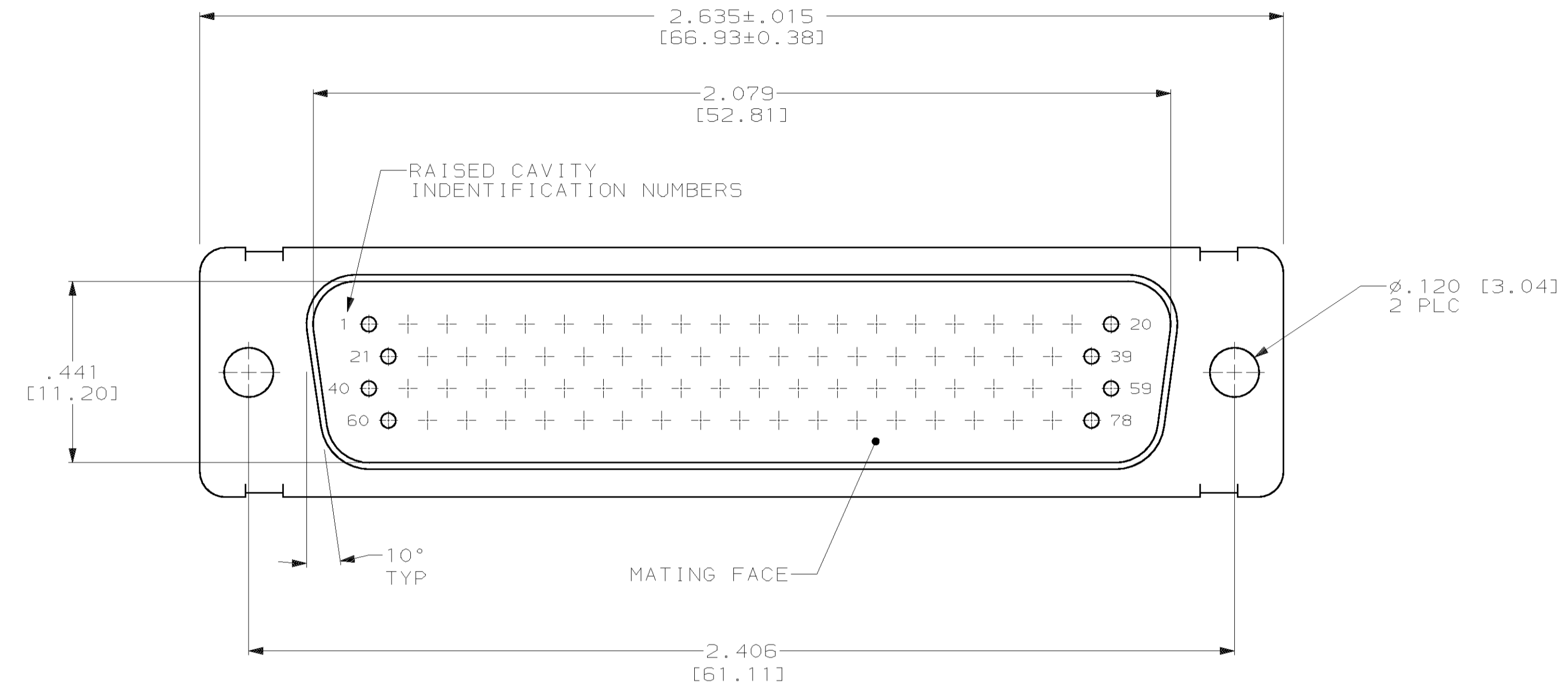


LOC		DIST		REVISIONS			
DF	DO	REV	LYR	DESCRIPTION	DATE	OWN	APVD
		C		REV PER 0630-0284-00	11-00	CT	RG

- 1. MARKED WITH .047 [1.19] HIGH CHARACTERS. FAR SIDE REFERS TO WIDE SIDE OF KEYSTONE, NEAR SIDE REFERS TO NARROW SIDE OF KEYSTONE.
- 2. STAINLESS STEEL RETENTION CLIPS ARE INCLUDED IN INSERTS.
- 3. THIS PLUG WILL MATE WITH ANY RECEPTACLE CONNECTOR WITH THE SAME INSERT ARRANGEMENT.
- 4. MAXIMUM WIRE INSULATION USED WITH THIS CONNECTOR IS .054 [1.37] DIAMETER WITH GROMMET
- 5. CONTACTS ARE PACKAGED SEPARATELY AND SHIPPED WITH CONNECTOR.



1218534-1
 PART NO.

THIS DRAWING IS A CONTROLLED DOCUMENT.		DWN: C.C. THOMAS 9/23/99	AMP Incorporated Harrisburg, PA 17105-3608
DIMENSIONS: INCHES (mm)		CHK: CHAD BAKER 10-5-99	
TOLERANCES UNLESS OTHERWISE SPECIFIED:		APP'D: CHAD BAKER 10-5-99	NAME: PLUG ASSY, SIZE 5, 78 POSN., SERIES 90, AMPLIMITE
0 PLC ±	1 PLC ±	PRODUCT SPEC	SIZE: A1
2 PLC ±	3 PLC ±.005 [0.13]	APPLICATION SPEC	CAGE CODE: 00779
4 PLC ±	ANGLES ±	WEIGHT: -	DRAWING NO: 1218534
MATERIAL: SEE CALLOUTS	FINISH: SEE CALLOUTS	CUSTOMER DRAWING	RESTRICTED TO: -
SCALE: 4:1		SHEET: 1 OF 1	REV: C