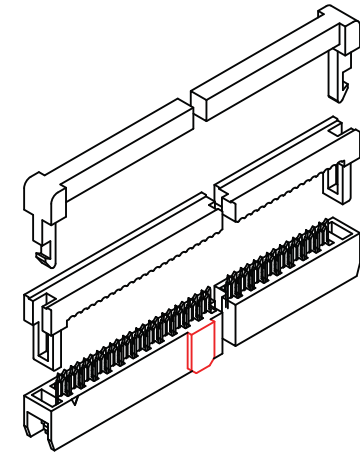
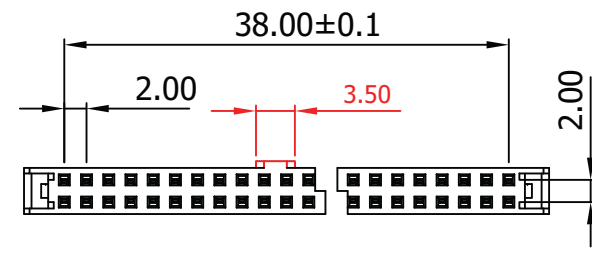
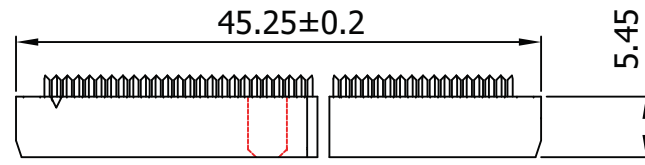
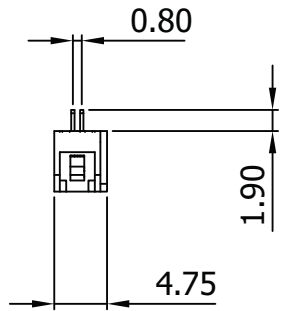
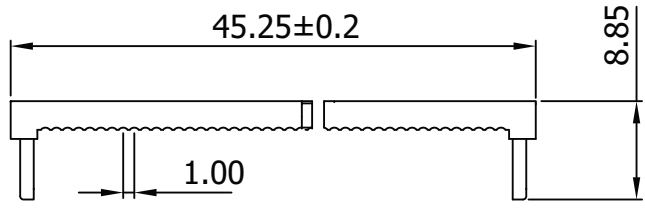
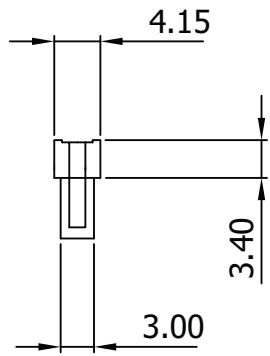


## I.D.C SOCKET DUAL-ROW



### Material:

- Insulator: P.B.T. 30% Glass Fiber, UL 94V-0
- Contact Material: Phosphor Bronze, Gold flash over Nickel

### Electrical:

- Current Rating: 1Amp DC
- Insulation Resistance: 1,000MΩ Min.
- Dielectric Withstanding: 500V AC
- Operating Temperature: -55°C ~ +105°C

Unit: MM±0.30MM

Scale	1:1						Name
TOLERANCE					Drawn	10.19.11	Chappell
X.X	±0.40				Approved		
X.XX	±0.25						
X.XXX	±0.15						
Angle	±3°						
Modification		Date	Name				

Item No. <b>AWP2-40-7241-T-R</b>	
Title IDC-Socket - 2.00MM Pitch, Gold Flash, Central Lug w/Strain Relief, 40 Contacts	
Drawing No.	<b>rev00</b>
Replace	
Sheet	

