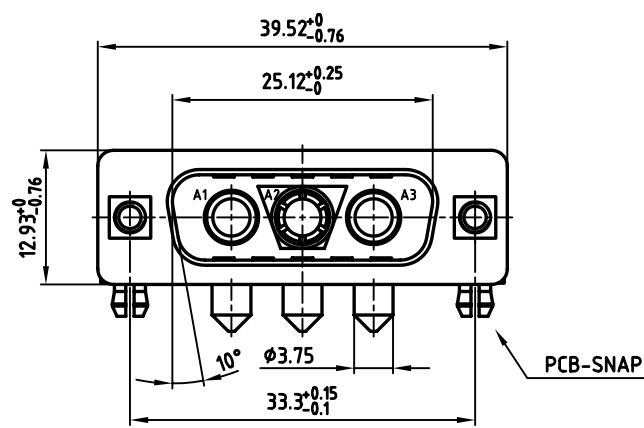
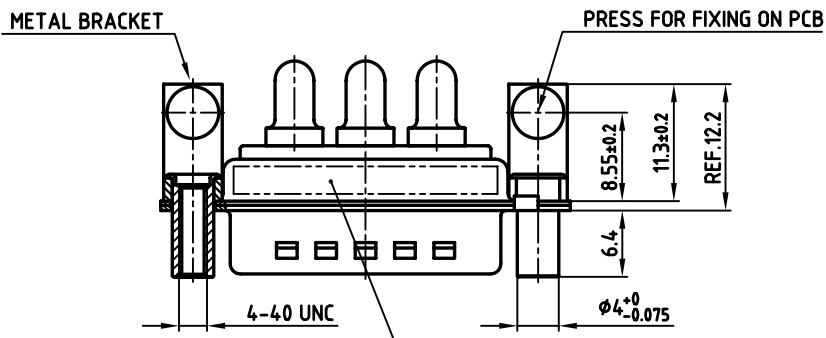


P.C.B.-HOLE DRILLINGS (b)

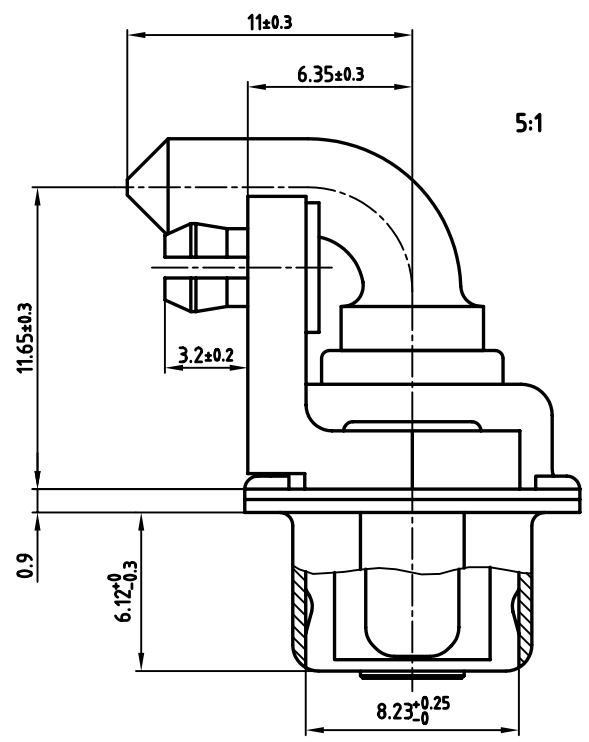


PCB-SNAP

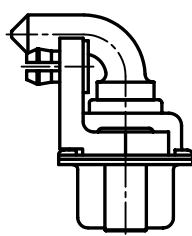


SEE NOTE 8

used for: D-SUB COMBINATION



5:1



NOTES:

1. METALSHELLS: STEEL; min. 315µm TIN over 40-80µm NICKEL
2. INSULATORS: PBT GF UL 94 V-0, GREEN
3. HIGH POWER CONTACTS 40A: COPPER ALLOY
 PLATING MATING AREA: 30µm HARD GOLD OVER min. 50µm NICKEL
 PLATING TERMINATION SIDE: 160-240µm TIN OVER 80µm NICKEL
 MALE CONTACT ON POS. A1 + A3
 FEMALE CONTACT ON POS. A2
4. METAL BRACKET: ZINC DIE CAST; 300µm COPPER/40-120µm NICKEL/120-200µm TIN
5. THREADED LOCK: COPPER ALLOY; min. 200µm TIN over 80µm NICKEL
6. PCB-SNAP: COPPER ALLOY; min. 200µm TIN over 80µm NICKEL
 PCB-HOLE: 3.1 ± 0.1; PCB THICKNESS 1.6mm
7. MAXIMUM TORQUE VALUE FOR THREAD: 6 in.LB
8. CONNECTOR IS PART MARKED: 303W3CPXX58P40X CONEC ABC

Directive 2002/95 EC
 „RoHS“
 Compliant

APPROVAL # FREIGABE # DEBLOCAGE # AUTORIZACION # APPROVAL

CUSTOMER APPROVAL DATE:

NAME: TITLE:

COMPANY NAME:

APPROVAL # FREIGABE # DEBLOCAGE # AUTORIZACION # APPROVAL

THIS DRAWING MAY NOT BE COPIED OR REPRODUCED IN ANY WAY, AND MAY NOT BE PASSED ON TO A THIRD PARTY, WITHOUT WRITTEN PERMISSION. OWNERSHIP AND COPYRIGHT OF CONEC GmbH DO NOT ALTER CAD DRAWING BY HAND

rev.	description	date	name
1 x b	Ä 2580	02.10.2006	Lehmen
a	Origin		

tolerance	dim. in mm
2002	date
drawn	16.05. E. Mickenbecker
appd.	16.05. J. Resonnek
norm	
d-old	

scale: 2:1 (5:1)

material: SEE NOTES

title: D-SUB COMBINATION MALE 90°
 3W3CP
 with threaded lock, metal bracket and snap

dwg no: AutoCAD 2000 DIN-A
 3 sh: 1/1

part no: 303W3CPXX58P40X

