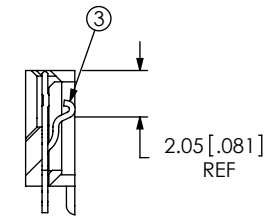
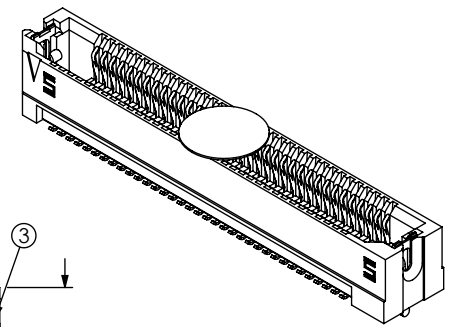
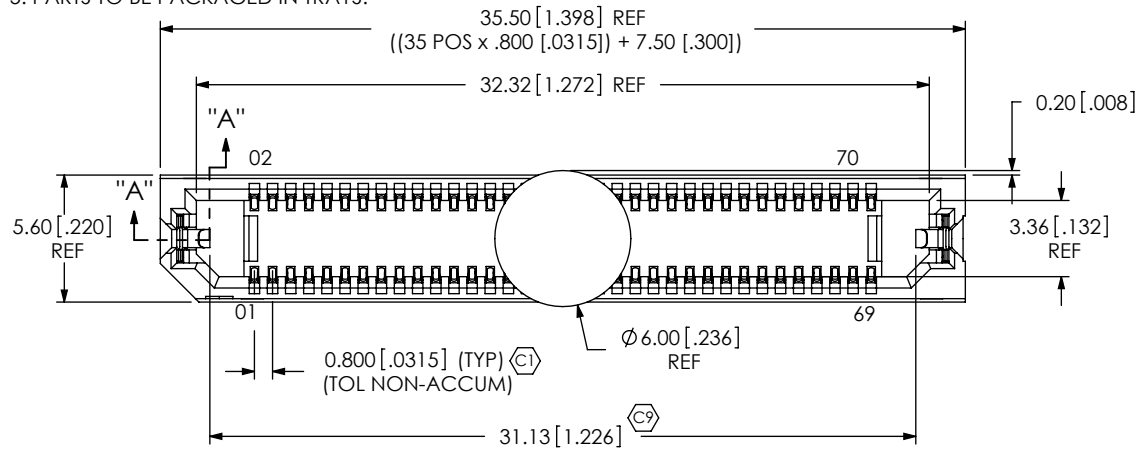


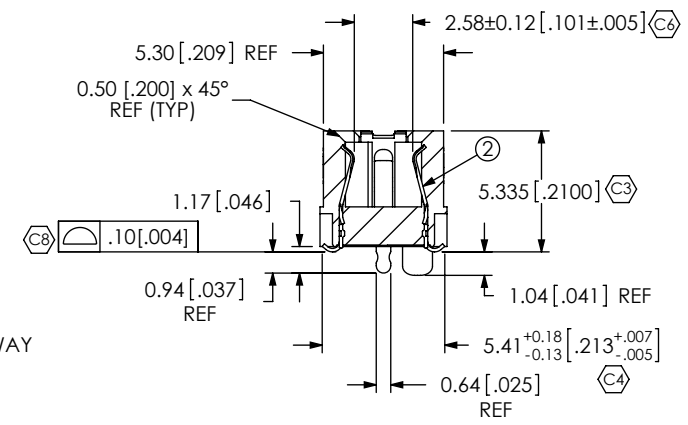
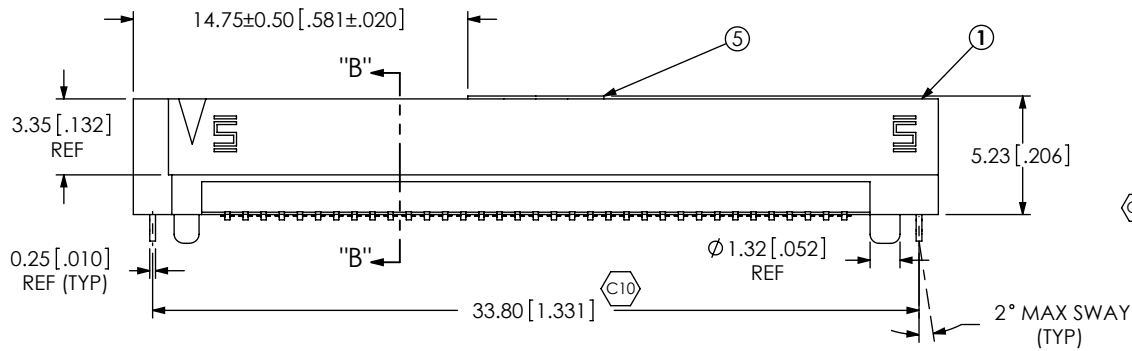
REVISION D

DO NOT SCALE FROM THIS PRINT

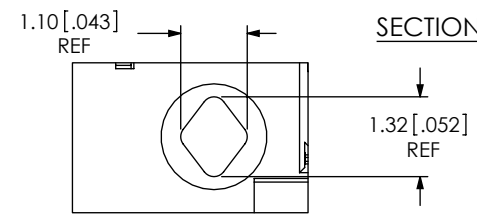
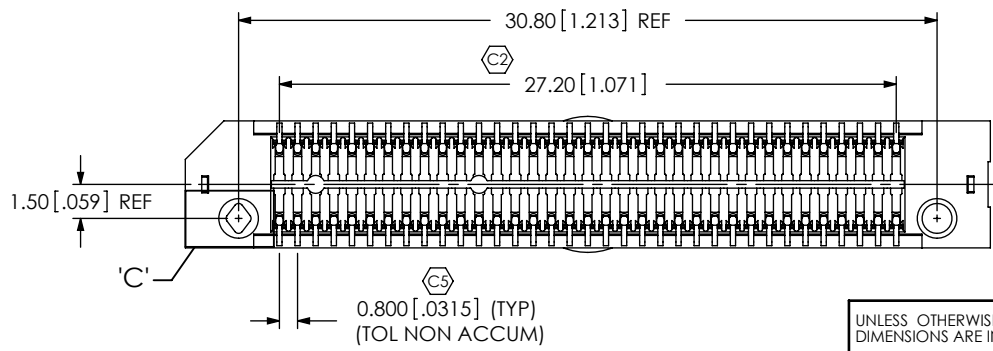
- NOTES:  
 1. STANDARD PART SETUP AS ASP NOT AVAILABLE AS STANDARD.  
 2. Ⓢ REPRESENTS A CRITICAL DIMENSION.  
 3. MAXIMUM BURR ALLOWANCE: .038 [.0015].  
 4. MINIMUM PUSHOUT FORCE: 2.22N [.5LB].  
 5. PARTS TO BE PACKAGED IN TRAYS.



SECTION "A"- "A"



SECTION "B"- "B"



DETAIL 'C'  
SCALE 8 : 1

ITEM NO.	PART NUMBER	QUANTITY	MATERIAL
1	ERF8-035-05-0-DV-L	1.0000	VECTRA E130i, COLOR: BLACK
2	C-211-05-0-S	70.000	BeCu, 390 HT
3	WT-30-01-F	2.0000	BeCu, #25, 1/2 HT
4	TY-ASP127	1.0000	BLACK HIPS
5	K-500-300	.50000	POLYIMIDE FILM

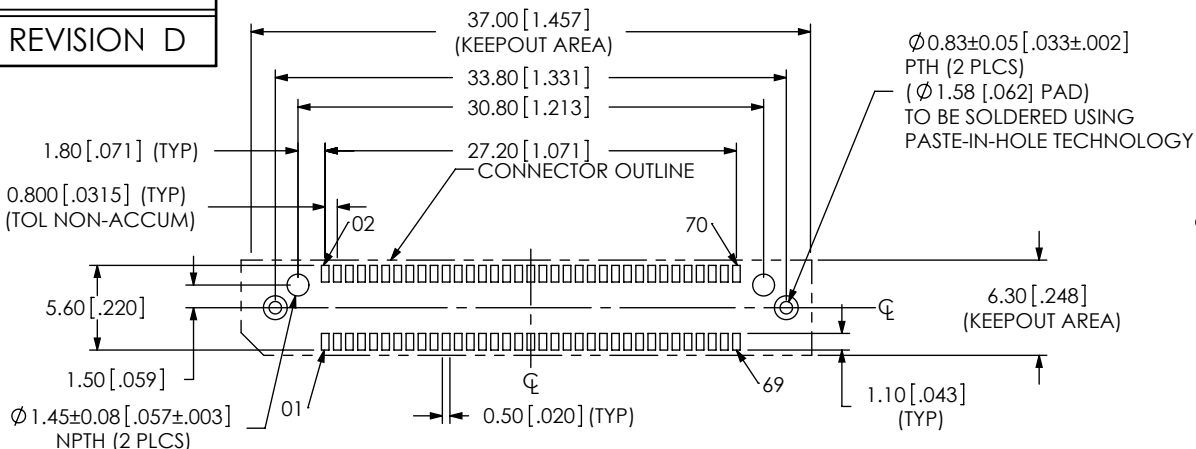
UNLESS OTHERWISE SPECIFIED, DIMENSIONS ARE IN MILLIMETERS. TOLERANCES ARE:  
 DECIMALS ANGLES  
 .X: ±.3[.01] 2°  
 .XX: ±.13[.005]  
 .XXX: ±.051[.0020]

PROPRIETARY NOTE  
 THIS DOCUMENT CONTAINS INFORMATION CONFIDENTIAL AND PROPRIETARY TO SAMTEC, INC. AND SHALL NOT BE REPRODUCED OR TRANSFERRED TO OTHER DOCUMENTS OR DISCLOSED TO OTHERS OR USED FOR ANY PURPOSE OTHER THAN THAT WHICH IT WAS OBTAINED WITHOUT THE EXPRESSED WRITTEN CONSENT OF SAMTEC, INC.

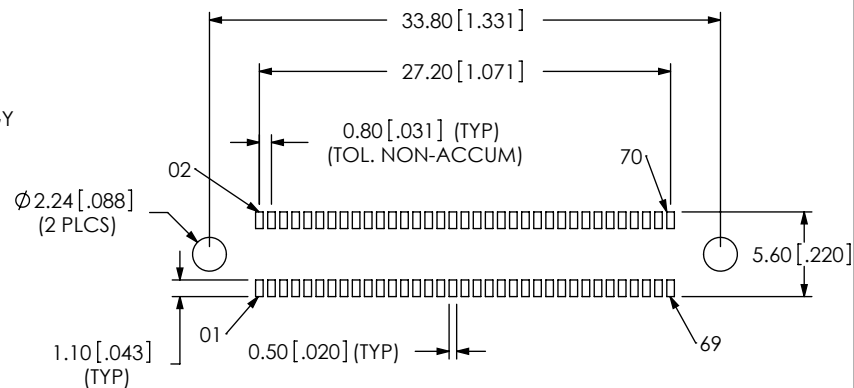
**samtec**  
 520 PARK EAST BLVD, NEW ALBANY, IN 47150  
 PHONE: 812-944-6733 FAX: 812-948-5047  
 e-Mail: info@SAMTEC.com code 53322

DO NOT SCALE DRAWING SHEET SCALE: 3:1  
 PLATING:  
 CONTACT AREA: .000030 GOLD OVER .000050 NICKEL  
 REMAINDER: .000200 REF TIN OVER .000050 NICKEL  
 LATCHES: .000003 GOLD OVER .000050 NICKEL

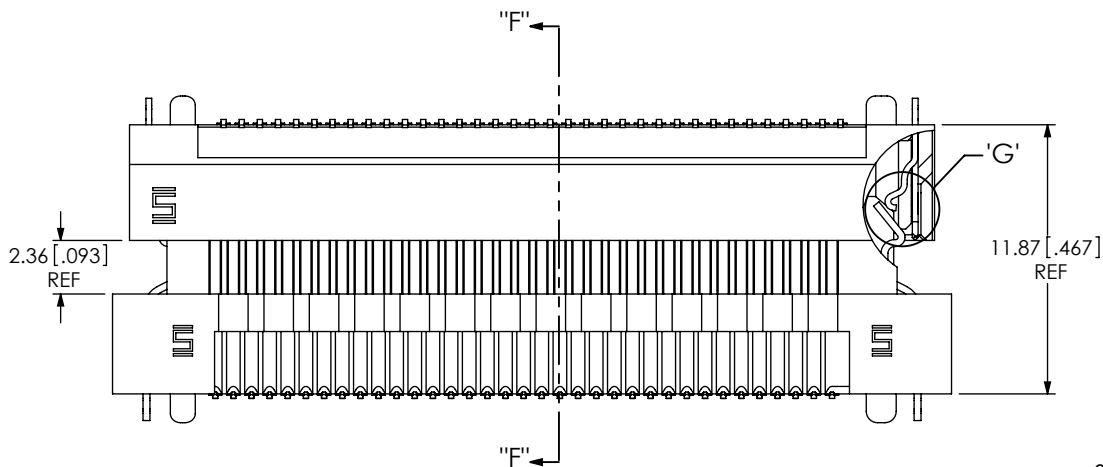
DESCRIPTION: ERF8 ASSEMBLY  
 DWG. NO. ASP-135029-01



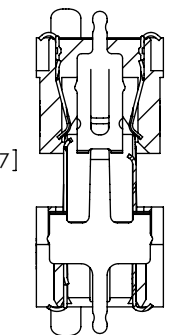
RECOMMENDED PCB LAYOUT



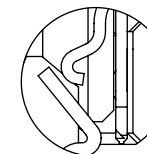
RECOMMENDED STENCIL LAYOUT



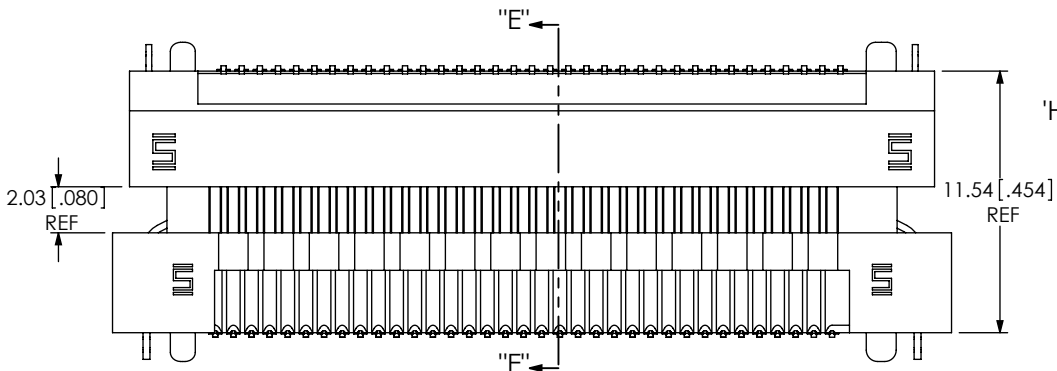
LATCH ENGAGING VIEW



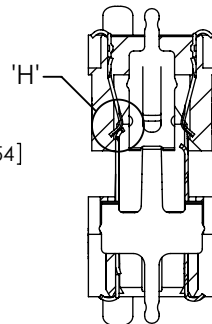
SECTION "F"-"F"



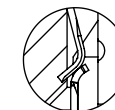
DETAIL 'G'  
SCALE 6:1



PIN ENGAGING VIEW



SECTION "E"-"E"



DETAIL 'H'  
SCALE 6:1

PROPRIETARY NOTE  
THIS DOCUMENT CONTAINS INFORMATION  
CONFIDENTIAL AND PROPRIETARY TO  
SAMTEC, INC. AND SHALL NOT BE REPRODUCED  
OR TRANSFERRED TO OTHER DOCUMENTS OR  
DISCLOSED TO OTHERS OR USED FOR ANY  
PURPOSE OTHER THAN THAT WHICH IT WAS  
OBTAINED WITHOUT THE EXPRESSED WRITTEN  
CONSENT OF SAMTEC, INC.

**samtec**

520 PARK EAST BLVD, NEW ALBANY, IN 47150  
PHONE: 812-944-6733 FAX: 812-948-5047  
e-Mail info@SAMTEC.com code 55322

SHEET SCALE: 3:1

DESCRIPTION:

ERF8 ASSEMBLY

DWG. NO.

ASP-135029-01

BY: J. BROWNING 10/12/2007

SHEET 2 OF 2