

Würth Elektronik eiSos GmbH & Co. KG

EMC & Inductive Solutions

Max-Eyth-Straße 1 · 74638 Waldenburg · Germany

Tel. +49 (0) 79 42 945-0 · Fax +49 (0) 79 42 945-400

eiSos@we-online.de · www.we-online.de



Product / Process Change Notification (PCN)

- Major change
 Minor change

PCN #: PCN_AsSSTII_20220428
Affected Series: WA-SSTII, 970250581, 970250611
PCN Date: January 28, 2022
Effective Date: April 28, 2022

Change Category:

Equipment / Location
 General Data
 Material
 Process
 Product Design
 Shipping / Packaging
 Supplier
 Software

Contact: Product Management
Phone: +49 (0) 7942 - 945 5001
Fax: +49 (0) 7942 - 945 5179
E-Mail: pcn.eican@we-online.com

Data Sheet Change:

Yes No
Attachment:

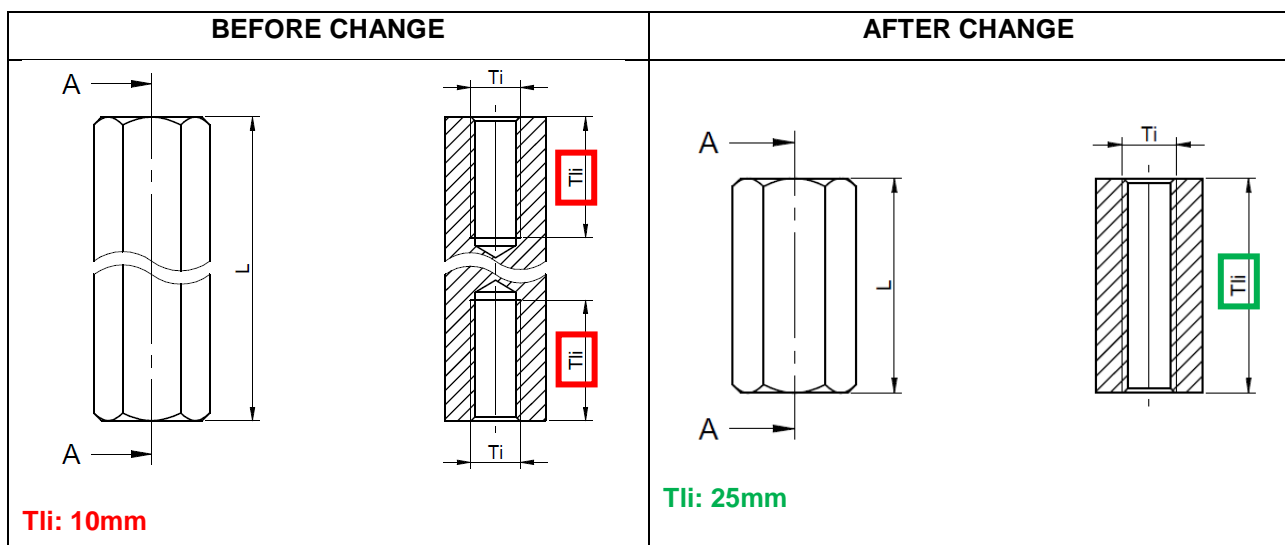
Yes No

DESCRIPTION AND PURPOSE OF CHANGE:

Because of a database mismatch, Würth Elektronik will correct the drawing in the datasheet from blind hole thread to through hole thread.

This is a datasheet correction only. There will be no change in form, fit, function, quality or reliability of the product.

DETAIL OF CHANGE:



RELIABILITY / QUALIFICATION SUMMARY:

There will be no change of the product, therefore no additional reliability or qualification testing will be performed.