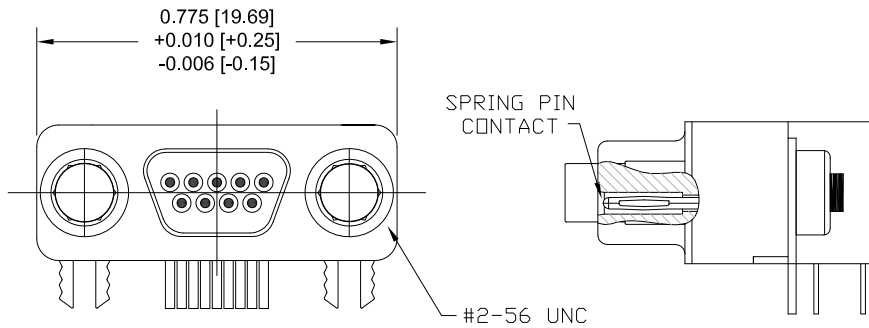


DESCRIPTION: MICRO D-SUB CONNECTOR - MALE - RIGHT ANGLE



NOTE:

MATERIAL
INSULATOR
CONTACT

THERMOPLASTIC 94V-0
COPPER ALLOT, NICKEL UNDERPLATE
15u" GOLD MATING AREA
TIN ON SOLDER TAILS
TIN PLATED STEEL

SHELL

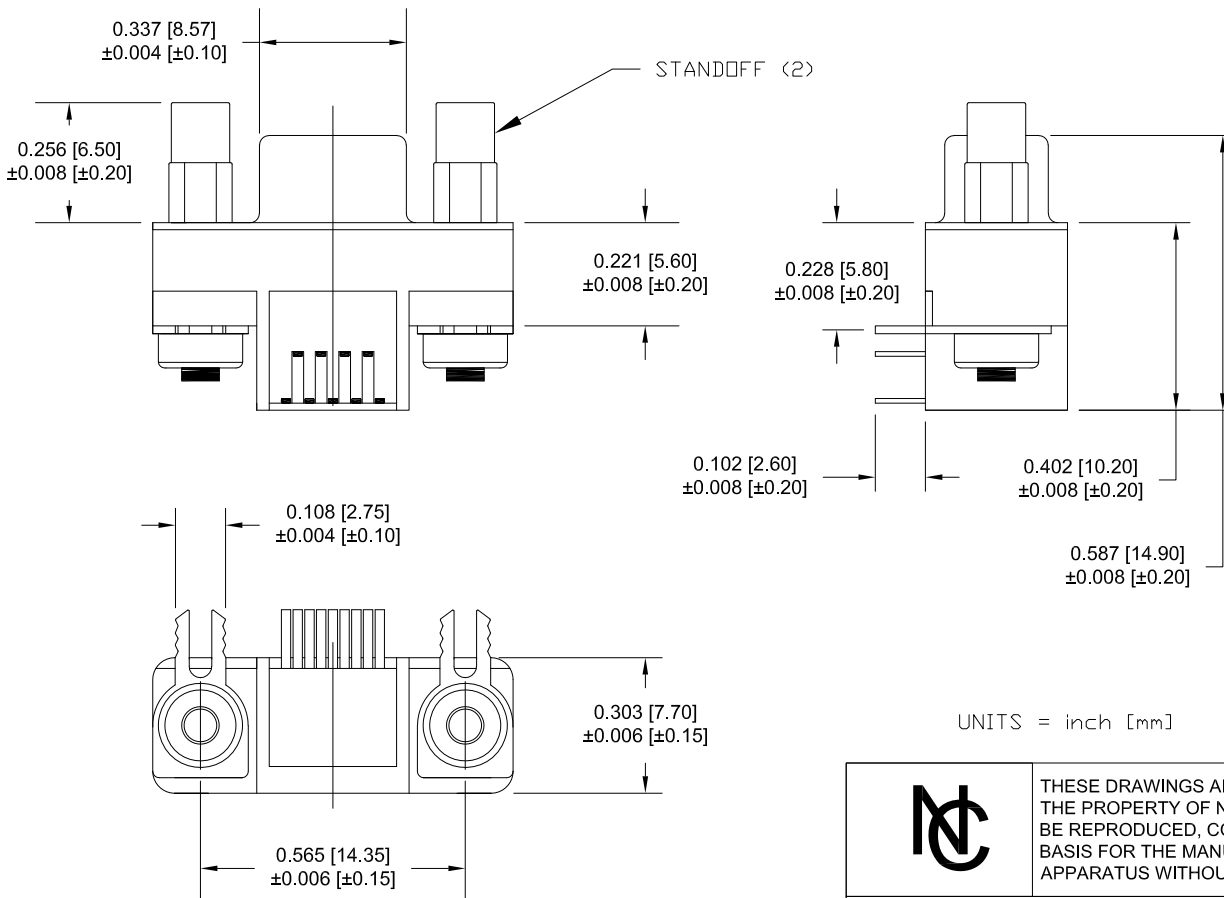
ELECTRICAL
RATED CURRENT
D.W.V.
INSULATOR RESISTANCE
CONTACT RESISTANCE

1A
500 VAC 1 MIN
1000 MOhms MIN.
45 mOhms MAX.

ENVIRONMENT

OPERATION TEMPERATURE -55°C TO +85°C

2.5in-lbs torque max for standoffs



381-009-112L5Y5

SERIES
POSITIONS
GENDER
1 = MALE
TERMINATION
1 = DIP SOLDER
SHELL PLATING
2 = TIN
RoHS COMPLIANT
HARDWARE OPTIONS
1 = BOARDLOCKS ONLY
6 = STANDOFFS & BOARDLOCKS
PLATING OPTIONS
5 = 15u" GOLD PLATING



NOTE:

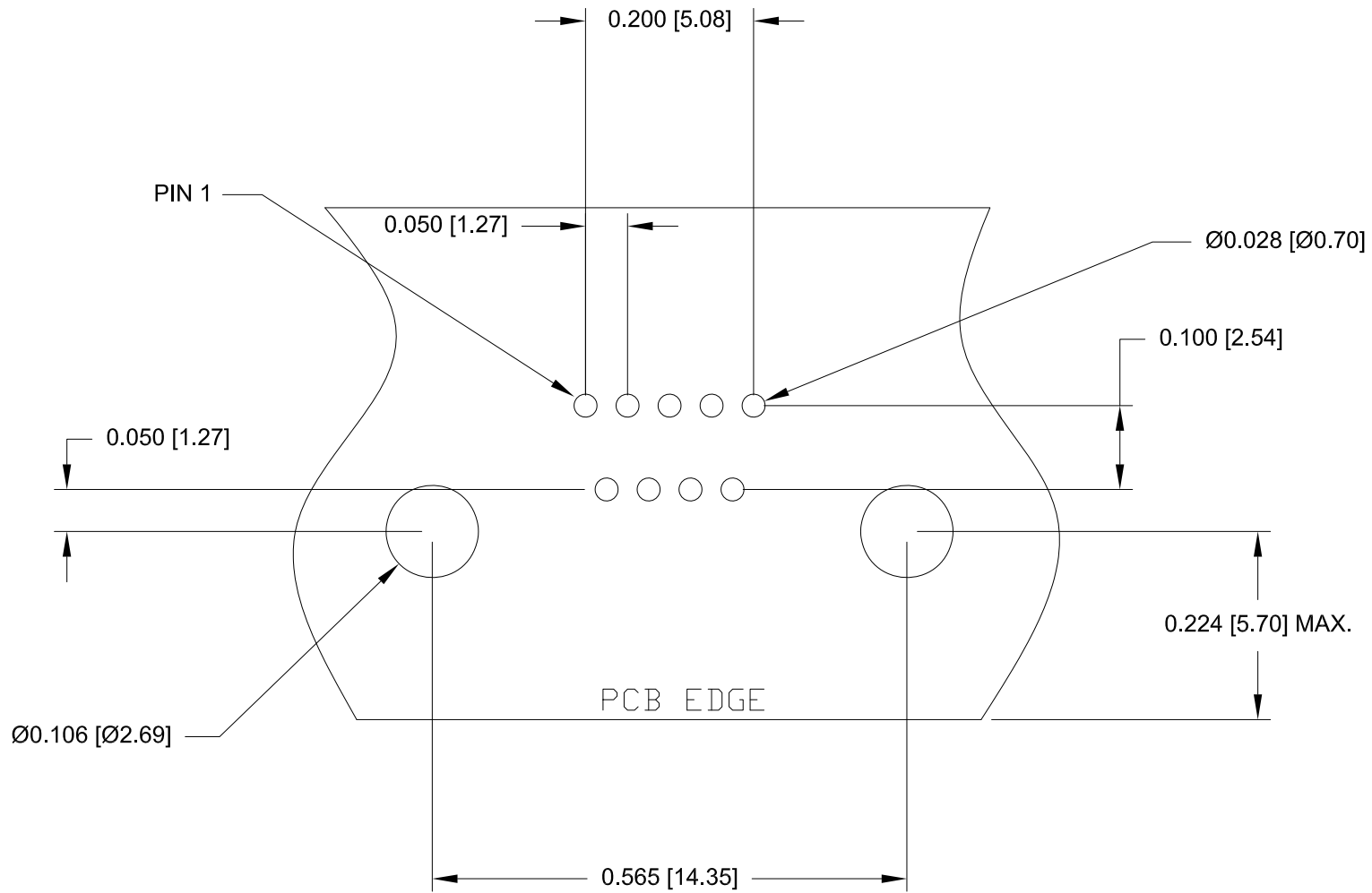
**NOT DESIGNED TO MATE WITH NORCOMP 580-M // 581-M SERIES CONNECTORS. IF ANY QUESTIONS PLEASE CONTACT ENG@NORCOMP.NET

UNITS = inch [mm]

DO NOT SCALE FROM DRAWING

RoHS COMPLIANT

	THESE DRAWINGS AND SPECIFICATIONS ARE THE PROPERTY OF NorComp AND SHALL NOT BE REPRODUCED, COPIED OR USED AS THE BASIS FOR THE MANUFACTURE OF SALE OF APPARATUS WITHOUT WRITTEN PERMISSION.		DRAWN: M. SIGMON	DATE: 08-18-11
			SCALE: NTS	SHEET 1 OF 2
			DWG NO. 381-009-112L565	



RECOMMENDED PC BOARD LAYOUT
(9 POSITION ONLY) TOLERANCE ± 0.002 [± 0.05]

DO NOT SCALE FROM DRAWING

UNITS = inch [mm]



THESE DRAWINGS AND SPECIFICATIONS ARE THE PROPERTY OF NorComp AND SHALL NOT BE REPRODUCED, COPIED OR USED AS THE BASIS FOR THE MANUFACTURE OF SALE OF APPARATUS WITHOUT WRITTEN PERMISSION.

DRAWN:

M. SIGMON

DATE:

08-18-11

NorComp

SCALE:

NTS

SHEET

2

OF

2

REV

5

DWG NO.

381-009-112L565

RoHS COMPLIANT