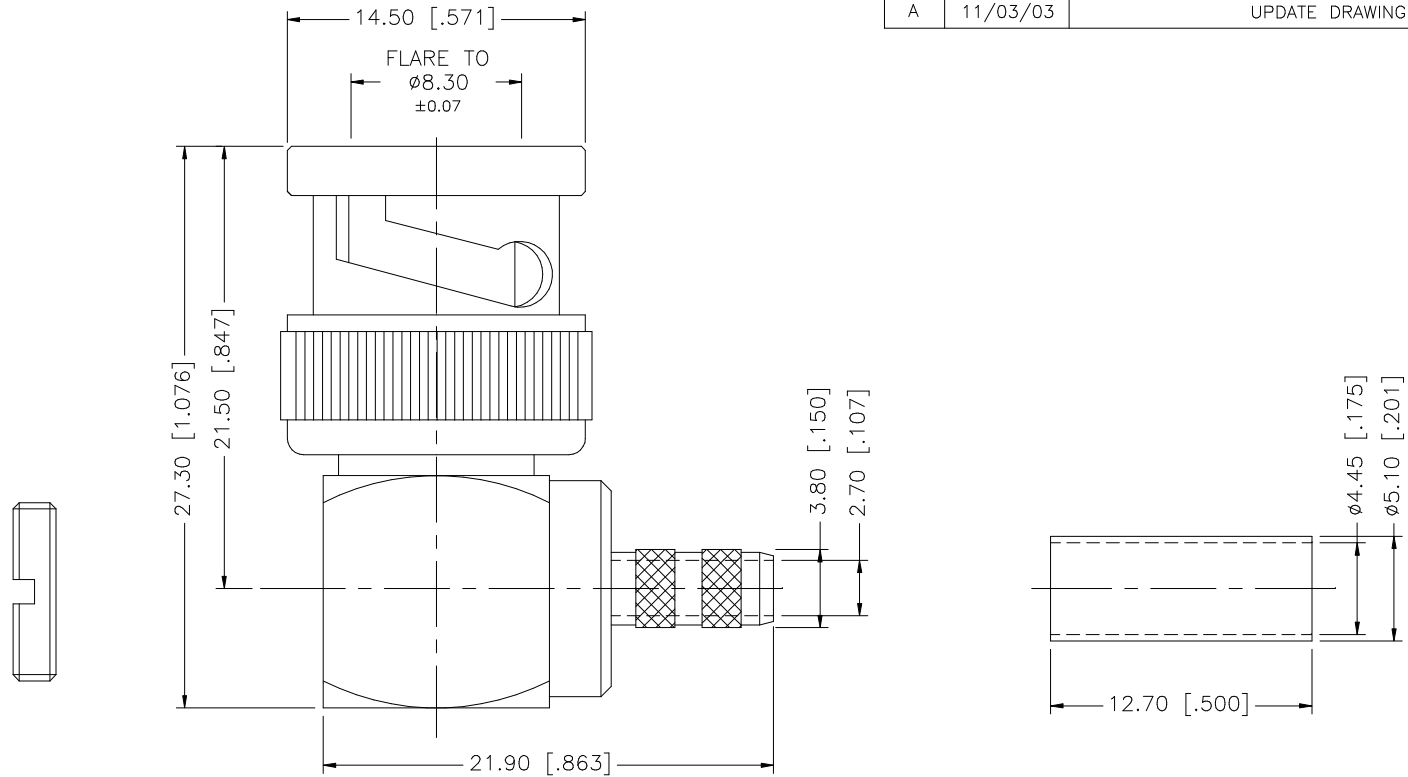
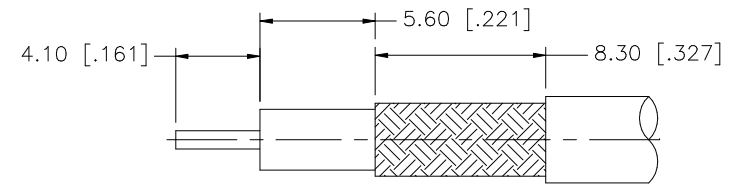


REV.	DATE	DESCRIPTION
NC	04/16/98	INITIAL RELEASE
A	11/03/03	UPDATE DRAWING FORMAT



NOTE:

1. CRIMPED FERRULE  
HEX CRIMP SIZE .178"
2. CONTACT PIN TO SOLDER



RECOMMENDED  
CABLE STRIPPING DIM'S

				UNLESS OTHERWISE SPECIFIED DIMENSIONS ARE IN MILLIMETERS. DIMENSIONS IN [ ] ARE IN INCHES AND FOR CUSTOMER REFERENCE ONLY.	APPROVALS	DATE	<h1 style="color: blue; margin: 0;">Amphenol Connex</h1>						
8					DRAWN	G.R.S.					11/03/03	<b>PART DESCRIPTION</b> BNC R/A CRIMP PLUG (FOR BELDEN 8218) RG-180/U, 195/U, 122/U CABLE - 75ohm	
7					CHECKED			<b>PART NO.</b> 112588					
6					ISSUED							<b>DWG. NO.</b> 112588.DWG	
5	NUT	BRASS	NICKEL	1	SHEET	1 OF 1		REV.	A	SIZE	A		
4	FERRULE	COPPER	NICKEL	1	UNLESS OTHERWISE SPECIFIED TOLERANCES FOR MILLIMETERS ARE: 0.5 - 8mm ± 0.20mm 8 - 30mm ± 0.40mm 30 - 120mm ± 0.50mm  UNLESS OTHERWISE SPECIFIED TOLERANCES FOR INCHES ARE: .020 - .315 = ± 0.007" .315 - 1.180 = ± 0.015" 1.180 - 4.724 = ± 0.020"				<b>DWG. NO.</b> 112588.DWG				
3	CONTACT PIN	BRASS	GOLD	1									<b>CAD FILE</b> C:/112/112588.DWG
2	INSULATOR	TEFLON	NATURAL	1	<b>DO NOT SCALE DRAWING</b>								
1	BODY	BRASS	NICKEL	1									
DESCRIPTION				MATERIAL	FINISH	QTY							