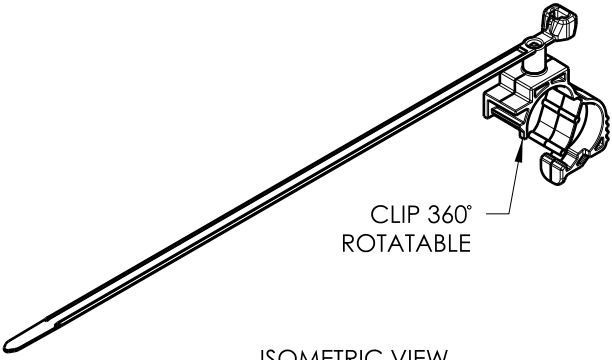
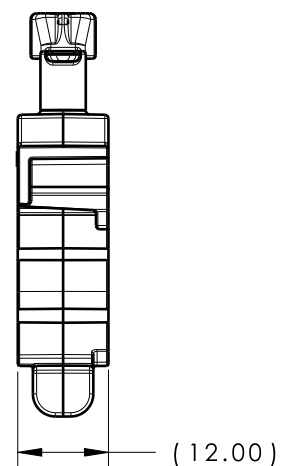
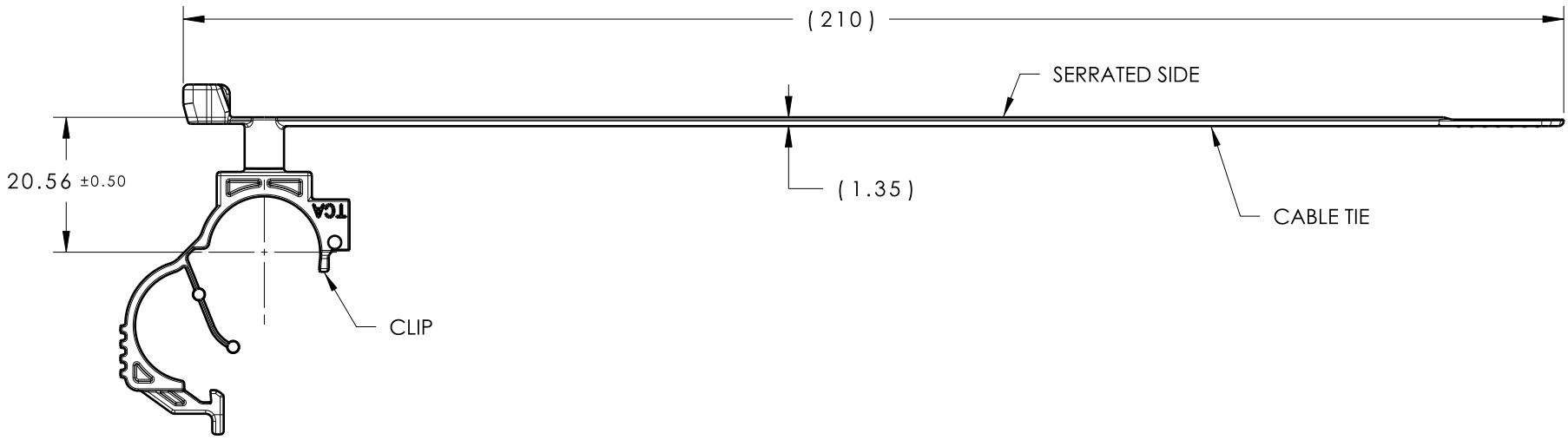
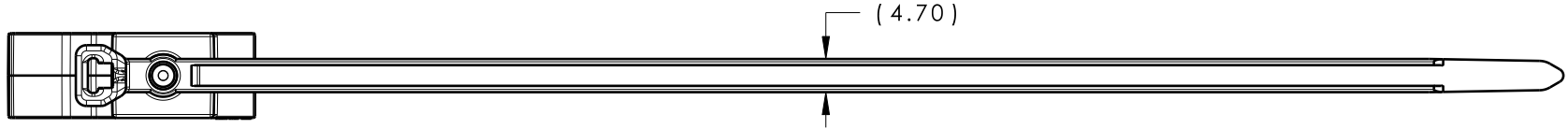


Revision Level			Revision Record	Changed	Date	Approved	Date
Drawing	State	Part					
01.1	Design Release	-	SEE ECN# 014514	KVH	08/03/18	CJR	08/03/18



ISOMETRIC VIEW  
SCALE 1:2



01.1

01.1

GLOBAL PART DESCRIPTION	BUNDLE RANGE	CABLE TIES			CLIP		
		DRAWING	MATERIAL	COLOR	DRAWING	MATERIAL	COLOR
T50SMVCLOC10-14-PA66HS/PA66HIRHSUV-BK	2 TO 50	14-0606-002-CSU	PA66HS	BLACK	11-0594-031-CSU	PA66HIRHSUV	BLACK

Material SEE CHART COLOR: SEE CHART	Units	millimeters	The copyright of this drawing is reserved by HellermannTyton. It is issued on condition that it is not reproduced, copied or disclosed to a third party, either wholly or in part, without the consent of HellermannTyton.	Drawn	KVH	9/6/17	Article/Type-No	T50SMVCLOC10-14	Scale	1:1	
	Tolerance defined on each dimension	Approved		EJH	9/7/17	Title	T50 TIE STRAP WITH 10-14mm LOCKING OMEGA CLIP		Project Number	11-0594	
		<b>HellermannTyton</b> North America Email: corp@htamericas.com Web: www.hellermann.tyton.com					Drawing-No	PRODUCTION : Phase	Format	B	
							<b>11-0594-141-CSU</b>		Sheet	1/1	