

K I N E C H E K S

SPECIFICATIONS (METRIC)

CHOOSE YOUR KINECHEK FROM THIS TABLE

		1	2	3	4	5	6	7	8	9	10				
Model No. of Kinechek	Description	Stroke (mm)	Max. Energy Absorption Capacity Per Stroke	Minimum Force That Will Operate Plunger Full Stroke	Plunger Return Spring Force	Time Req'd for Plunger to Return Outward if Released Suddenly	Load That Will Push Plunger 25mm/Sec. at Fastest Adjustment	Load That Will Push Plunger 100mm/Sec. at Fastest Adjustment	Time for Full Stroke of Plunger at Slowest Adjustment						
											1334N Load	667N Load	333N Load	111N Load	
MINI K															
Capacity: 1780N Max. - Including Impact When Load Strikes Plunger	3021-19-1/2	extra fast						.05 sec.	12N	16N	0.5 sec.	1 sec.	2 sec.	6 sec.	
	3023-19-1/2	fast	12.7		12N	9N	.08 sec.	13N	18N	3 sec.	6 sec.	12 sec.	36 sec.		
	3022-19-1/2	standard					.18 sec.	14N	23N	6 sec.	12 sec.	24 sec.	72 sec.		
	3024-19-1/2	slow speed					1.1 sec.	23N	40N	30 sec.	60 sec.	120 sec.	360 sec.		
	3021-19-1	extra fast					.09 sec.	12N	16N	1 sec.	2 sec.	4 sec.	12 sec.		
	3023-19-1	fast	25.4		12N	9N	.13 sec.	13N	18N	6 sec.	12 sec.	24 sec.	72 sec.		
	3022-19-1	standard					.32 sec.	14N	23N	12 sec.	24 sec.	48 sec.	144 sec.		
	3024-19-1	slow speed					1.9 sec.	23N	40N	60 sec.	120 sec.	240 sec.	720 sec.		
	3021-19-1 1/4	extra fast					.12 sec.	12N	16N	1.2 sec.	2.5 sec.	5 sec.	15 sec.		
	3023-19-1 1/4	fast	31.75		12N	9N	.17 sec.	13N	18N	7.5 sec.	15 sec.	30 sec.	90 sec.		
	3022-19-1 1/4	standard					.42 sec.	14N	23N	15 sec.	30 sec.	60 sec.	180 sec.		
	3024-19-1 1/4	slow speed					2.5 sec.	23N	40N	75 sec.	150 sec.	300 sec.	900 sec.		
	3021-19-1 1/2	extra fast					.15 sec.	12N	16N	1.5 sec.	3 sec.	6 sec.	18 sec.		
	3023-19-1 1/2	fast	38.1		12N	9N	.21 sec.	13N	18N	9 sec.	18 sec.	36 sec.	108 sec.		
	3022-19-1 1/2	standard					.51 sec.	14N	23N	18 sec.	36 sec.	72 sec.	216 sec.		
	3024-19-1 1/2	slow speed					3.0 sec.	23N	40N	90 sec.	180 sec.	360 sec.	1080 sec.		
	SLIMLINE														
	Capacity: 5338N Max. - Including Impact When Load Strikes Plunger	1001-31-1/2	extra fast						.015 sec.	27N	45N	0.5 sec.	1 sec.	5 sec.	
		1003-31-1/2	fast	12.7		23N	18N	.020 sec.	40N	85N	4 sec.	9 sec.	50 sec.		
		1002-31-1/2	standard					.031 sec.	49N	147N	8 sec.	18 sec.	150 sec.		
		1004-31-1/2	slow speed					.168 sec.	134N	400N	38 sec.	90 sec.	12.5 min.		
		1001-31-1	extra fast					.030 sec.	27N	45N	1 sec.	2 sec.	10 sec.		
		1003-31-1	fast	25.4		23N	18N	.041 sec.	40N	85N	8 sec.	18 sec.	100 sec.		
		1002-31-1	standard					.063 sec.	49N	147N	15 sec.	35 sec.	5 min.		
1004-31-1		slow speed					.378 sec.	134N	400N	75 sec.	180 sec.	25 min.			
1001-31-2		extra fast					.052 sec.	27N	45N	2 sec.	5 sec.	20 sec.			
1003-31-2		fast	50.8		23N	18N	.070 sec.	40N	85N	15 sec.	35 sec.	200 sec.			
1002-31-2		standard					.106 sec.	49N	147N	30 sec.	70 sec.	10 min.			
1004-31-2		slow speed					.730 sec.	134N	400N	150 sec.	6 min.	50 min.			
1001-31-3		extra fast					.115 sec.	27N	45N	3 sec.	7 sec.	30 sec.			
1003-31-3		fast	76.2		23N	18N	.155 sec.	40N	85N	23 sec.	55 sec.	5 min.			
1002-31-3		standard					.235 sec.	49N	147N	45 sec.	105 sec.	15 min.			
1004-31-3		slow speed					1.620 sec.	134N	400N	225 sec.	9 min.	75 min.			
SUPER K															
Capacity: 5338N Max. - Including Impact When Load Strikes Plunger		5001-31-4	extra fast						.14 sec.	27N	45N	4 sec.	10 sec.	40 sec.	
		5003-31-4	fast	101.6		23N	18N	.19 sec.	40N	85N	30 sec.	70 sec.	6.5 min.		
		5002-31-4	standard					.36 sec.	49N	147N	60 sec.	140 sec.	20 min.		
		5004-31-4	slow speed					1.87 sec.	134N	400N	5 min.	12 min.	100 min.		
		5001-37-6	extra fast					.25 sec.	40N	54N	6 sec.	15 sec.	60 sec.		
		5003-37-6	fast	152.4		36N	32N	.33 sec.	45N	89N	45 sec.	105 sec.	10 min.		
		5002-37-6	standard					.65 sec.	54N	147N	90 sec.	3.5 min.	30 min.		
	5004-37-6	slow speed					2.39 sec.	134N	400N	7.5 min.	18 min.	150 min.			
	CUSHION-START														
	Capacity: 5338N Max. - Including Impact When Load Strikes Plunger	1102-31-1/2	4.6mm Cushion	12.7	6.7 N m				.031 sec.			5 sec.	11 sec.	96 sec.	
		1102-31-1	6.4mm Cushion	25.4	13.5 N m	23N	18N	.063 sec.	49N	147N	11 sec.	26 sec.	3.7 min.		
		1102-31-2	8.6mm Cushion	50.8	24.8 N m			.106 sec.			24 sec.	58 sec.	8.3 min.		
1102-31-3		16mm Cushion	76.2	29.4 N m			.235 sec.			35 sec.	83 sec.	11.8 min.			

57°C Maximum Continuous Operating Temperature (All models)

SPECIFICATIONS (METRIC)

DIMENSIONS AND INFORMATION (METRIC)

DIMENSIONS AND WEIGHTS (All dimensions in millimeters)								
Model No.	Stroke	Weight	A	B	C	D	E	F
3 ___ -19-1/2	12.7	92 g	107.2	15.9	18.3	16	N/A	N/A
3 ___ -19-1	25.4	105 g	145.3	28.6	18.3	16	N/A	N/A
3 ___ -19-1 1/4	31.75	151 g	167.2	35	18.3	16	N/A	N/A
3 ___ -19-1 1/2	38.1	159 g	179.9	41.3	24.6	22.4	N/A	N/A
1 ___ -31-1/2	12.7	326 g	160.8	17.4	108.7	N/A	N/A	N/A
1 ___ -31-1	25.4	354 g	198.9	30.1	134.1	N/A	N/A	N/A
1 ___ -31-2	50.8	468 g	276.1	55.5	185.7	N/A	N/A	N/A
1 ___ -31-3	76.2	544 g	352.3	80.9	236.5	N/A	N/A	N/A
5 ___ -31-4	101.6	658 g	356.4	106.3	50.8	7.9	N/A	N/A
5 ___ -37-6	152.4	893 g	489.5	157.1	88.9	9.5	25.4	25.4

FIGURE 1

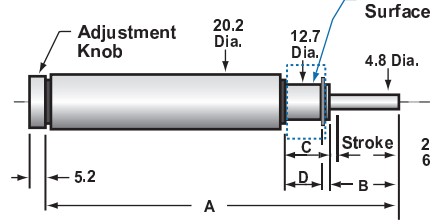
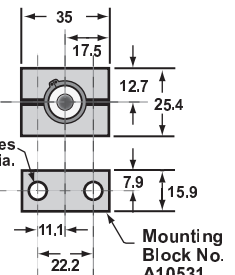
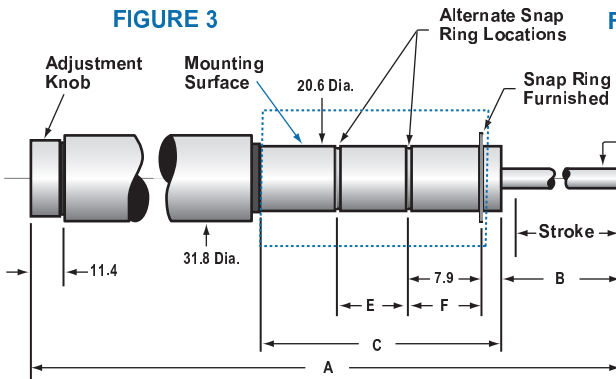


FIGURE 2



KINECHEK MINI K MODEL (3 ___)

FIGURE 3



KINECHEK SUPER K MODEL (5 ___)

FIGURE 4

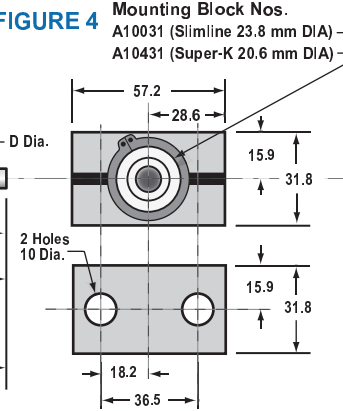
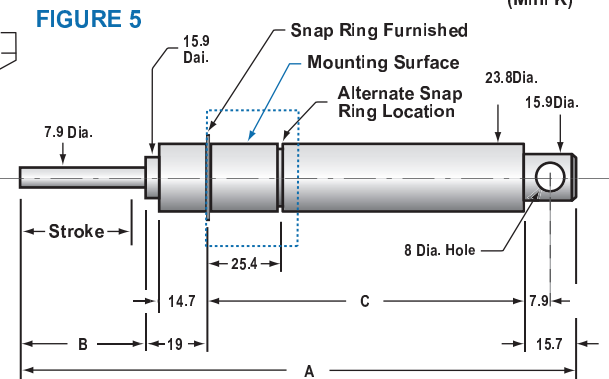


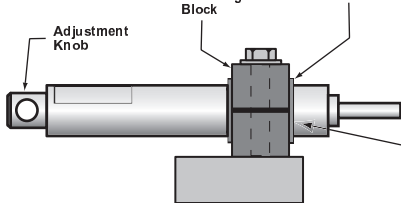
FIGURE 5



KINECHEK SLIMLINE MODEL (1 ___)

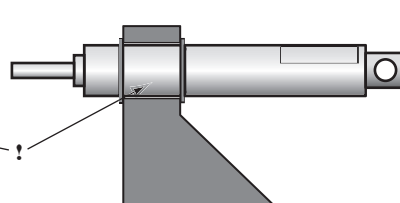
CLAMPING AREAS AND MOUNTING ARRANGEMENTS

FIGURE 6



The KINECHEK can be mounted on flat surfaces with mounting blocks at either snap ring groove. Use a spacer for intermediate positioning. Minimal thrust is absorbed by the snap ring as it is held in place by the vice tension of the mounting blocks. (FIGURE 6)

FIGURE 7



For light-duty applications, it can be mounted in round unthreaded holes and retained by snap rings. Thrust is taken by the front snap ring. (FIGURE 7) Do NOT use set screws. Clamping is ONLY permissible on areas of the unit indicated in blue in FIGURES 1, 3, 5, & 8, or else damage may occur.

CLAMP AREA FOR SLIMLINE KINECHEK MODELS

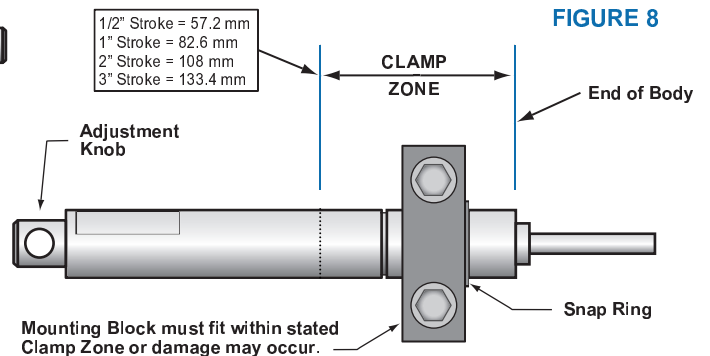
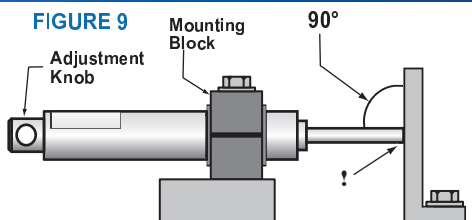


FIGURE 8

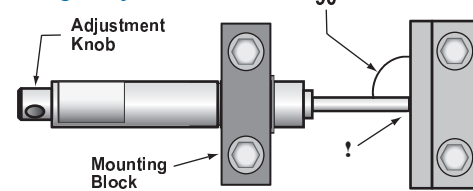
! IMPORTANT NOTE: The unit body must NOT be ground down or altered in any way to fit clamping fixture. Doing so will void the warranty. A custom fixture should be designed to fit the body diameter or you may order proper mounting blocks from your Deschner distributor.

PROPER INSTALLATION AND ALIGNMENT RESTRICTIONS



An alignment angle of 90 degrees is ideal to prevent rod rotation and damage to the internal diaphragm seal. (FIGURES 9 & 10) Operations where alignments are NOT at right angles can expect a shorter life span of the unit.

FIGURE 10



! IMPORTANT NOTE: KINECHEKS are not designed to serve as impact absorbers. Free travel prior to impact should be minimized. See the Deschner catalog for Shock Absorber solutions. NEVER adjust while in operation or while the rod is pressed in. To prevent damage, adjustments should always be made while rod is fully extended and no load applied.

FOR SALES, CONTACT DESCHNER CORPORATION - 800-457-6666 (intl) 714-557-1261 (usa) 714-557-4762 (fax)