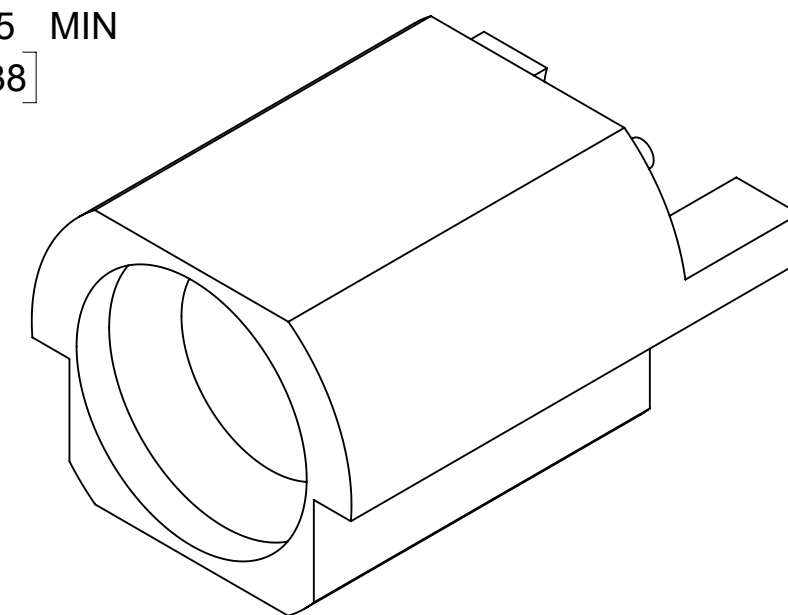
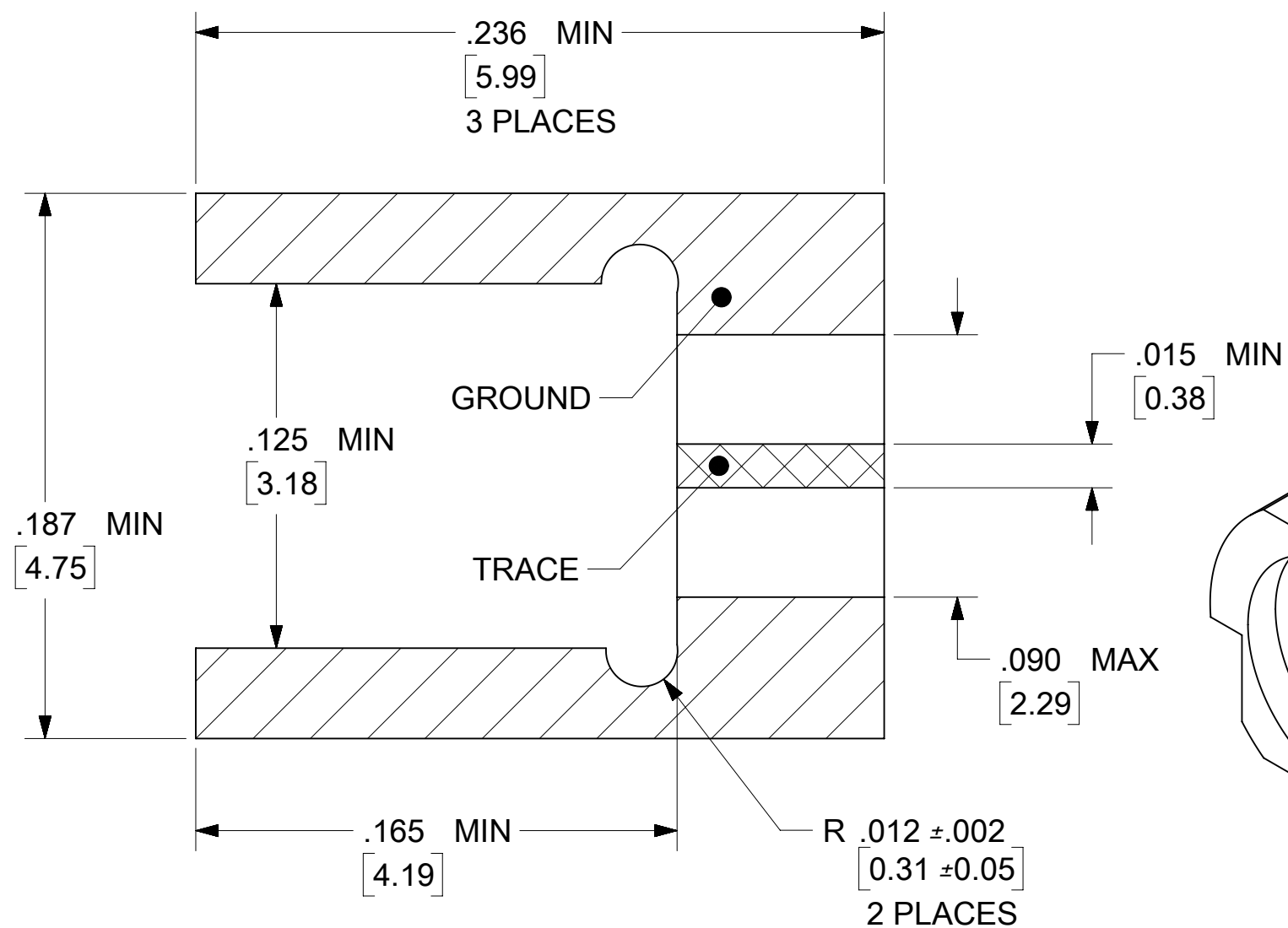
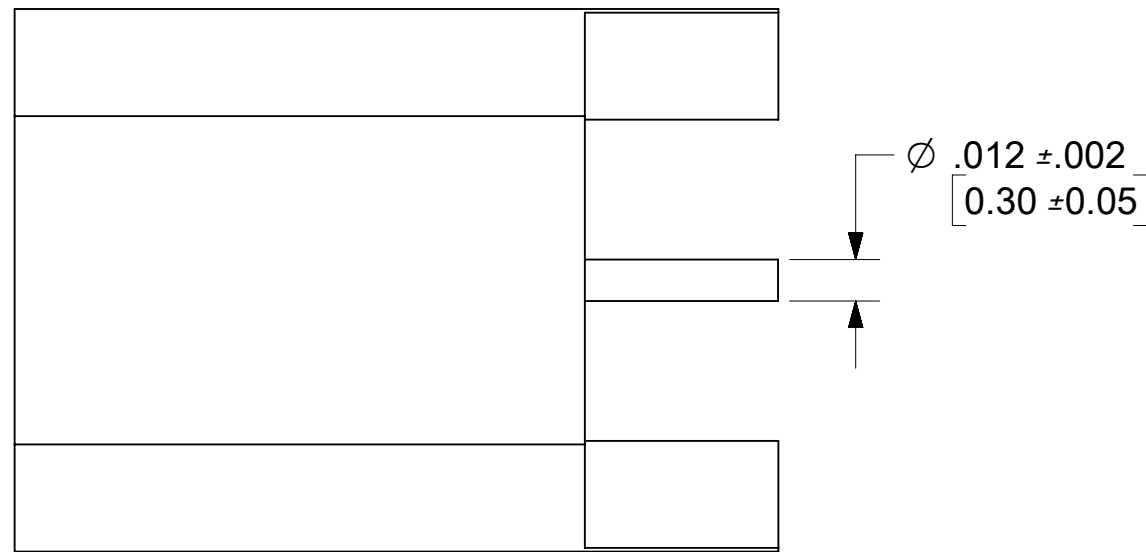


**MATERIAL AND FINISH**

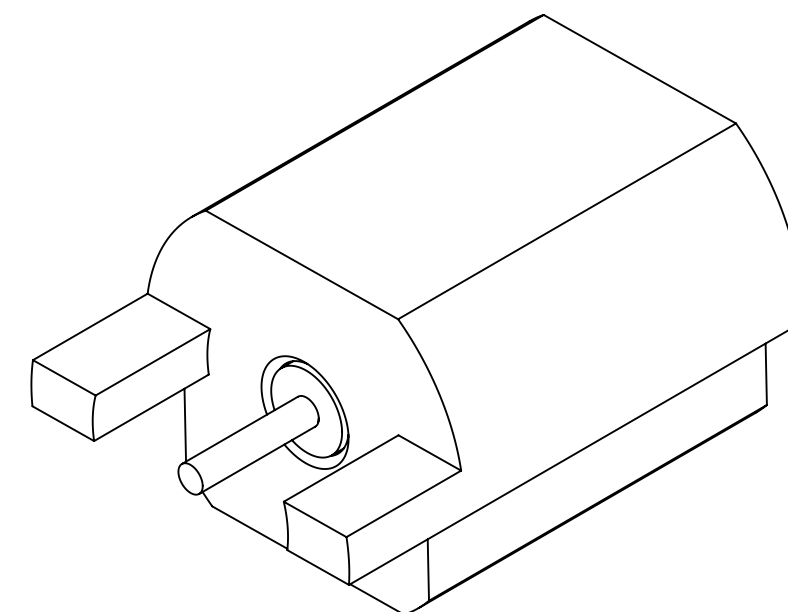
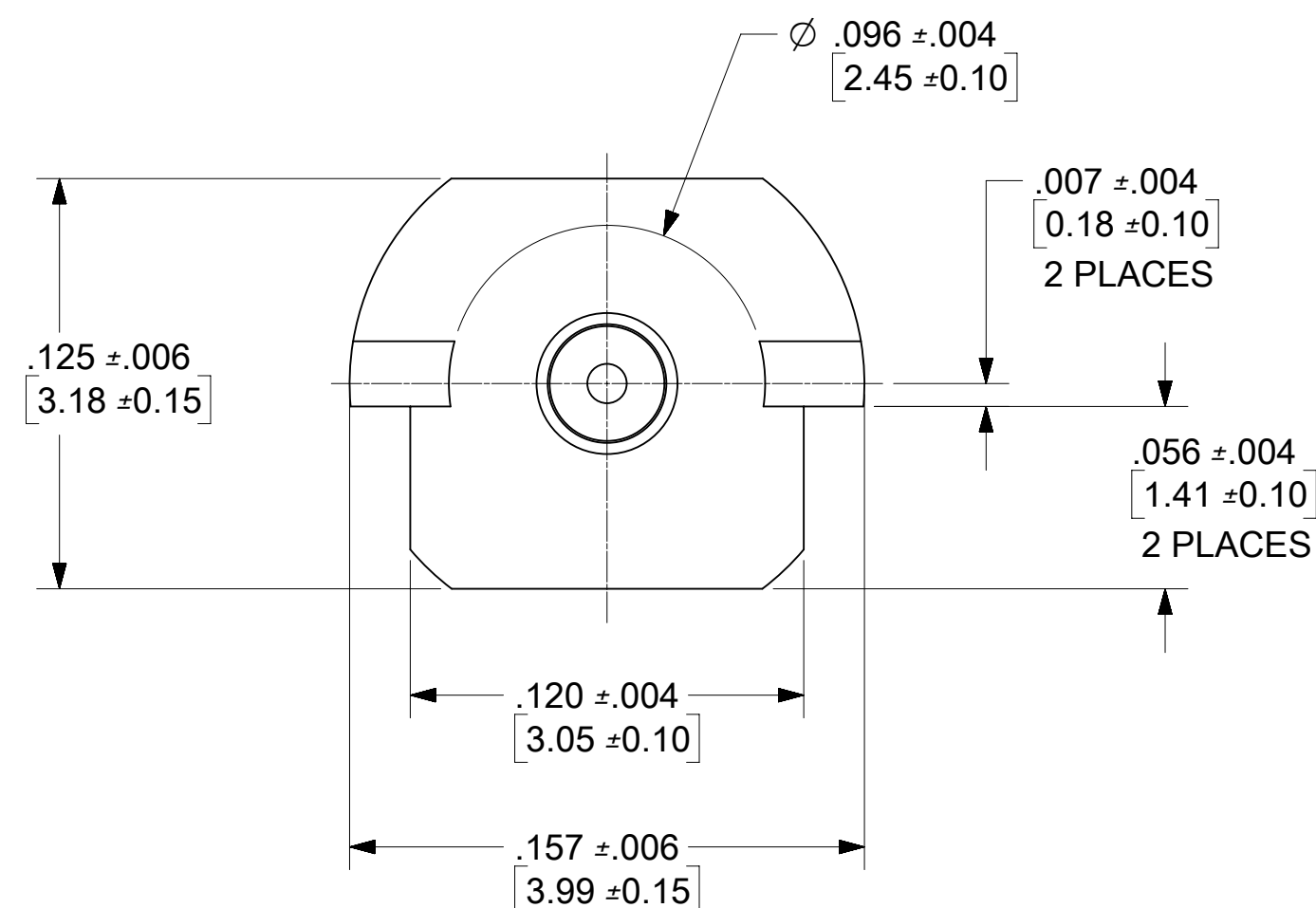
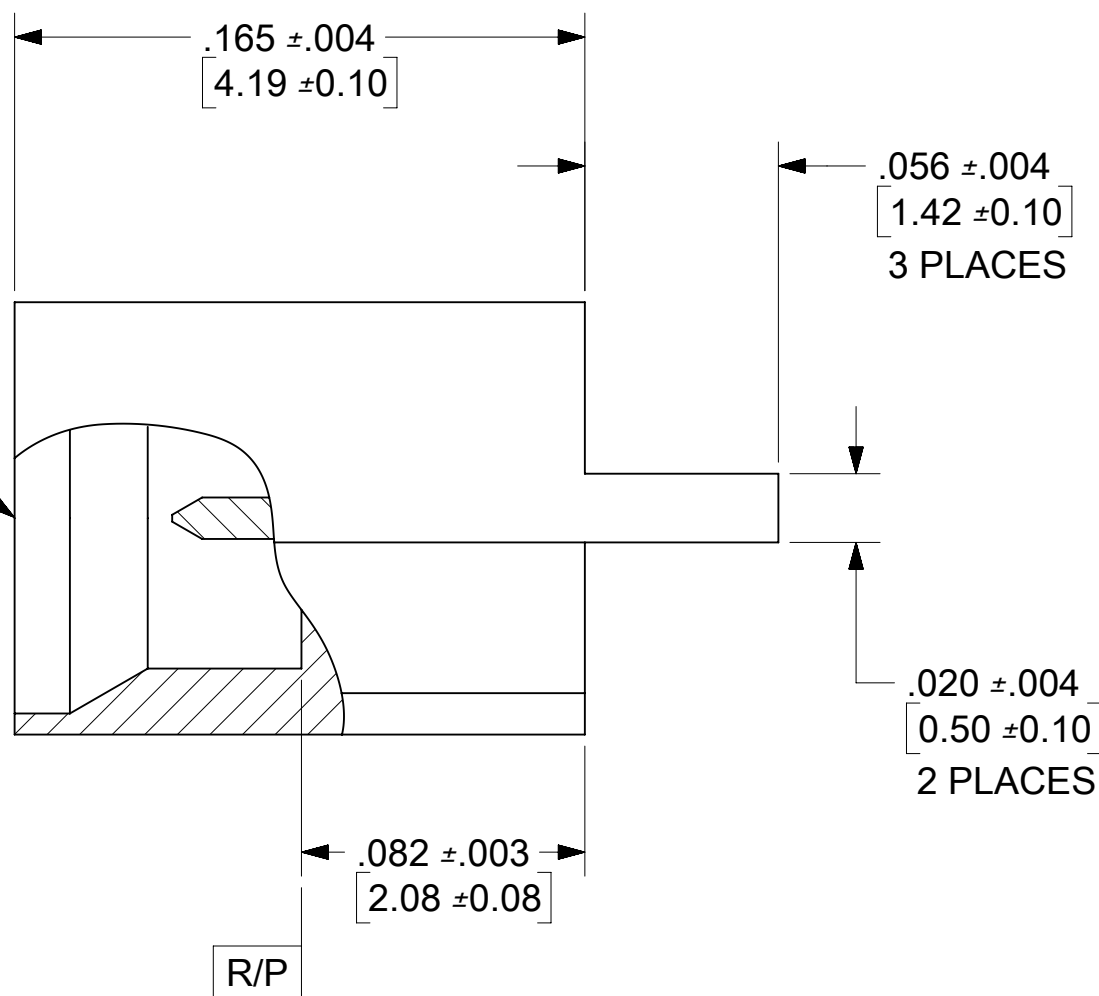
**BODY: BRASS**  
 PLATED GOLD (30µ-in MIN) OVER  
 NICKEL (100µ-in MIN)

**CONTACT: BERYLLIUM COPPER**  
 PLATED GOLD (30µ-in MIN) OVER  
 NICKEL (100µ-in MIN)

**INSULATOR: PTFE**

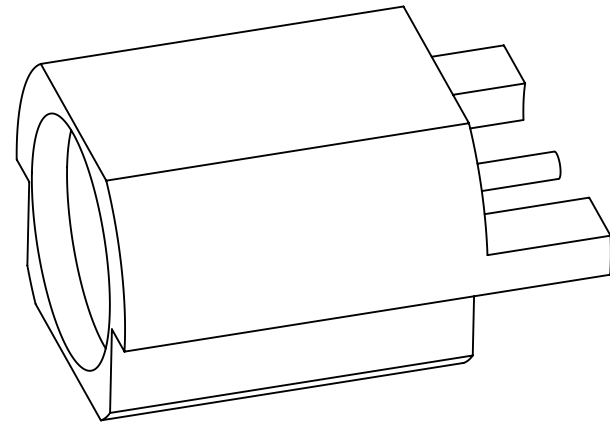


SMPM PLUG  
 INTERFACE  
 (SMOOTH BORE)

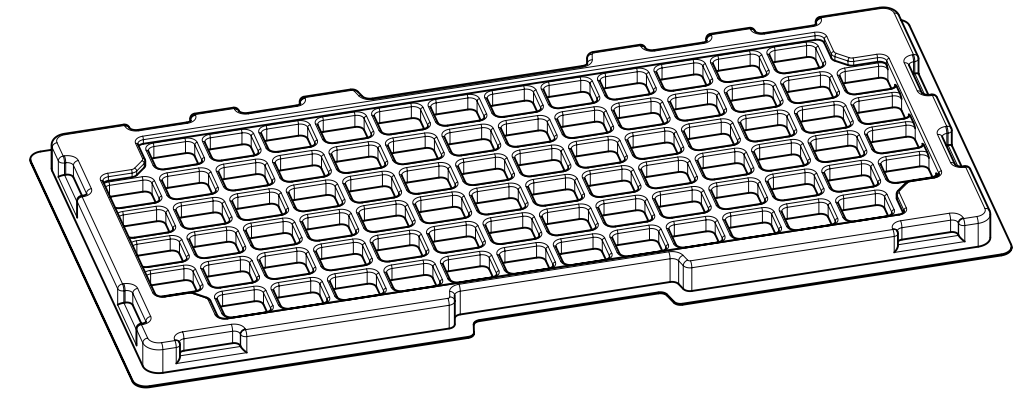
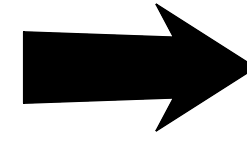


73300-0031	73300-0030 TAPE AND REEL (500 PCS PER REEL)		
73300-0030	SMPM PLUG SB INTERFACE (TRAY 80 CAVITY)	MIL-STD-348B, FIG. 328-3	INTERFACE
<b>PART NO.</b>	<b>PACKAGING</b>	<b>SPECIFICATION</b>	<b>DESCRIPTION</b>

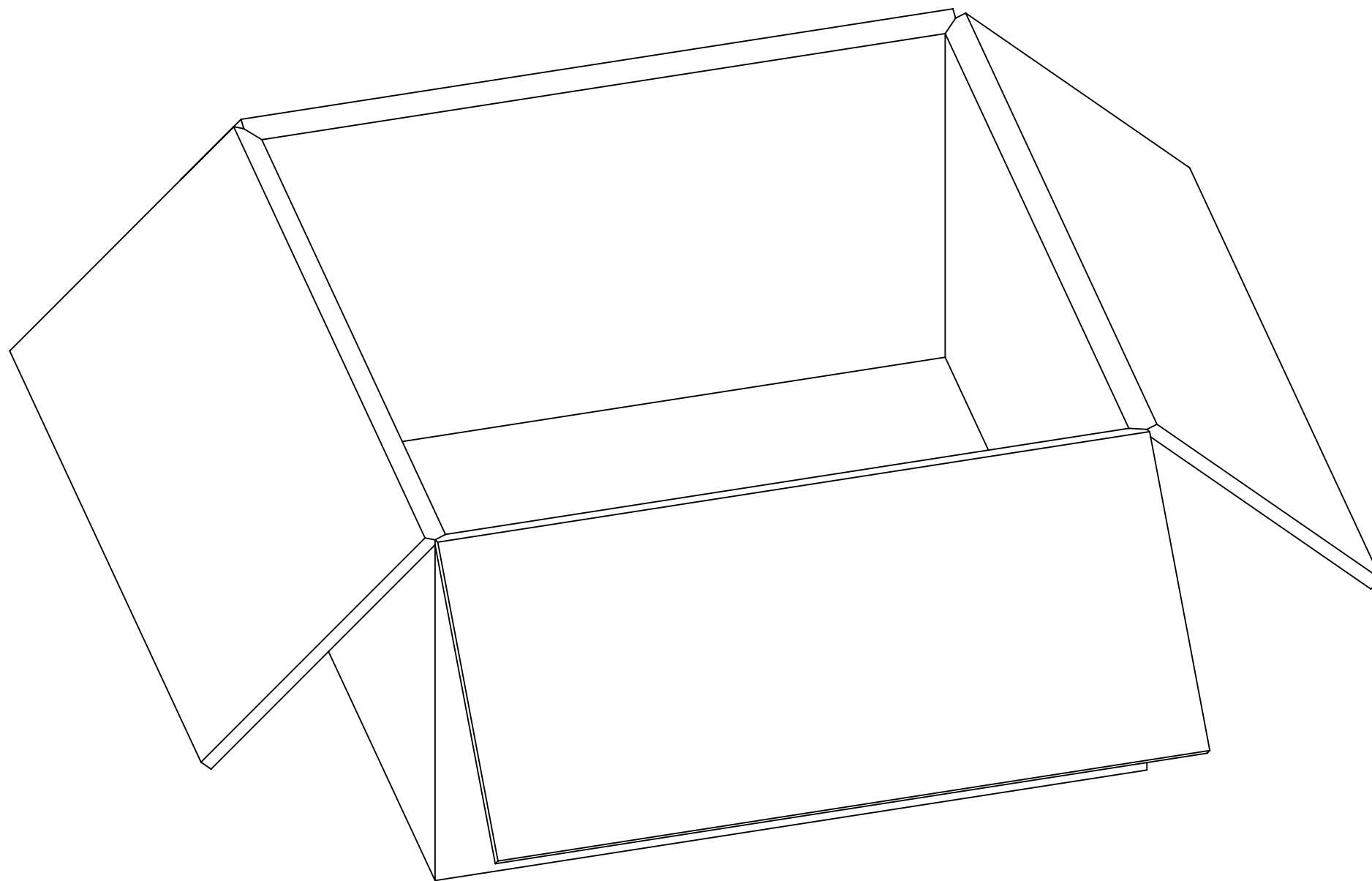
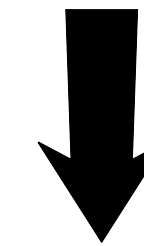
QUALITY SYMBOLS ▽ = 0 ▽ = 0 ▽ = 0 ▽ = 0 ▽ = 0 ▽ = 0 ▽ = 0 ▽ = 0 ▽ = 0 ▽ = 0 ▽ = 0		THIS DRAWING CONTAINS INFORMATION THAT IS PROPRIETARY TO MOLEX ELECTRONIC TECHNOLOGIES, LLC AND SHOULD NOT BE USED WITHOUT WRITTEN PERMISSION		DIMENSION UNITS INCH NTS		SCALE INCH NTS			
EC NO: 168078 DRWN: SH001 CHKD: SSSHAH REV / APPR: AROBERTSON		2017/08/15 2017/11/27 2017/11/27		GENERAL TOLERANCES (UNLESS SPECIFIED) MM INCH		DRWN BY: JLEE DATE: 2007/09/20 CHK'D BY: SSS DATE: 2007/09/20 APPR BY: JWIENER DATE: 2007/09/20			
B3		4 PLACES ± ± 3 PLACES ± ± 2 PLACES ± ± 1 PLACES ± ± 0 PLACES ± ±		ANGULAR TOL = 2.0		DRAWING SIZE: C THIRD ANGLE PROJECTION		PRODUCT CUSTOMER DRAWING	
RELEASE STATUS: P1 RELEASE DATE: 27.11.2017 16:33:41		DRAFT WHERE APPLICABLE MUST REMAIN WITHIN DIMENSIONS		SERIES: 73300 MATERIAL NUMBER: SEE TABLE CUSTOMER:		DOCUMENT NUMBER: SD-73300-003 DOC TYPE: PSD DOC PART: 001 SHEET NUMBER: 1 OF 5			



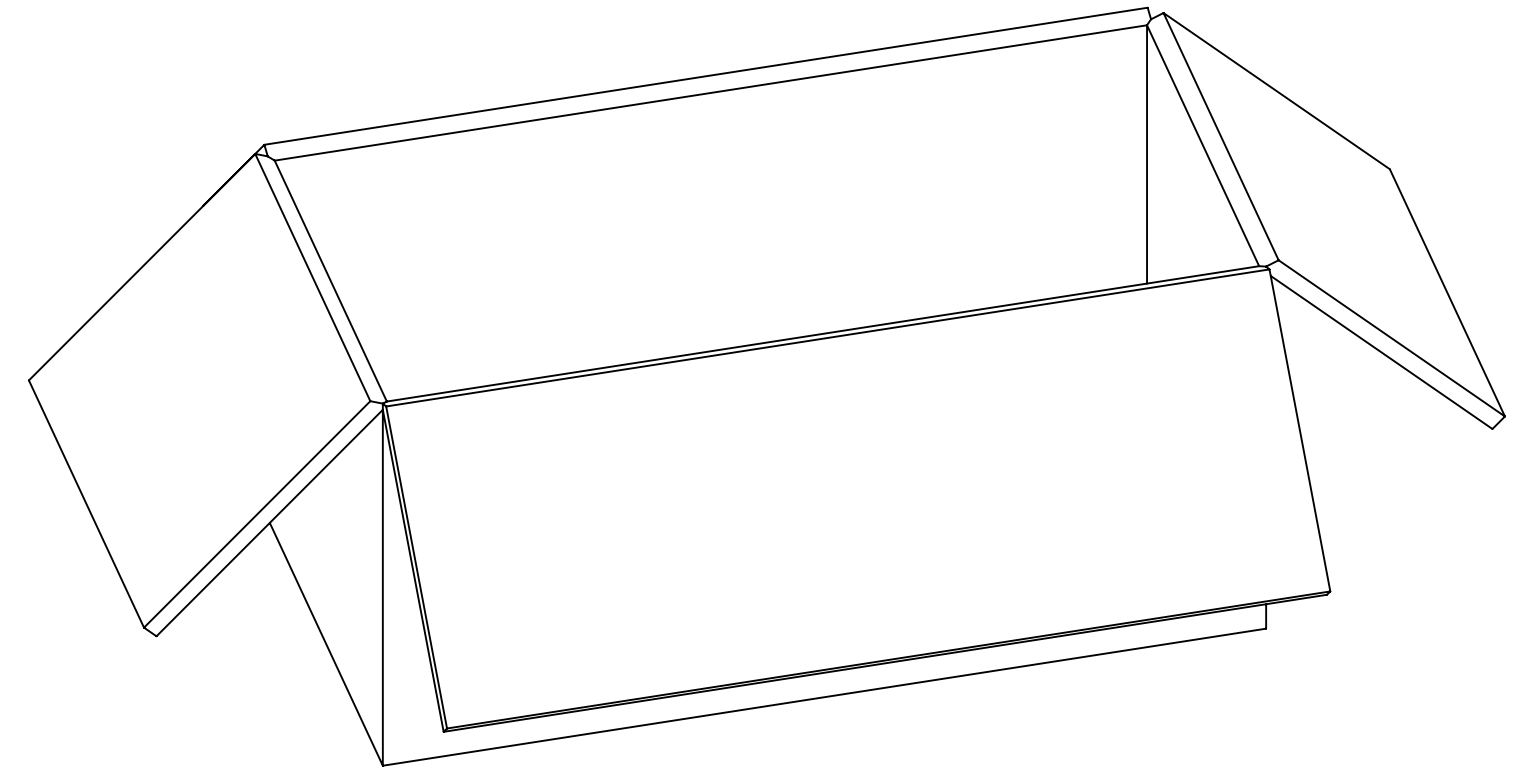
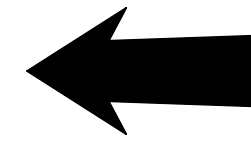
**P/N: 73300-0030**



**80 SETS PER TRAY  
P/N: 89707-0190**

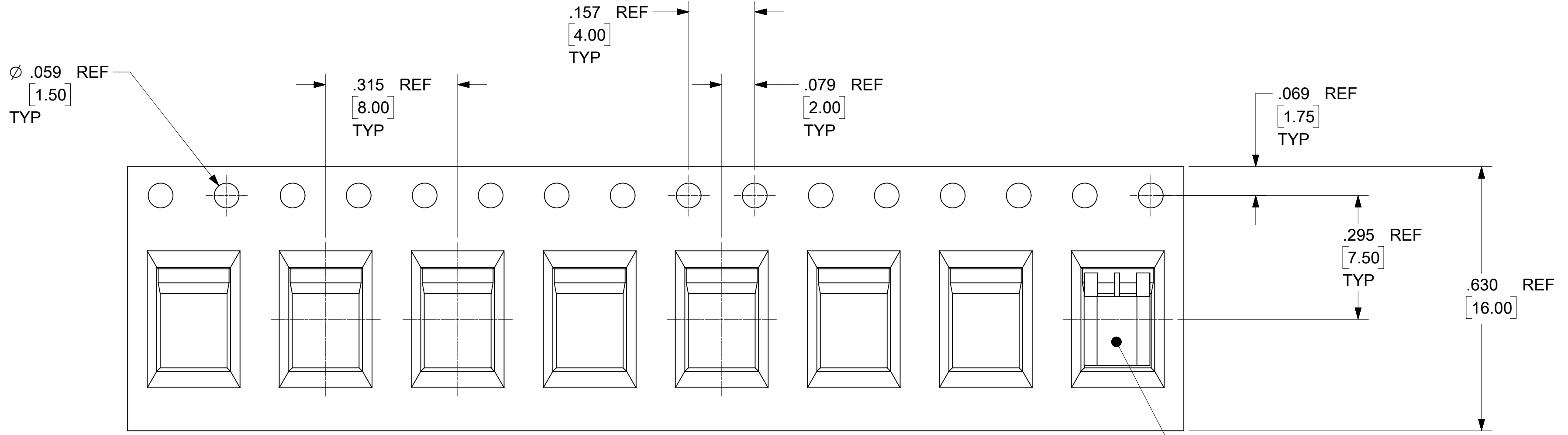


**3200 SETS PER  
OUTER CARTON BOX  
P/N: 96708-0005**



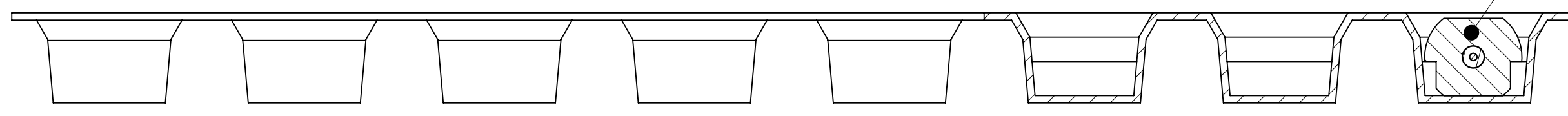
**1600 SETS PER  
INNER CARTON BOX  
P/N: 96707-0001**

QUALITY SYMBOLS		THIS DRAWING CONTAINS INFORMATION THAT IS PROPRIETARY TO MOLEX ELECTRONIC TECHNOLOGIES, LLC AND SHOULD NOT BE USED WITHOUT WRITTEN PERMISSION														
▽ = 0	EC NO: 168078 DRWN: SH001 CHKD: SSSHAH REV / APPR: AROBERTSON	GENERAL TOLERANCES (UNLESS SPECIFIED)				DIMENSION UNITS		SCALE								
▽ = 0		MM		INCH		INCH		NTS								
▽ = 0		4 PLACES ±				DRWN BY		DATE		SMPM, PLUG EDGE MOUNT 50 OHMS, SMOOTH BORE SMPM-P/PCB, EWR-11427						
▽ = 0		3 PLACES ±				JLEE		2007/09/20								
▽ = 0		2 PLACES ±				CHK'D BY		DATE								
▽ = 0		1 PLACES ±				SSS		2007/09/20								
▽ = 0	0 PLACES ±				APPR BY		DATE		PRODUCT CUSTOMER DRAWING							
▽ = 0	ANGULAR TOL = 2.0				DRAWING SIZE		THIRD ANGLE PROJECTION		SERIES		MATERIAL NUMBER		CUSTOMER			
▽ = 0	DRAFT WHERE APPLICABLE MUST REMAIN WITHIN DIMENSIONS				C				73300		SEE TABLE					
▽ = 0	B3		REV		APPR		DATE		DOCUMENT NUMBER		DOC TYPE		DOC PART		SHEET NUMBER	
									SD-73300-003		PSD		001		2 OF 5	



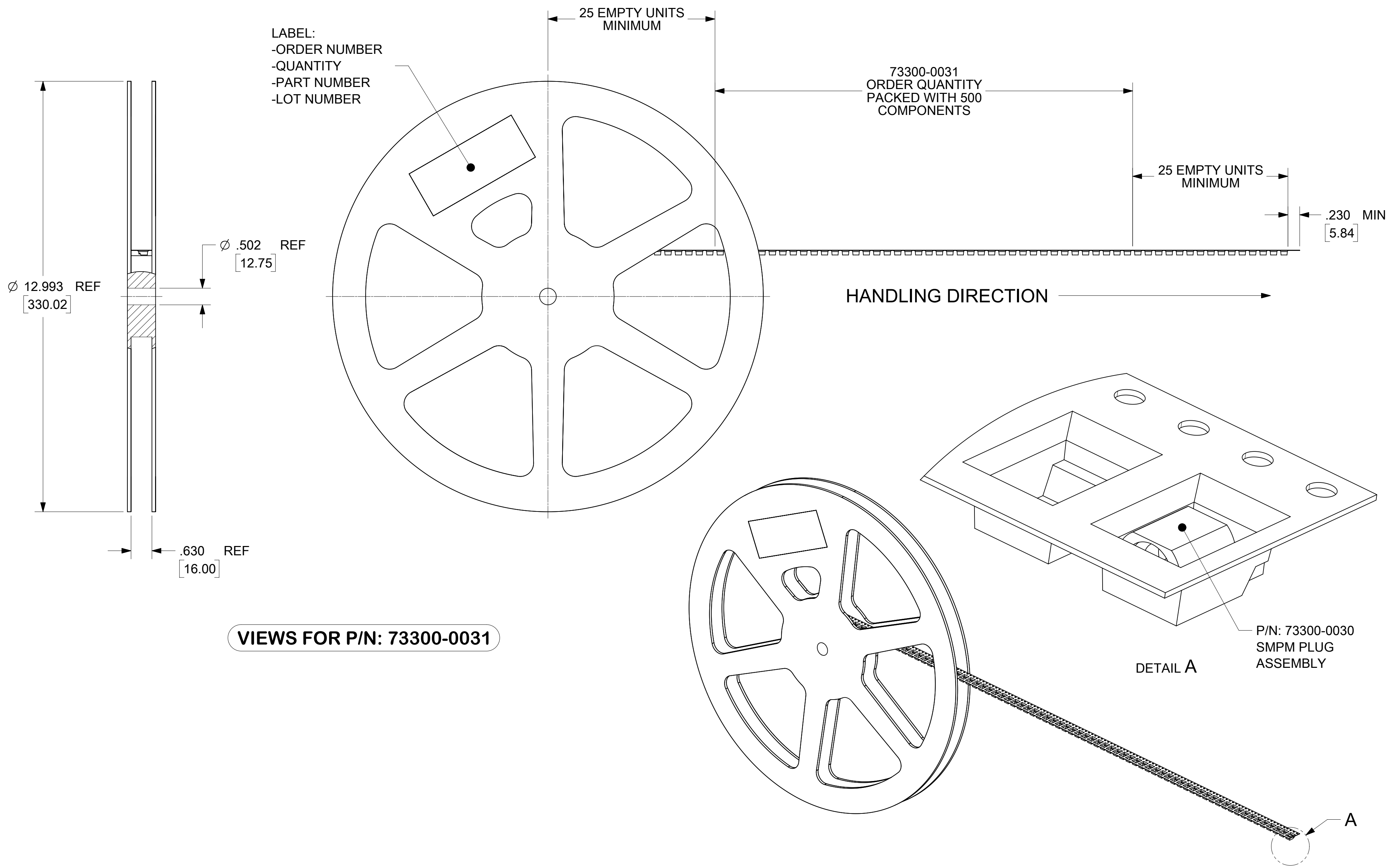
**VIEWS FOR P/N: 73300-0031**

P/N: 73300-0030  
SMPM PLUG ASSEMBLY



<b>QUALITY SYMBOLS</b> ▽ = 0 ▽ = 0 ▽ = 0 ▽ = 0 ▽ = 0 ▽ = 0 ▽ = 0 ▽ = 0 ▽ = 0 ▽ = 0		THIS DRAWING CONTAINS INFORMATION THAT IS PROPRIETARY TO MOLEX ELECTRONIC TECHNOLOGIES, LLC AND SHOULD NOT BE USED WITHOUT WRITTEN PERMISSION				DIMENSION UNITS <b>INCH</b>		SCALE <b>NTS</b>																								
EC NO: 168078 DRWN: SH001 CHKD: SSSHAH REV / APPR: AROBERTSON		GENERAL TOLERANCES (UNLESS SPECIFIED) <table border="1"> <tr> <th></th> <th>MM</th> <th>INCH</th> </tr> <tr> <td>4 PLACES</td> <td>±</td> <td>±</td> </tr> <tr> <td>3 PLACES</td> <td>±</td> <td>±</td> </tr> <tr> <td>2 PLACES</td> <td>±</td> <td>±</td> </tr> <tr> <td>1 PLACES</td> <td>±</td> <td>±</td> </tr> <tr> <td>0 PLACES</td> <td>±</td> <td>±</td> </tr> </table>			MM	INCH	4 PLACES	±	±				3 PLACES	±	±	2 PLACES	±	±	1 PLACES	±	±	0 PLACES	±	±	DRWN BY <b>JLEE</b>		DATE <b>2007/09/20</b>		CHK'D BY <b>SSS</b>		DATE <b>2007/09/20</b>	
	MM	INCH																														
4 PLACES	±	±																														
3 PLACES	±	±																														
2 PLACES	±	±																														
1 PLACES	±	±																														
0 PLACES	±	±																														
<b>B3</b>		ANGULAR TOL = 2.0 DRAFT WHERE APPLICABLE MUST REMAIN WITHIN DIMENSIONS		APPR BY <b>JWIENER</b>		DATE <b>2007/09/20</b>		PRODUCT CUSTOMER DRAWING																								
RELEASE STATUS   P1   RELEASE DATE   27.11.2017   16:33:41		DRAWING SIZE <b>C</b>		THIRD ANGLE PROJECTION		SERIES   MATERIAL NUMBER   CUSTOMER <b>73300</b>   <b>SEE TABLE</b>			DOCUMENT NUMBER   DOC TYPE   DOC PART   SHEET NUMBER <b>SD-73300-003</b>   <b>PSD</b>   <b>001</b>   <b>3 OF 5</b>																							

LABEL:  
 -ORDER NUMBER  
 -QUANTITY  
 -PART NUMBER  
 -LOT NUMBER



**VIEWS FOR P/N: 73300-0031**

∅ 12.993 REF  
 [330.02]

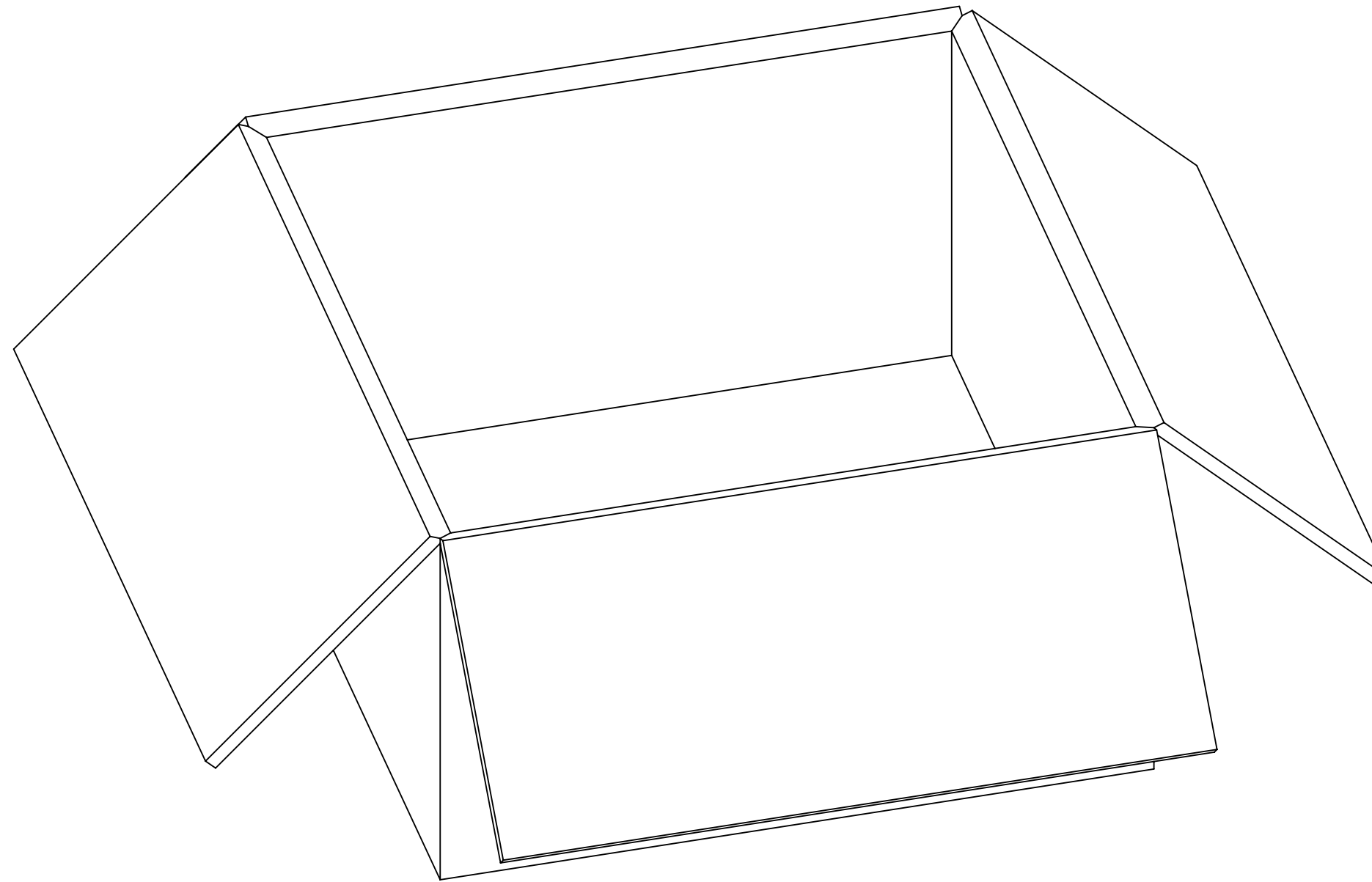
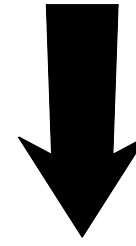
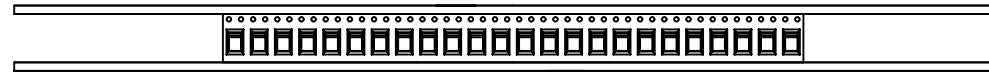
∅ .502 REF  
 [12.75]

.630 REF  
 [16.00]

THIS DRAWING CONTAINS INFORMATION THAT IS PROPRIETARY TO MOLEX ELECTRONIC TECHNOLOGIES, LLC AND SHOULD NOT BE USED WITHOUT WRITTEN PERMISSION											
QUALITY SYMBOLS	2017/08/15 2017/11/27 2017/11/27	GENERAL TOLERANCES (UNLESS SPECIFIED)		DIMENSION UNITS	SCALE						
			MM	INCH	INCH					NTS	
▽ = 0	EC NO: 168078 DRWN: SH001 CHKD: SSSHAH REV / APPR: AROBERTSON	4 PLACES	±	±	DRWN BY	DATE	SMPM, PLUG EDGE MOUNT 50 OHMS, SMOOTH BORE SMPM-P/PCB, EWR-11427				
▽ = 0		3 PLACES	±	±	CHK'D BY	DATE					
▽ = 0		2 PLACES	±	±	APPR BY	DATE					
▽ = 0		1 PLACES	±	±	JWIENER		2007/09/20	PRODUCT CUSTOMER DRAWING			
▽ = 0		0 PLACES	±	±	ANGULAR TOL = 2.0	DRAWING SIZE	THIRD ANGLE PROJECTION	SERIES	MATERIAL NUMBER	CUSTOMER	
▽ = 0		DRAFT WHERE APPLICABLE MUST REMAIN WITHIN DIMENSIONS		C				73300	SEE TABLE		
▽ = 0	B3			DOCUMENT NUMBER		DOC TYPE	DOC PART	SHEET NUMBER			
				SD-73300-003		PSD	001	4 OF 5			

**P/N: 73300-0031**

**500 X 73300-0030 PER REEL  
REEL P/N: 89707-0234**



**7 REELS PER CARTON  
P/N: 89499-9031**

QUALITY SYMBOLS	THIS DRAWING CONTAINS INFORMATION THAT IS PROPRIETARY TO MOLEX ELECTRONIC TECHNOLOGIES, LLC AND SHOULD NOT BE USED WITHOUT WRITTEN PERMISSION														
▽ = 0 ▽ = 0 ▽ = 0 ▽ = 0 ▽ = 0 ▽ = 0 ▽ = 0 ▽ = 0 ▽ = 0 ▽ = 0	2017/08/15 2017/11/27 2017/11/27 EC NO: 168078 DRWN: SH001 CHKD: SSSH AH REV / APPR: AROBERTSON	GENERAL TOLERANCES (UNLESS SPECIFIED)		DIMENSION UNITS	SCALE										
				INCH	NTS										
				MM	INCH	DRWN BY	DATE	SMPM, PLUG EDGE MOUNT 50 OHMS, SMOOTH BORE SMPM-P/PCB, EWR-11427							
		4 PLACES	±	±	JLEE	2007/09/20									
		3 PLACES	±	±	CHK'D BY	DATE									
		2 PLACES	±	±	SSS	2007/09/20									
						1 PLACES	±	±	APPR BY	DATE	PRODUCT CUSTOMER DRAWING				
						0 PLACES	±	±	JWIENER	2007/09/20					
						ANGULAR TOL = 2.0		DRAWING SIZE	THIRD ANGLE PROJECTION	SERIES		MATERIAL NUMBER	CUSTOMER		
						DRAFT WHERE APPLICABLE MUST REMAIN WITHIN DIMENSIONS		C		73300	SEE TABLE				
								DOCUMENT NUMBER	DOC TYPE	DOC PART	SHEET NUMBER				
								SD-73300-003	PSD	001	5 OF 5				