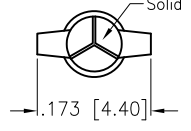
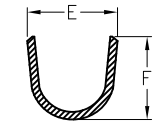
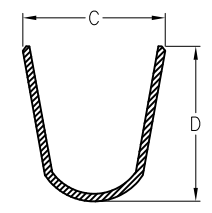
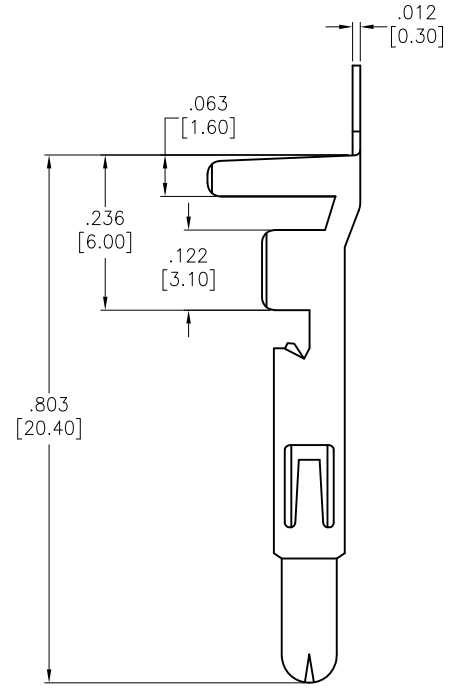
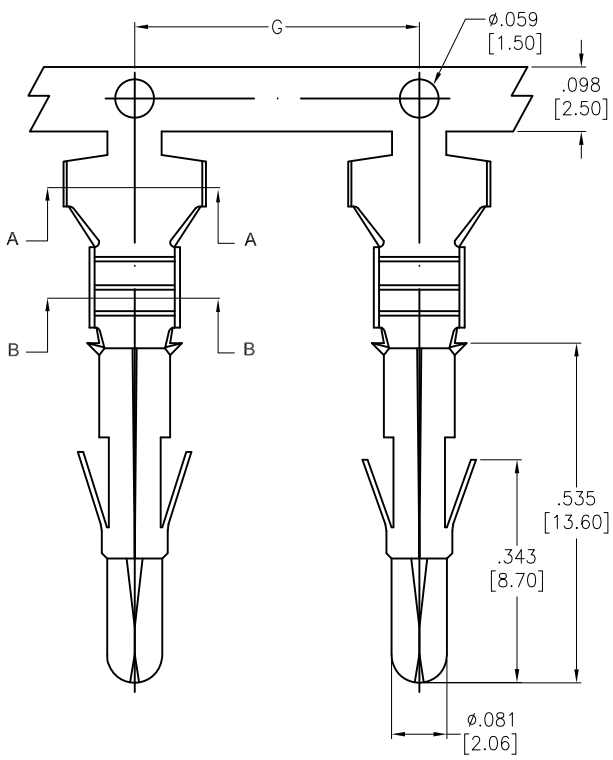


Rev	AWO #	Description	Date	Appr
-		RELEASED	6/19/19	

APPROVED: _____
DATE: _____ TITLE: _____



PART #	WIRE AWG	DIMENSIONS				
		C	D	E	F	G
DME-A2-C-M-R	18 ~ 22	.134 [3.40]	.134 [3.40]	.094 [2.40]	.094 [2.40]	.429 [10.90]
DME-B2-C-M-R	16 ~ 20	.177 [4.50]	.177 [4.50]	.114 [2.90]	.138 [3.50]	
DME-C2-C-M-R	12 ~ 14	.264 [6.70]	.228 [5.80]	.130 [3.30]	.161 [4.10]	.618 [15.70]

SPECIFICATIONS:
Material:
Contacts: Brass, Tin Plated, Thickness: 0.3mm
Electrical:
Voltage rating: 600 VAC/DC
Current rating: 2~5 Circuit 12 A AC/DC
6~15 Circuit 9 A AC/DC
Contact resistance: 20 mohms max
Insulation resistance: 1,000 Mohms min
Dielectric withstanding voltage: 2900 VAC For 1 Minute
Temperature Rating:
-40°C to +105°C
Environmental:
Lead free, RoHS compliant



UNLESS OTHERWISE SPECIFIED
ALL DIMENSIONS ARE INCHES [MM]
TOLERANCES: EXCEPT AS NOTED

.X	± .10	∅X	± .10
.XX	± .020	∅XX	± .015
.XXX	± .015	∅XXX	± .010

APPROVALS		DATE
DRAWN	LH	6/19/19
CHECKED	TY	6/19/19
APPROVED		

ADAM TECH INTERCONNECTS 909 Rahway Avenue, Union, NJ 07083
Phone: 908-687-5000 Fax: 908-687-5710

TITLE: **CRIMP CONTACT, DME SERIES TIN PLATED**

SIZE	PART NO.	REV.
X	DME-X2-C-M-R	-

REF: S00124T SCALE: NTS SHEET 1 OF 1

6 5 4 3 2 1

6 5 4 3 2 1

D

D

C

C

B

B

A

A