

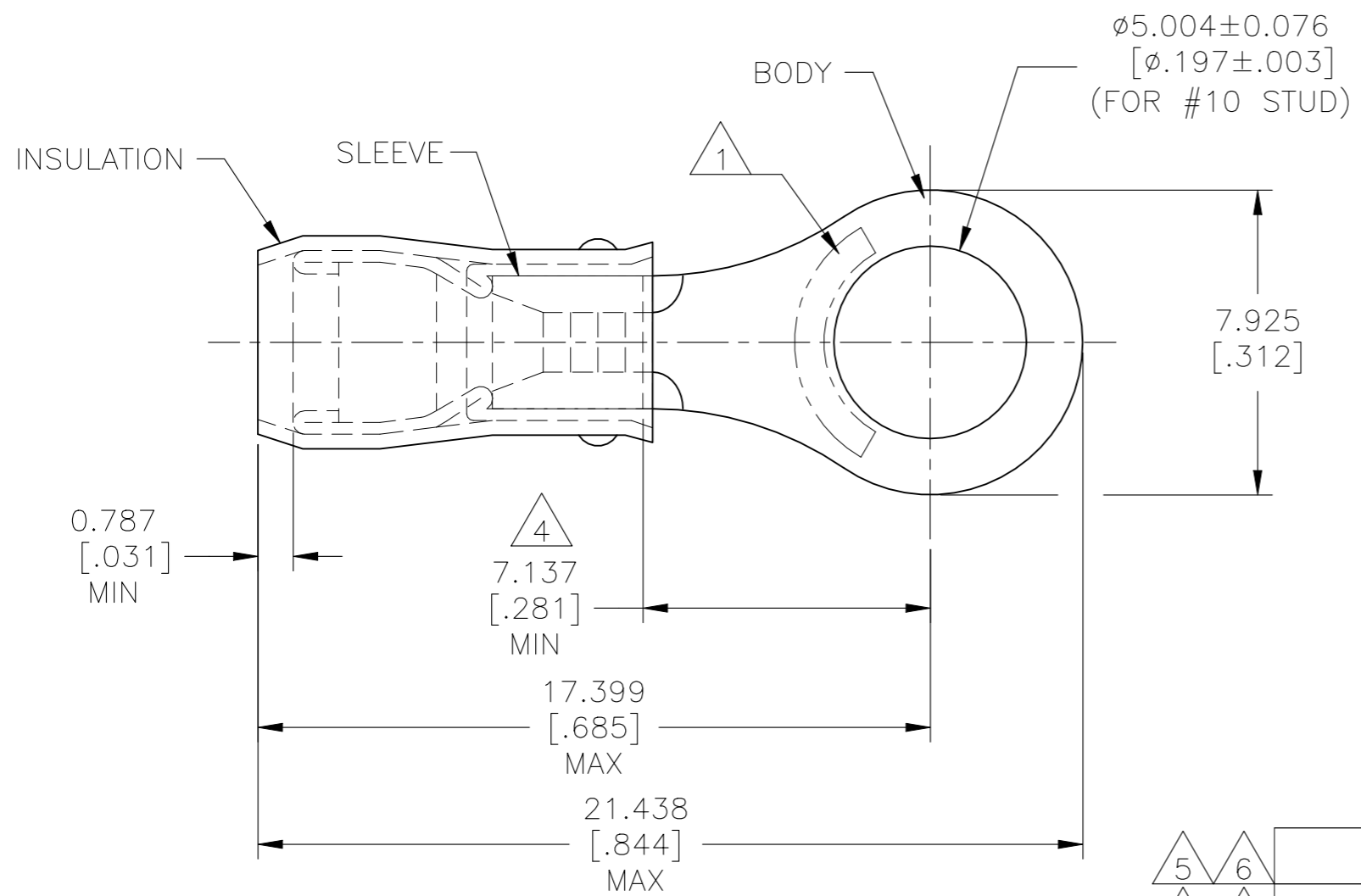


THIS DRAWING IS UNPUBLISHED. RELEASED FOR PUBLICATION  
 © COPYRIGHT - By - ALL RIGHTS RESERVED.

REVISIONS				
P	LTR	DESCRIPTION	DATE	APVD
	AA4	REVISE PER ECN-22-156403	06JUN2022	RK CSD


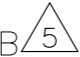
<b>AMP</b> WIRE RANGE	 E13288 Listed	 LR7189 Certified
22-16 AWG SOLID OR STRANDED	22-16 AWG STRANDED	22-16 AWG SOLID OR STRANDED



- 1 STAMP AMP 22-18\* APPROX AS SHOWN  
22-16 TERMINALS ARE STAMPED 22-18 IN  
ACCORDANCE WITH MILITARY SPEC SAE AS7928  
COMMERCIAL WIRE RANGE IS 22-16.
- 2 WIRE INSULATION :  $\phi 2.032-3.175[\phi .080-.125]$ .
- 3 BODY MATERIAL THK:  $0.787\pm 0.051[.031\pm .002]$ .
- 4 APPLIES FROM EDGE OF METAL WIRE BARREL  
TO CENTER OF STUD HOLE.
- 5 UL LISTED
- 6 CSA CERTIFIED

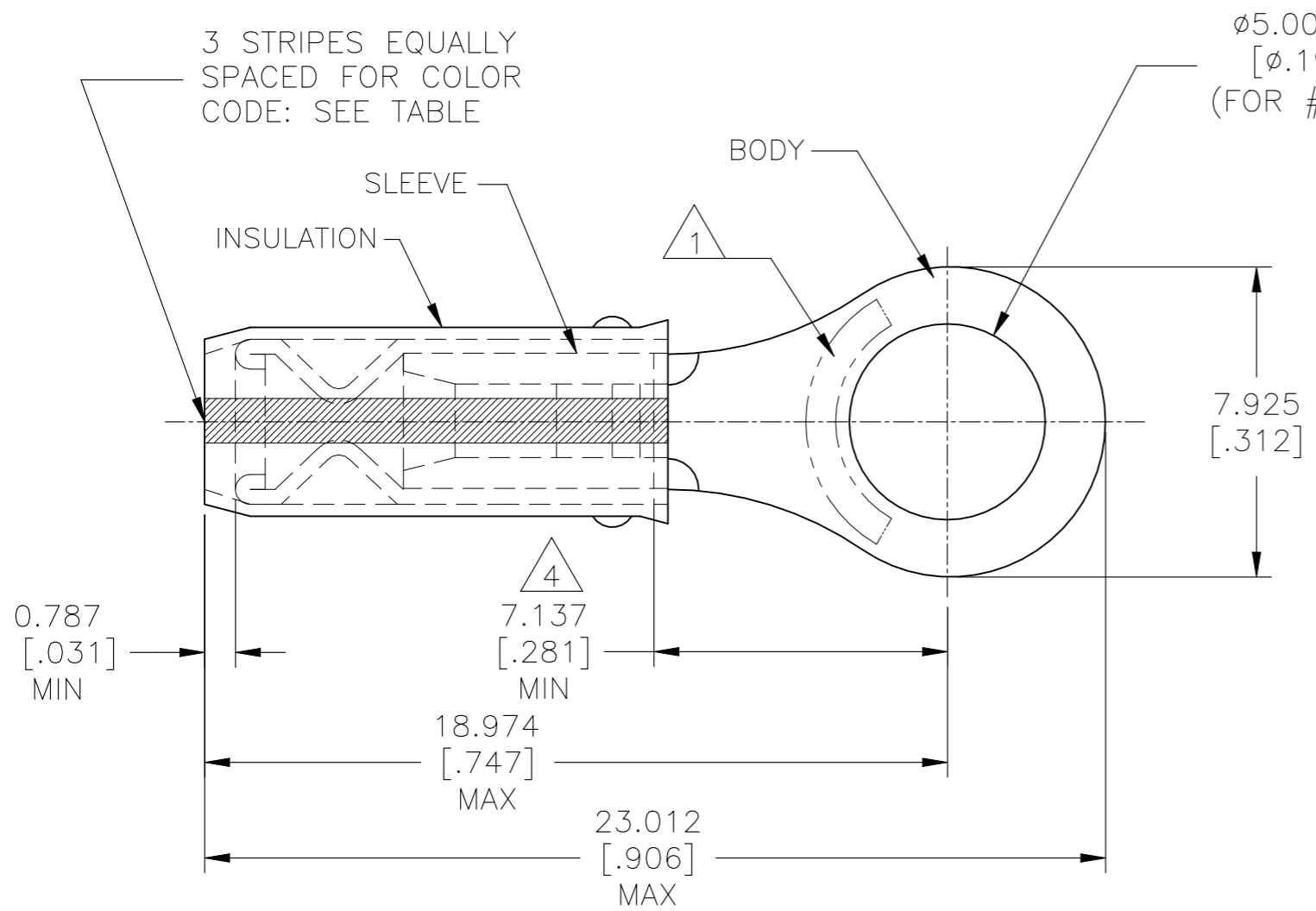
MILITARY P/N AND CLASS	QUANTITY	PACKAGE TYPE	PART NO
5 6 -	100	LOOSE PIECE, BOX	6-36153-1
5 6 -	5000	ON TAPE, REEL	2-36153-2
5 6 MS25036-103 CLASS 1	1000	LOOSE PIECE	36153

<b>AMP INCORPORATED CUSTOMER SERVICE SYSTEMS</b>		MAX RECOMMENDED OPERATING TEMPERATURE: 105°C[221°F] MAX
FOR ADDITIONAL PRODUCT INFORMATION OR COPIES OF DRAWINGS AND TECHNICAL DOCUMENTS	PRODUCT INFORMATION CENTER 1-800-522-6752	VOLTAGE RATING: 300 V MAX
FOR APPLICATION TOOLING INFORMATION	TOOLING ASSISTANCE CENTER 1-800-722-1111	CIRCULAR MIL AREA: 0.26-1.65mm <sup>2</sup> [509-3,260] CIR MILS SOLID OR STRANDED
FOR ORDER ENTRY	1-800-526-5142	THIS DRAWING IS A CONTROLLED DOCUMENT FOR AMP INCORPORATED. IT IS SUBJECT TO CHANGE AND THE CONTROLLING ENGINEERING ORGANIZATION SHOULD BE CONTACTED FOR THE LATEST REVISION.

THIS DRAWING IS A CONTROLLED DOCUMENT.		DWN DK SCHRUM 9/8/93	 TE Connectivity	
DIMENSIONS: mm [INCHES]		CHK RE HERSEY 9/8/93		
TOLERANCES UNLESS OTHERWISE SPECIFIED:		APVD ML ELLIS 9/8/93	NAME TERMINAL, RING TONGUE, PIDG™ WIRE SIZE, 22-16 AWG	
0 PLC ± - 1 PLC ± - 2 PLC ± - 3 PLC ± 0.127[.005] 4 PLC ± - ANGLES ± -		PRODUCT SPEC UL 486 A-B 	APPLICATION SPEC 114-2157	RESTRICTED TO
MATERIAL BODY & SLEEVE: COPPER PER ASTM B-152 INSULATION: NYLON		FINISH BODY & SLEEVE: TIN PLATE PER ASTM B545 INSULATION: COLOR-RED	WEIGHT -	SIZE A3
CUSTOMER DRAWING		CAGE CODE 00779	DRAWING NO C-36153	SCALE NTS
		SHEET 1 OF 2		REV AA4

THIS DRAWING IS UNPUBLISHED. RELEASED FOR PUBLICATION  
 © COPYRIGHT - By - ALL RIGHTS RESERVED.

REVISIONS					
P	LTR	DESCRIPTION	DATE	DWN	APVD
-	-	SEE SHEET 1	-	-	-



AMP WIRE RANGE	5 LR 7189 Certified
SEE TABLE STRANDED	WIRE SIZE PER TABLE STRANDED

- 1 STAMP AMP [ ] APPROX AS SHOWN SEE TABLE BELOW.
- 2 WIRE INSULATION : ∅0.965-2.794[∅.038-.110] FOR 22 AWG.  
∅1.168-2.794[∅.046-.110] FOR 20 AWG.  
∅1.422-2.794[∅.056-.110] FOR 18 AWG.
- 3 BODY MATERIAL THK: 0.787±0.051[.031±.002].
- 4 APPLIES FROM EDGE OF METAL WIRE BARREL TO CENTER OF STUD HOLE.
- 5 CSA CERTIFIED

5	-	RED	20*	20	100	LOOSE PIECE, BOX	8-36153-1
5	-	WHITE	18*	18	5000	ON TAPE, REEL	2-36153-9
5	-	RED	20*	20	5000	ON TAPE, REEL	2-36153-8
5	-	GREEN	22*	22	5000	ON TAPE, REEL	2-36153-6
5	MS7928/1-33 CLASS 1	WHITE	18*	18	1000	LOOSE PIECE	2-36153-5
5	M7928/1-24 CLASS 1	RED	20*	20	1000	LOOSE PIECE	2-36153-4
5	M7928/1-15 CLASS 1	GREEN	22*	22	1000	LOOSE PIECE	2-36153-3
	MILITARY P/N AND CLASS	STRIPE COLOR	1 STAMPING	WIRE SIZE	QUANTITY	PACKAGE TYPE	PART NO

**AMP INCORPORATED**  
**CUSTOMER SERVICE SYSTEMS**

FOR ADDITIONAL PRODUCT INFORMATION OR COPIES OF DRAWINGS AND TECHNICAL DOCUMENTS  
 FOR APPLICATION TOOLING INFORMATION  
 FOR ORDER ENTRY

PRODUCT INFORMATION CENTER  
 1-800-522-6752

TOOLING ASSISTANCE CENTER  
 1-800-722-1111

1-800-526-5142

MAX RECOMMENDED OPERATING TEMPERATURE:  
 105°C [221°F] MAX

VOLTAGE RATING: 300 V MAX

WIRE RANGE:	CIRC MIL AREA:
22	0.38mm <sup>2</sup> [754]
20	0.60mm <sup>2</sup> [1,186]
18	0.96mm <sup>2</sup> [1,900]

STRANDED

THIS DRAWING IS A CONTROLLED DOCUMENT FOR AMP INCORPORATED. IT IS SUBJECT TO CHANGE AND THE CONTROLLING ENGINEERING ORGANIZATION SHOULD BE CONTACTED FOR THE LATEST REVISION.

THIS DRAWING IS A CONTROLLED DOCUMENT.

DIMENSIONS: mm [INCHES]	TOLERANCES UNLESS OTHERWISE SPECIFIED:
	0 PLC ± -
	1 PLC ± -
	2 PLC ± -
	3 PLC ± 0.127[.005]
	4 PLC ± -
	ANGLES ± -

MATERIAL: BODY & SLEEVE: COPPER PER ASTM B-152 INSULATION: NYLON

FINISH: BODY & SLEEVE: TIN PLATE PER ASTM B545 INSULATION: COLOR-RED

DWN	DK SCHRUM	9/8/93
CHK	RE HERSEY	9/8/93
APVD	ML ELLIS	9/8/93
PRODUCT SPEC	-	
APPLICATION SPEC	114-2157	
WEIGHT	-	

**STE** TE Connectivity

NAME: TERMINAL, RING TONGUE, I.R., PIDG WIRE SIZE, 22, 20 & 18 AWG

SIZE	CAGE CODE	DRAWING NO	RESTRICTED TO
A3	00779	C-36153	-

CUSTOMER DRAWING SCALE NTS SHEET 2 OF 2 REV AA4