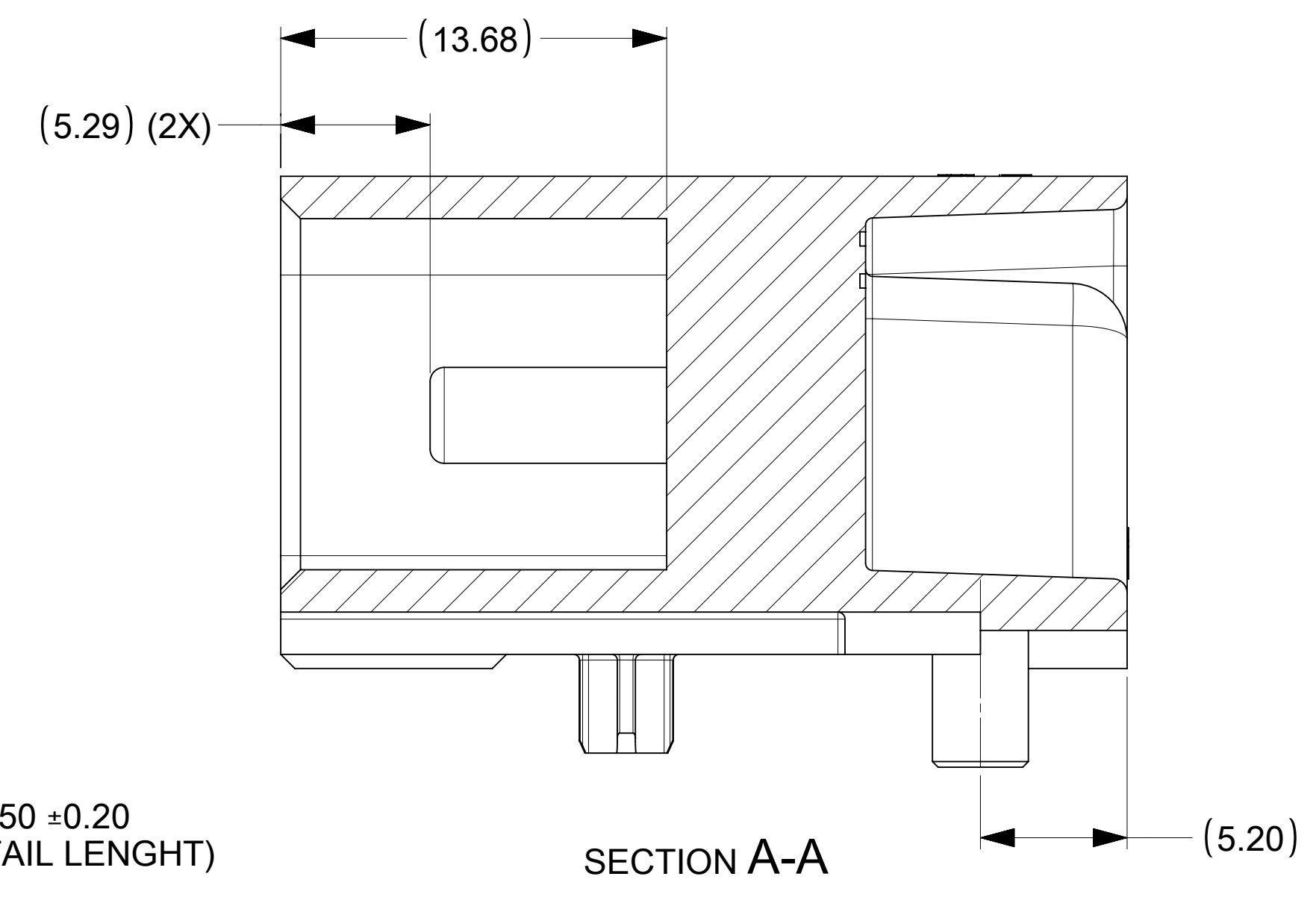
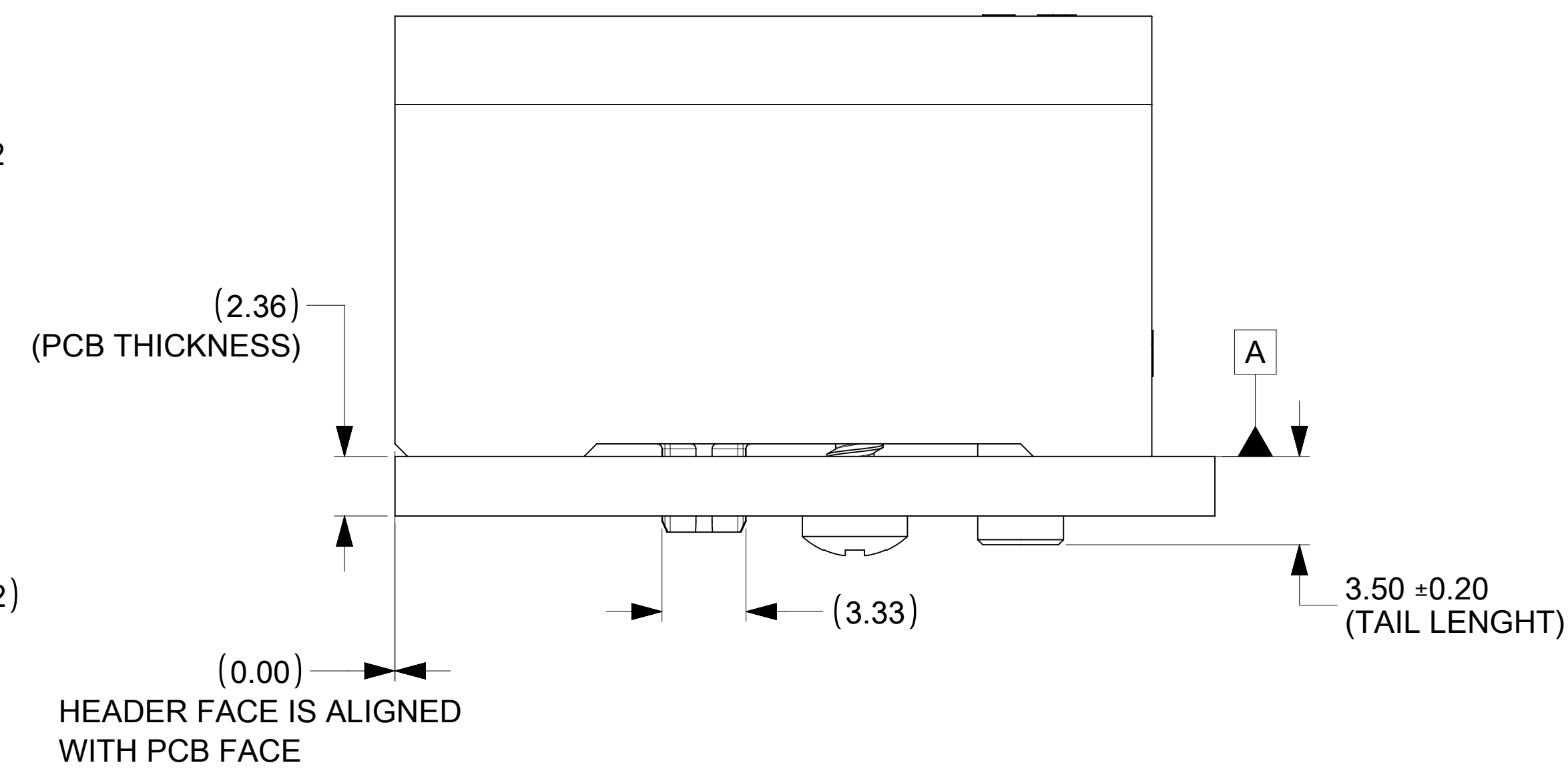
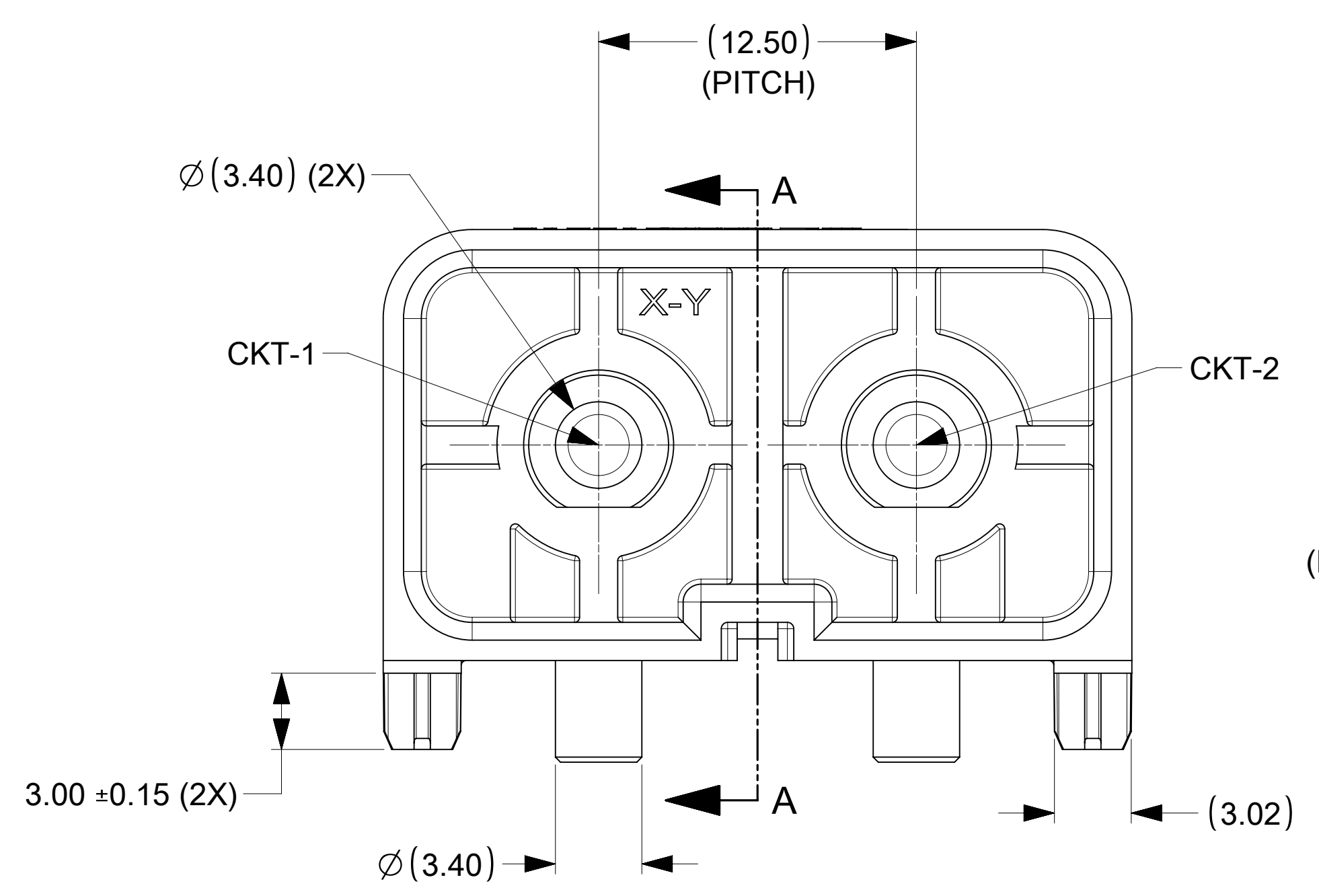
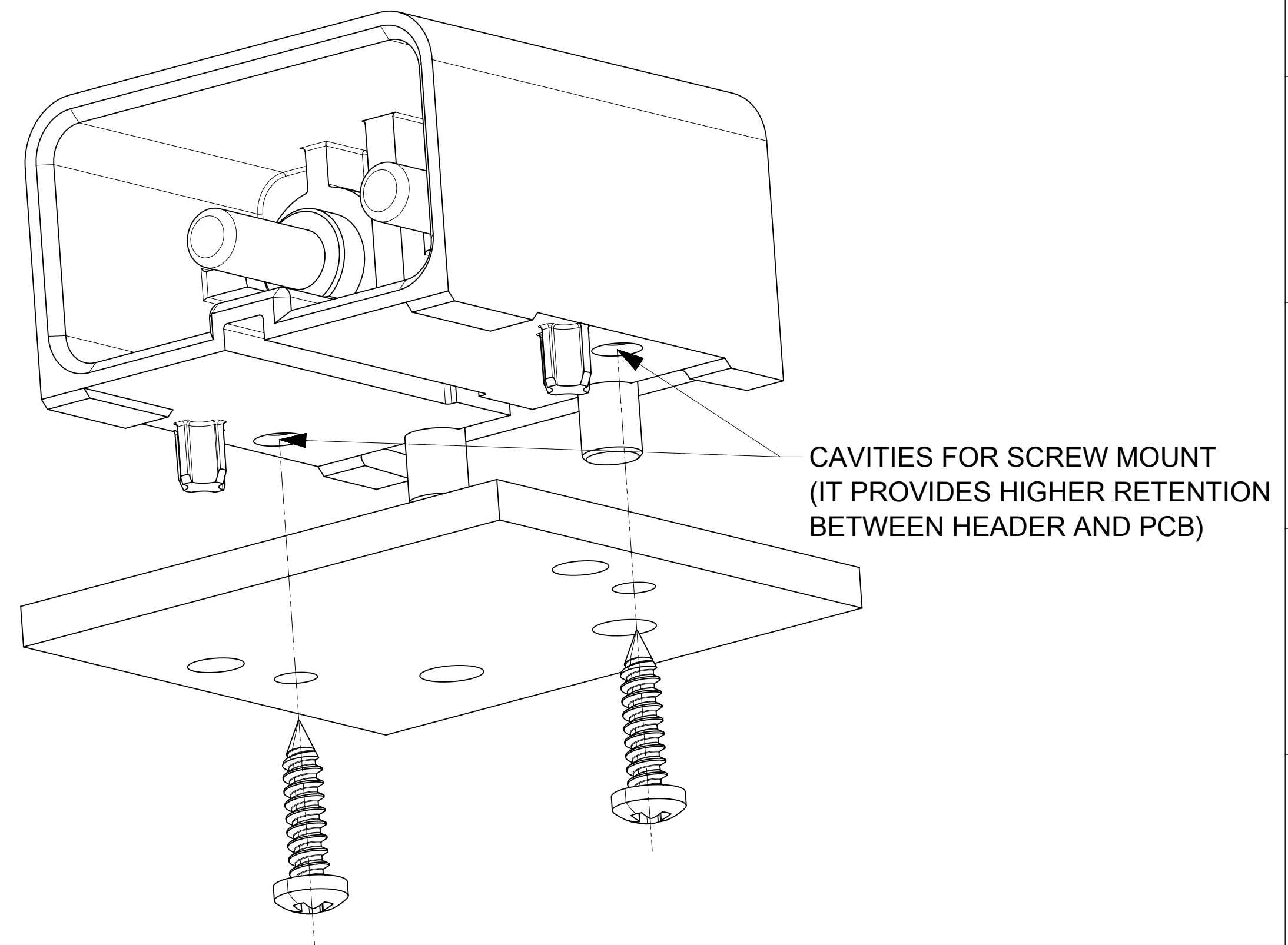
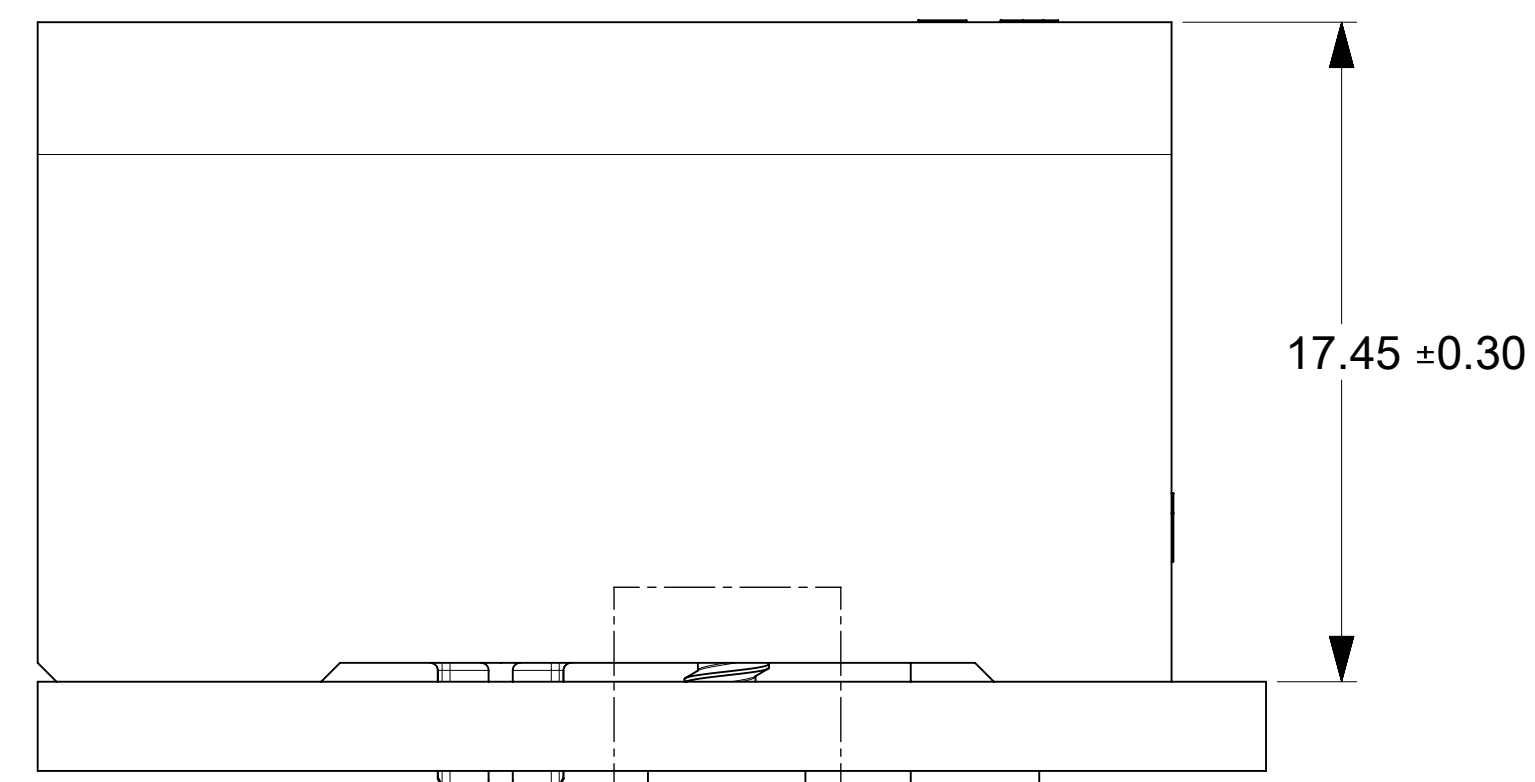


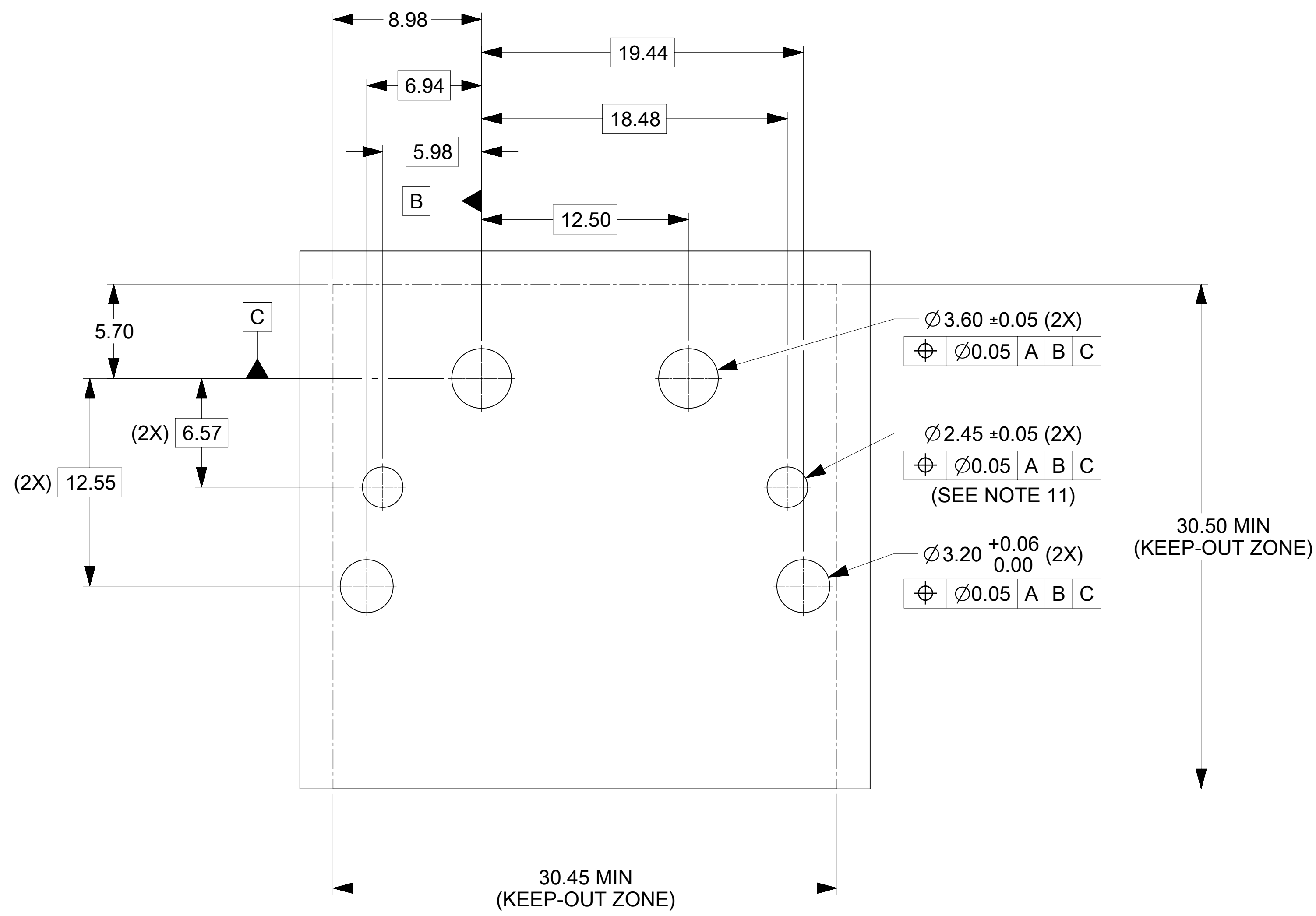
PART NUMBER AND DATE CODE



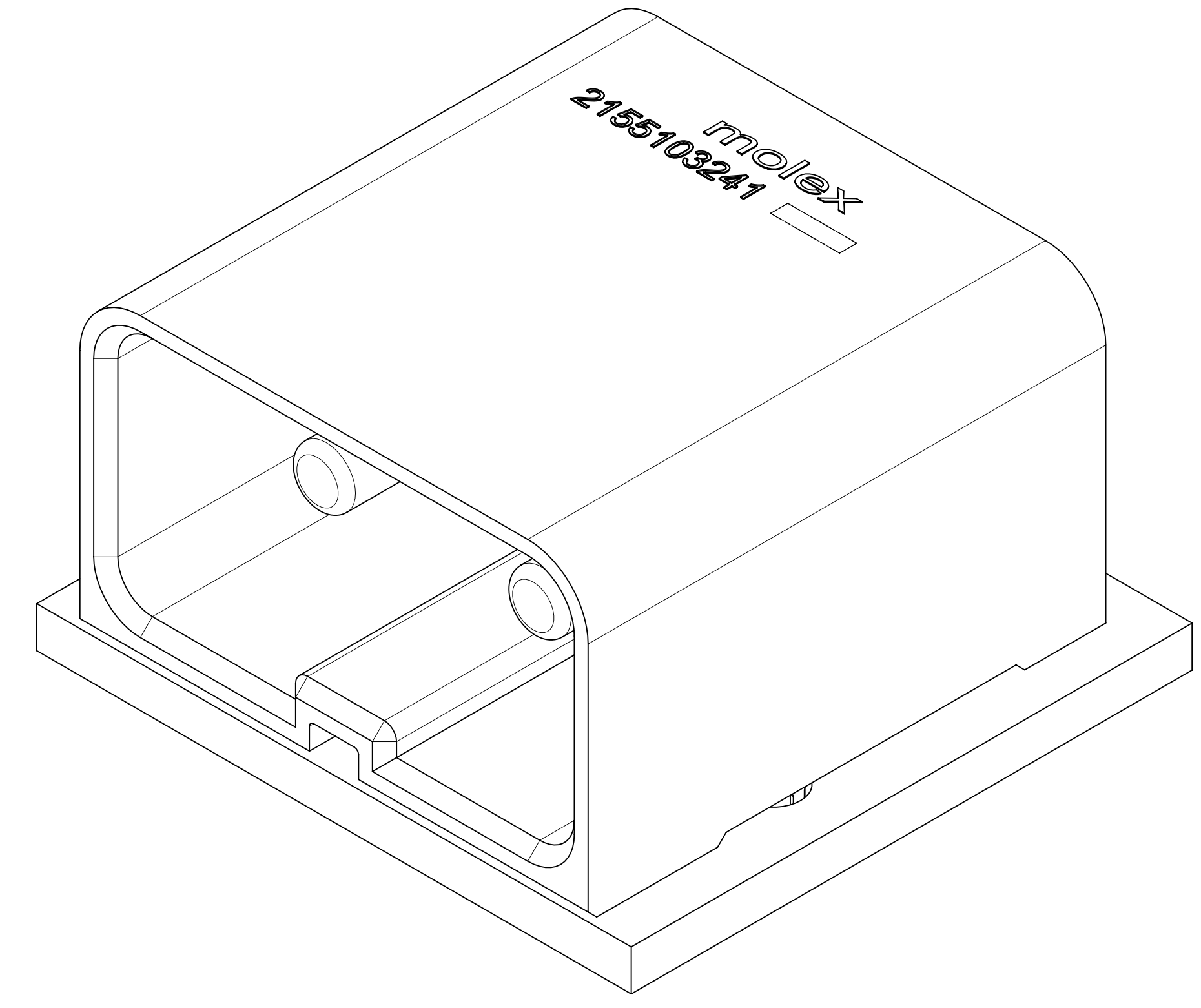
- NOTES:**
- MATERIAL:
-HOUSINGS: LCP UL94 V-0, COLOR: BLACK
-TERMINALS: COPPER ALLOY
 - PLATING: 3.18 MICRON MIN SILVER OVER 1.27 MICRON MIN NICKEL.
 - HEADER TERMINALS ARE FINISHED WITH ANTI-TURNISH TREATMENT BUT MAY TURNISH OVER TIME.
 - ASSEMBLY MEETS ROHS REQUIREMENT.
 - PRODUCT SPECIFICATION: 2155100003-PS
 - TEST SUMMARY: 2155103000-TS
 - APPLICATION SPECIFICATION: 2155101000-AS
 - PACKAGING SPECIFICATION: 2155103121-PK
 - MATES WITH HARNESS ASSEMBLY 215511-3121.
 - HEADER IS MOUNTED TO PCB WITH SELF TAPPING SCREW FOR HIGHER RETENTION FORCE AS SHOWN.
 - FOR USE WITH '2-32' TYPE AB SELF THREADING SCREWS. MOLEX SCREW P/N 73726-0015/73726-0005 OF LENGTH 6.35MM/7.62MM (SCREWS INCLUDED). MAX TORQUE IS 4IN-LBS
 - SCREWS AND WASHERS ARE NOT SUPPLIED BY MOLEX.

THIS DRAWING CONTAINS INFORMATION THAT IS PROPRIETARY TO MOLEX ELECTRONIC TECHNOLOGIES, LLC AND SHOULD NOT BE USED WITHOUT WRITTEN PERMISSION									
DIMENSION UNITS	SCALE	CURRENT REV DESC: INITIAL RELEASE							
mm	5:1	<p style="text-align: center;">molex</p> <p style="text-align: center;">2CKT 3.4MM RA HEADER_SOLDER TAIL VERSION POWERWIZE PRODUCT FAMILY</p> <p style="text-align: center;">PRODUCT CUSTOMER DRAWING</p>							
GENERAL TOLERANCES (UNLESS SPECIFIED)									
ANGULAR TOL	± 0.5°								
4 PLACES	±								
3 PLACES	±								
2 PLACES	± 0.15	EC NO: 727486	2022/11/09		DOCUMENT NUMBER	DOC TYPE	DOC PART	REVISION	
1 PLACE	± 0.25	DRWN: CHETAB	2021/06/08		2155103241	PSD	000	A1	
0 PLACES	±	CHK'D: GSHARMA	2022/11/10		MATERIAL NUMBER	CUSTOMER	SHEET NUMBER		
DRAFT WHERE APPLICABLE MUST REMAIN WITHIN DIMENSIONS		APPR: GSHARMA	2022/11/10		2155103241	GENERAL MARKET	1 OF 2		
THIRD ANGLE PROJECTION		DRAWING	SERIES						
D-SIZE		215510							

DOCUMENT STATUS	P1	RELEASE DATE	2022/11/10	12:32:34
-----------------	----	--------------	------------	----------



RECOMMENDED PCB LAYOUT AND KEEP-OUT ZONES



THIS DRAWING CONTAINS INFORMATION THAT IS PROPRIETARY TO MOLEX ELECTRONIC TECHNOLOGIES, LLC AND SHOULD NOT BE USED WITHOUT WRITTEN PERMISSION												
DIMENSION UNITS mm		SCALE 5:1		CURRENT REV DESC: INITIAL RELEASE								
GENERAL TOLERANCES (UNLESS SPECIFIED)						EC NO: 727486						2022/11/09
ANGULAR TOL		± 0.5°		DRWN: CHETAB		2022/11/10		2CKT 3.4MM RA HEADER_SOLDER TAIL VERSION POWERWIZE PRODUCT FAMILY				
4 PLACES		±		CHK'D: GSHARMA		2022/11/10						
3 PLACES		±		APPR: GSHARMA		2022/11/10		PRODUCT CUSTOMER DRAWING				
2 PLACES		± 0.15		INITIAL REVISION:								
1 PLACE		± 0.25		DRWN: CHETAB		2021/06/08		DOCUMENT NUMBER		DOC TYPE DOC PART REVISION		
0 PLACES		±		APPR: HTHYAGARAJ		2021/11/15		2155103241		PSD 000 A1		
DRAFT WHERE APPLICABLE MUST REMAIN WITHIN DIMENSIONS			THIRD ANGLE PROJECTION		DRAWING		SERIES		MATERIAL NUMBER		CUSTOMER	
					D-SIZE		215510		2155103241		GENERAL MARKET	
SHEET NUMBER											2 OF 2	

DOCUMENT STATUS	P1	RELEASE DATE	2022/11/10	12:32:34
-----------------	----	--------------	------------	----------