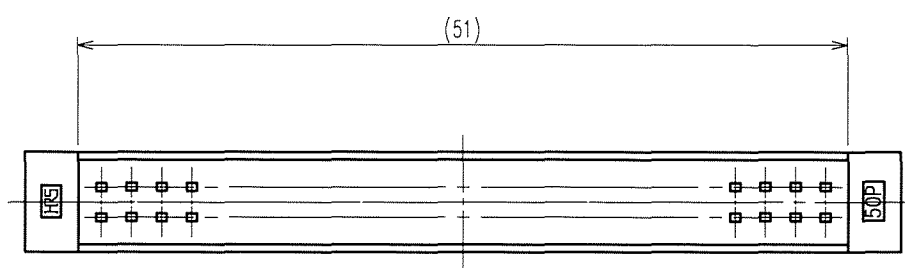
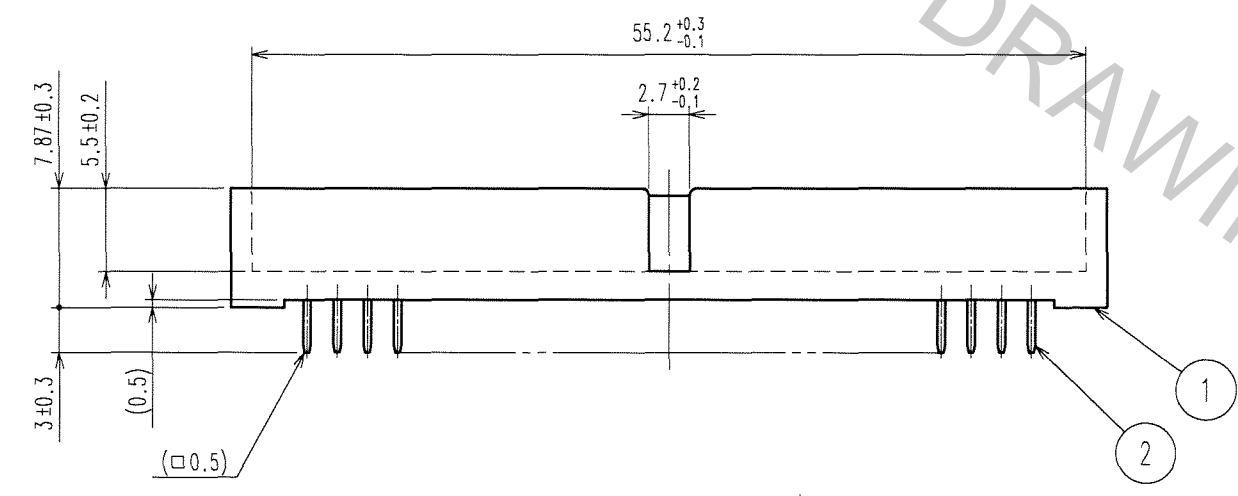
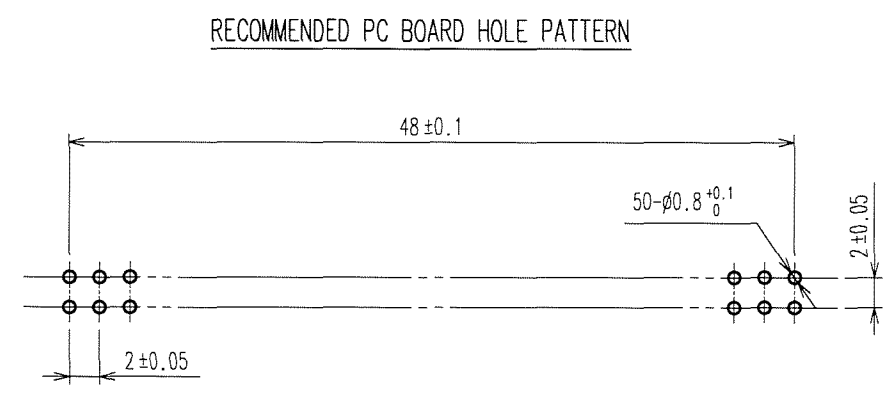
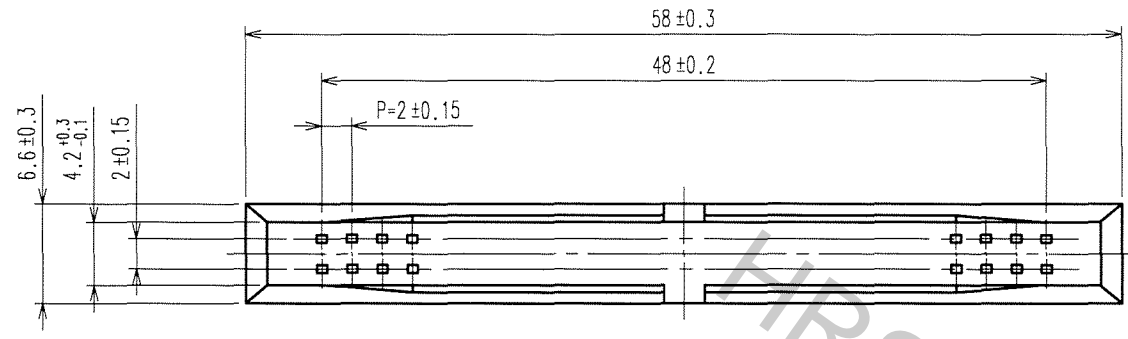


May.1.2017 Copyright 2017 HIROSE ELECTRIC CO., LTD. All Rights Reserved.

COUNT	DESCRIPTION OF REVISIONS	BY	CHKD	DATE	COUNT	DESCRIPTION OF REVISIONS	BY	CHKD	DATE
△				..	△				..
△				..	△				..
△				..	△				..



NOTE 1 THE DIMENSIONS IN PARENTHESES ARE FOR REFERENCE.

1	POLYAMIDE	BLACK	UL94V-0	2	BRASS	CONTACT AREA:GOLD 0.2μ m min. MOUNTING AREA:TIN-PLATING 2μ m min. UNDER PLATING:NICKEL 2.5μ m min.
NO.	MATERIAL	FINISH, REMARKS	NO.	MATERIAL	FINISH, REMARKS	
CODE NO. (OLD) CL			DRAWN A.SUZUKAWA '06.11.30	DESIGNED <i>Y. Nakamura</i> '06.11.30	CHECKED <i>K. Ogawa</i> '06.12.01	APPROVED <i>H. Okawa</i> '06.12.01
DRAWING NO. EDC3-082357-21			PART NO. A3E-50PA-2DSA(71)			
SCALE 2 : 1			CODE NO. CL621-0914-6-71			1/1
UNITS mm			HIROSE ELECTRIC CO., LTD			

TO
PCK