

# Customer Information Sheet

DRAWING No.: H8501-XX

SHEET 2 OF 2

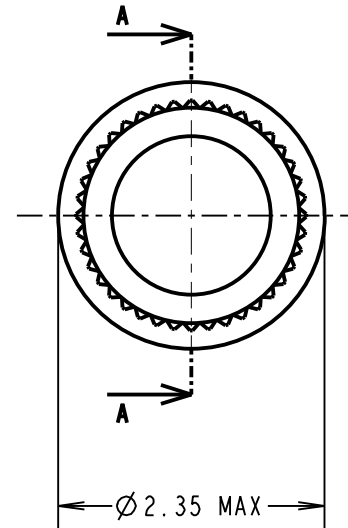
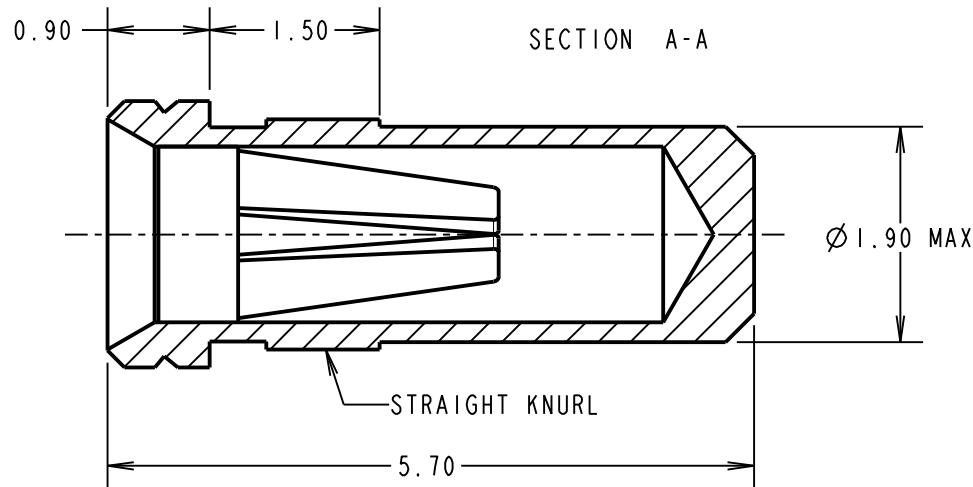
IF IN DOUBT - ASK

©

NOT TO SCALE

THIRD ANGLE PROJECTION

ALL DIMENSIONS IN mm



ORDER CODE:

**H8501-XX**

FINISH:

01 = 100% TIN SHELL, GOLD CLIP  
05 = GOLD SHELL, GOLD CLIP  
46 = 100% TIN SHELL, 100% TIN CLIP

**SPECIFICATION:**

**MATERIAL:**  
CONTACT SHELL = BRASS  
CONTACT CLIP = BERYLLIUM COPPER

**FINISH:**  
01 = 4 $\mu$  100% TIN SHELL, 0.15 $\mu$  GOLD CLIP  
05 = 0.1 $\mu$  GOLD SHELL, 0.15 $\mu$  GOLD CLIP  
46 = 4 $\mu$  100% TIN SHELL, 3 $\mu$  100% TIN CLIP

**ELECTRICAL:**  
CURRENT RATING AT 25°C = 10A MAX  
CURRENT RATING AT 85°C = 7.5A MAX  
CONTACT RESISTANCE = 25 m $\Omega$  MAX

**MECHANICAL:**  
INSERTION FORCE ( $\varnothing$ 0.8mm GAUGE) = 5N MAX, 1.5N MIN  
WITHDRAWAL FORCE ( $\varnothing$ 0.8mm GAUGE) = 3.0N MAX, 1.0N MIN  
**DURABILITY:**

01, 05 = 1000 OPERATIONS  
46 = 100 OPERATIONS

**ENVIRONMENTAL:**  
OPERATING TEMPERATURE = -55°C TO +125°C

**PACKING:**  
BAG

**NOTES:**

- FOR ELECTRICAL/MECHANICAL SPECIFICATION, SEE COMPONENT SPECIFICATION C010XX (LATEST ISSUE).
- MAXIMUM PIN LENGTH = 4.65mm.
- RECOMMENDED MOUNTING HOLE SIZE =  $\varnothing$ 1.96-1.91mm.
- RECOMMENDED MATING PIN SIZE =  $\varnothing$ 0.85-0.60mm.
- MAXIMUM CONTACT DEPTH = 3.30mm.
- SOCKET MUST BE SOLDERED TO PCB TO ENSURE ELECTRICAL CONNECTION.

MSP	14	12.10.15	13128
NAME	ISS.	DATE	C/NOTE
APPROVED:		M.PERREN	
CHECKED:		M.PLESTED	
DRAWN:		A. J. FILLINGHAM	
CUSTOMER REF.:			
ASSEMBLY DRG:			

**HARWIN**

www.harwin.com  
technical@harwin.com

THIS DRAWING AND ANY INFORMATION OR DESCRIPTIVE MATTER SET OUT HEREON ARE CONFIDENTIAL AND COPYRIGHT PROPERTY OF THE HARWIN GROUP AND MUST NOT BE DISCLOSED, LOANED, COPIED OR USED FOR MANUFACTURING, TENDERING OR FOR ANY OTHER PURPOSE WITHOUT THEIR WRITTEN PERMISSION.

**TOLERANCES**

X. =  $\pm$ 1mm  
X.X =  $\pm$ 0.50mm  
X.XX =  $\pm$ 0.10mm  
X.XXX =  $\pm$ 0.01mm  
ANGLES =  $\pm$ 5°  
UNLESS STATED

**MATERIAL:**

SEE ABOVE

**FINISH:**

SEE ABOVE

**S/AREA:**

mm<sup>2</sup>

**TITLE:**

$\varnothing$ 0.8mm SOCKET ASSEMBLY

**DRAWING NUMBER:**

**H8501-XX**

SHT  
2  
OF  
2