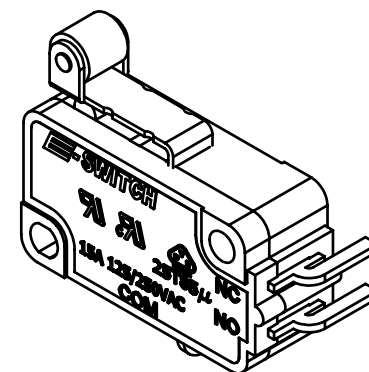
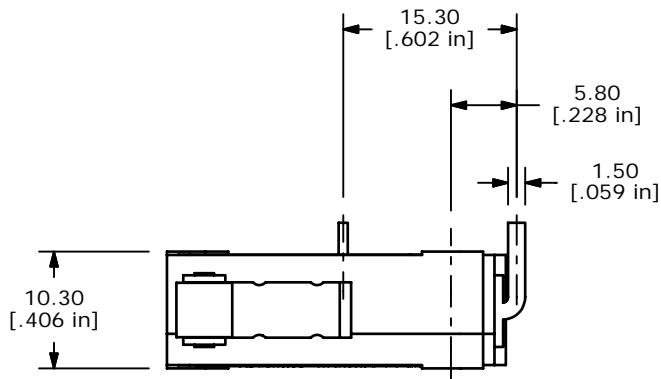


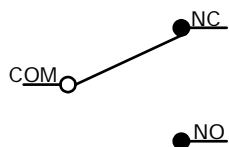
P.C. MOUNTING



ISOMETRIC

O.P. (MM)	P.T. (MM)
20.7 ± 0.8	2.7 MAX.

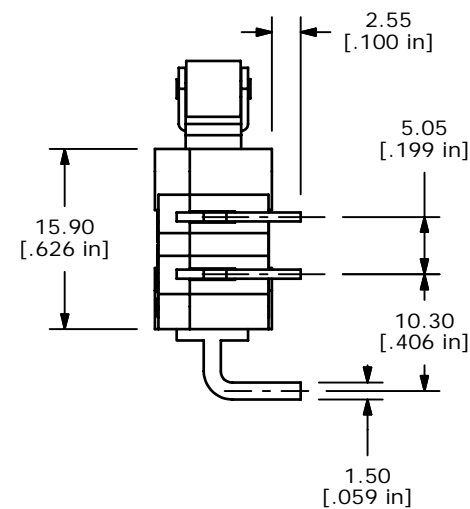
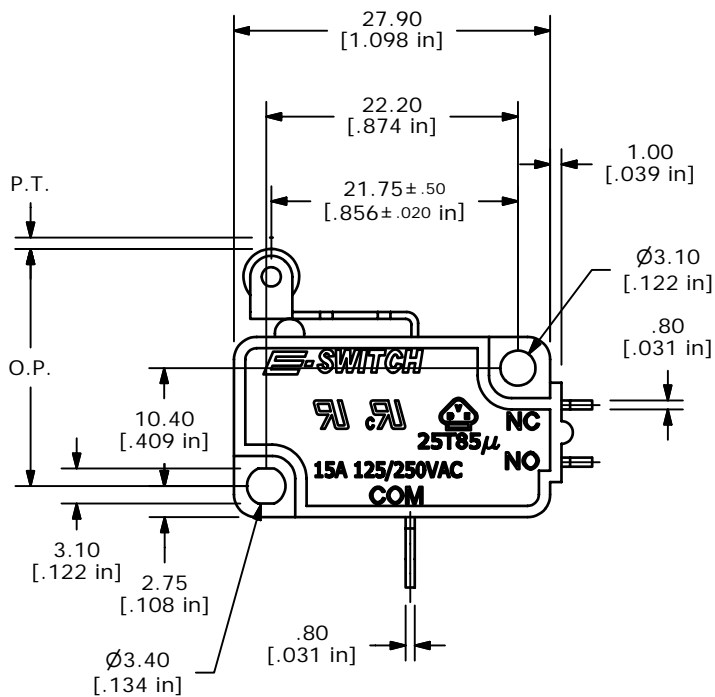
O.P. = OPERATING POINT  
P.T. = PRE-TRAVEL



CIRCUIT: SPDT

NOTES:

1. ALL DIMENSIONS IN MM [INCH]
2. GENERAL TOLERANCE: X.X ± 0.4  
X.XX ± 0.25
3. RATING: 15A @125/250VAC UL, CUL, VDE APPROVED
4. OPERATING FORCE: 160 ± 40 GRAMS
5. OPERATING TEMP: -25°C TO 85°C
6. ELECTRICAL LIFE: 50,000 CYCLES MIN.
7. MECHANICAL LIFE: 1,000,000 CYCLES TYP.
8. INSULATION RESISTANCE: 100 MEGA-OHMS MIN.
9. DIELECTRIC STRENGTH: 1500VAC 1 MINUTE (INITIAL VALUE)
10. CONTACT RESISTANCE: 100 MILLI -OHMS MAX.
11. ▲ DENOTES CRITICAL PARAMETER.
12. 2002/95/EC (ROHS) COMPLIANT



**E-SWITCH®**

A	15601	RELEASED FOR PRODUCTION	12/19/05	PH
REV	PCR NO	DESCRIPTION	DATE	BY

TITLE LS0851505F160V1A				
SCALE	DATE	DR	DWG	REV
1.5:1	12/19/2005	PH	Q950026	A

THE INFORMATION CONTAINED IN THIS DOCUMENT IS PROPRIETARY TO E-SWITCH AND IS NOT TO BE COPIED OR TRANSFERRED