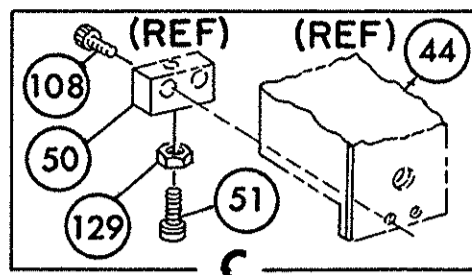
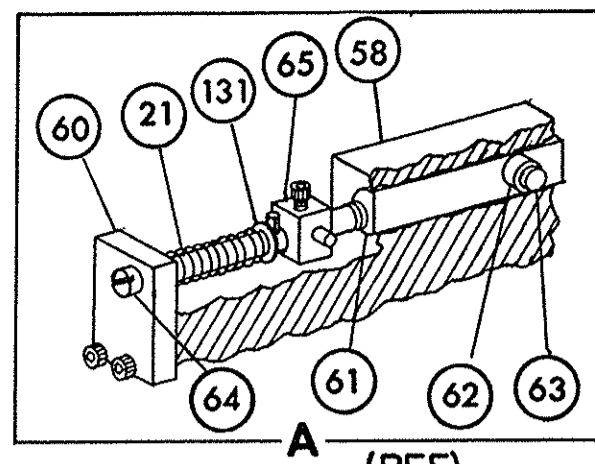
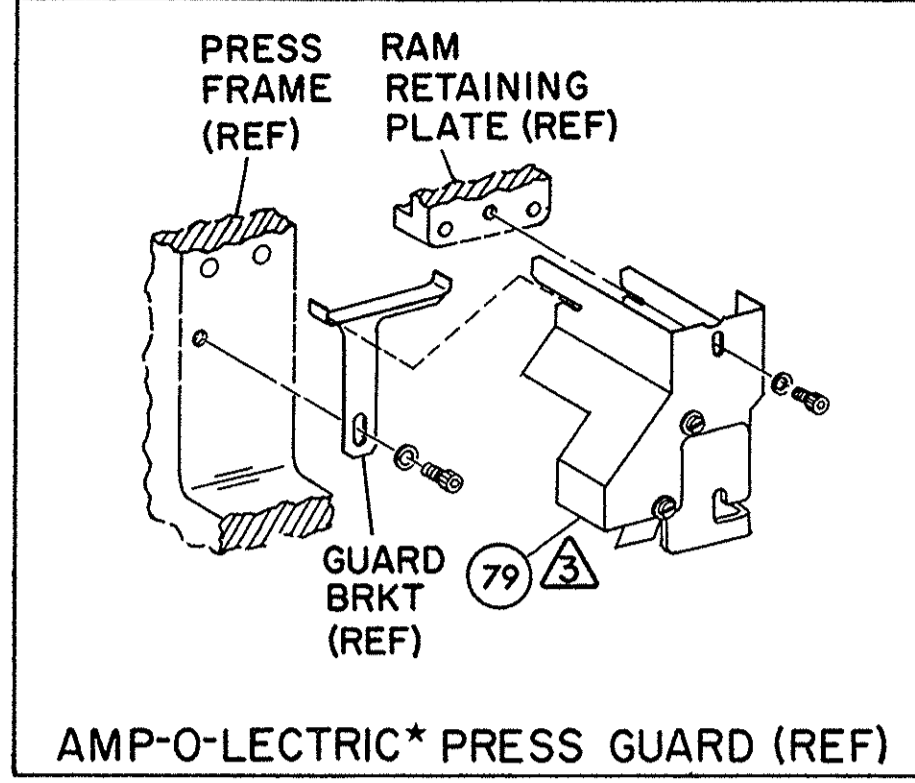
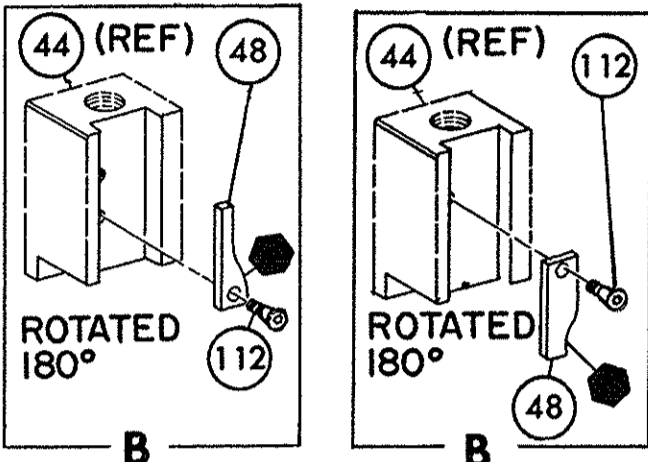


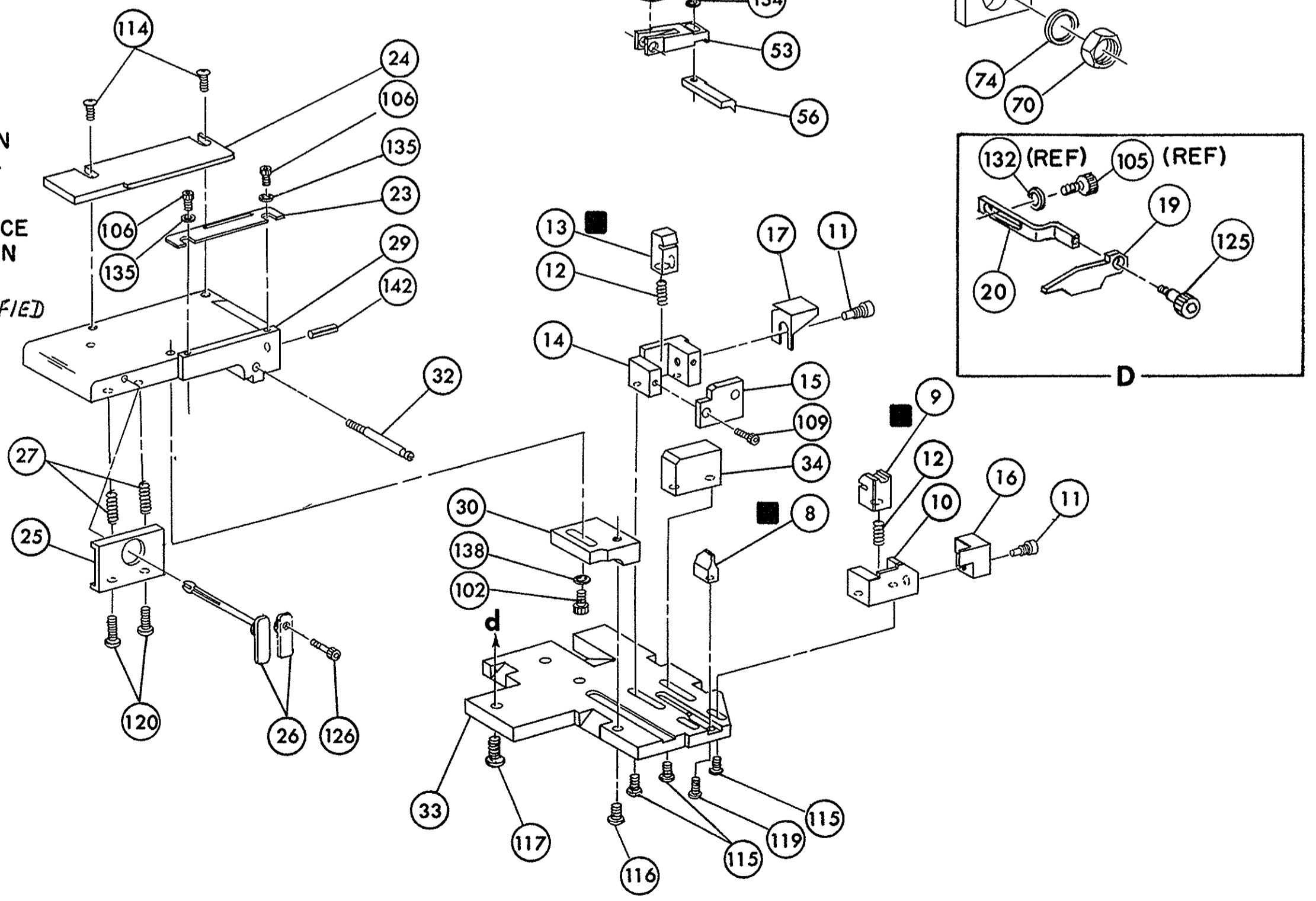
THIS IS A CONTROLLED DOCUMENT



PRE-FEED 1 1/8" STROKE



- NOTES:
- 1. ONLY THE ITEMS WITH QUANTITIES SPECIFIED ON PARTS LIST ARE USED ON THIS APPLICATOR.
 - 2. USED IN PLACE OF ITEM 38 WHEN INSULATION CRIMP IS NOT USED.
 - 3. GUARD MUST BE IN PLACE WHEN OPERATING APPLICATOR IN AMP-O-LECTRIC PRESS.
 - 4. PARTS WITH QTY OF REF SPECIFIED (EXCEPT ITEM 79) ARE USED KEY: ON ITEM 46.
 - 5. RECOMMENDED SPARE PARTS
 - 6. LUBRICATE DAILY USING NO. 20 MACHINE OIL.
 - 7. GREASE LIGHTLY



REF	21045-3	RING, RETAINING 'C' (.187 DIA) FEED FINGER PIN	145	REF	454220-1	CAP, HOUSING	59
REF	5-21028-1	PIN, SLOT SPR (.125 DIA X .50) ADJ ROD	143	REF	454485-1	HOUSING	58
1	4-21028-0	PIN, SLOT SPR (.093 DIA X .75) STR G PLATE	142	1	458537-2	PAWL, FEED	56
REF	1-21030-1	PIN, DOWEL (.187 DIA X .50) LEVER	141	REF	240624-1	PIN, FEED FINGER	55
REF	1-21030-6	PIN, DOWEL (.187 DIA X 1.25) HOUSING	140	REF	691499-1	SPRING, FEED FINGER	54
-	21024-5	WASHER, LOCK (NO 10) LUB ASSY	139	REF	690541-1	FINGER, FEED	53
1	21024-5	WASHER, LOCK (NO 10) STRIP GUIDE ADJ BLOCK	138	REF	455679-1	LEVER, TERMINAL FEED ARM	52
REF	21024-5	WASHER, LOCK (NO 10) ADJ PLATE	137			BUMPER, HOLDDOWN	51
REF	21024-5	WASHER, LOCK (NO 10) FEED GUIDE ROD	136			SPACER, TONKER	50
2	21024-2	WASHER, LOCK (NO 4) FRONT STRIP GUIDE	135	1	7-21002-9	BOLT, CRIMPER	49
1	21024-4	WASHER, LOCK (NO 8) FEED FINGER	134	1	690602-5	CAM PRE FEED 1/8" STROKE	48
-	21024-4	WASHER, LOCK (NO 8) DEPRESSOR	133				47
1	21024-4	WASHER, LOCK (NO 8) STRIPPER	132	1	459456-1	APPLICATOR, BASIC (SUB ASSY)	46
REF	21899-4	WASHER, FLAT (5/16 DIA) SCREW ADJ	131	1	690191-1	PLUG, NYLON	45
-	21899-2	WASHER, FLAT (NO 10) LUB ASSY	130	1	455673-1	RAM	44
-	21018-5	NUT, HEX MACH (6-32) HOLDDOWN	129	1	690125-1	WASHER, LAMINATED	43
REF	21018-5	NUT, HEX MACH (6-32) FEED ADJ	128	1	690124-1	WASHER, RAM	42
			127	1	690223-1	DISC, SPACER	41
1	22353-8	SCR, SHLD. (.187 DIA X .250 LG) DRAG LEVER	126	1	23241-6	BALL, STEEL	40
1	456567-1	SCR, SHLD. (.188 DIA X .125 LG) STRIPPER	125	1	690170-1	SPRING, COMPRESSION	39
1	21009-2	SCR, SKT SET (1/4-20 X .25) (LOC-WEL) RAM	124			DISC, INSULATION	38
			123	1	4-692155-7	DISC, WIRE	37
REF	6-23715-5	SCR, PAN HD MACH (6-32 X 1.50) FEED ADJ	122	1	22480-5	WASHER, SPRING	36
			121	1	690212-1	POST, RAM	35
2	5-21006-6	SCR, SKT SET (10-32 X .75) DRAG	120			SUPPORT, TERMINAL	34
1	22733-8	SCR, BUT HD SKT CAP (8-32 X .38) (LOC-WEL) ANVIL	119	REF	455675-1	PLATE, BASE	33
REF	2-21002-9	SCR, BUT HD SKT CAP (10-32 X .75) CAP	118	1	690432-3	SCREW, ADJUSTMENT	32
REF	17177-1	SCR, BUT HD SKT CAP (1/4-20 X .62) HOUSING	117				31
REF	2-21002-7	SCR, BUT HD SKT CAP (10-32 X .50) SG ADJ BLOCK	116	REF	455689-1	BLOCK, STRIP GUIDE ADJ	30
2	2-21002-2	SCR, BUT HD SKT CAP (8-32 X .50) SHEAR	115	1	2-458144-4	PLATE, STRIP GUIDE	29
2	2-21002-1	SCR, BUT HD SKT CAP (8-32 X .38) R STRIP GUIDE	114	1	455888-8	SPACER, FRONT SHEAR DEPRESSOR	28
			113	2	1-22284-0	SPRING, DRAG	27
1	1-21002-7	SCR, BUT HD SKT CAP (6-32 X .38) CAM	112	1	356835-1	LEVER, DRAG RELEASE	26
-	3-21000-4	SCR, SKT HD CAP (10-32 X .38) LUBRICATOR ASSY	111	1	240792-1	DRAG, STOCK	25
1	23030-1	SCR, SKT HD CAP (6-32 X .25) (LOC-WEL) CP DISC	110	1	6-690504-4	GUIDE STRIP (REAR)	24
			109	1	690438-1	GUIDE, STRIP (FRONT)	23
			108				22
1	2-22603-0	SCR, HEX HD MACH (8-32 X .31) FEED FINGER	107	REF	4-22284-9	SPRING, FEED RETURN	21
2	1-21000-3	SCR, SKT HD CAP (4-40 X .25) F STRIP GUIDE	106	1	458950-1	ARM, STRIPPER	20
1	2-21000-7	SCR, SKT HD CAP (8-32 X .50) STRIPPER	105	1	458949-1	STRIPPER	19
REF	3-21000-7	SCR, SKT HD CAP (10-32 X .75) FEED ROD GUIDE	104			HOLDER, TERMINAL	18
REF	3-21000-6	SCR, SKT HD CAP (10-32 X .62) FEED ADJ BLOCK	103			GUARD, CHIP (REAR)	17
1	3-21000-4	SCR, SKT HD CAP (10-32 X .38) SG ADJ BLOCK	102	1	691667-1	GUARD, CHIP (FRONT)	16
REF	3-21000-4	SCR, SKT HD CAP (10-32 X .38) PIVOT BLOCK	101			PLATE, SHEAR (REAR)	15
REF	455749-1	GUARD (WINDOW)	79			HOLDER, SHEAR (REAR)	14
-	1-465184-0	LUBRICATOR ASSY	78			SHEAR, FLOAT (REAR)	13
			77	1	3-22280-3	SPRING, SHEAR	12
2	21017-2	SCR, DRIVE (#2 X .19) I. D. PLATE	76	1	690461-1	STOP, SHEAR	11
1	461264-1	PLATE, I. D.	75	1	690459-1	HOLDER, SHEAR (FRONT)	10
REF	458109-1	WASHER, SPECIAL	74	1	454276-1	SHEAR, FLOAT (FRONT)	9
			73	1	610196-7	ANVIL	8
1	690603-1	SPRING, ASSIST	72			SPACER, DEPRESSOR (REAR)	7
			71			DEPRESSOR, SHEAR (REAR)	6
			70	1	455889-9	DEPRESSOR, SHEAR (FRONT)	5
			69			SPACER, TUBULAR, INS CRIMPER	4
			68			CRIMPER, INSULATION	3
			67			SPACER, CRIMPER	2
			66	1	3-456406-3	CRIMPER, WIRE	1

REMARKS	NO	REV
	TO APPLY TERMINAL	
	114-2050	
APPL USED ON MACHINE PART NO	MACH SERIAL NO	DISTRIBUTION
CUSTOMER NAME	APPL SERIAL NO	ORIGINAL
ADDRESS	PURCHASE ORDER	CUSTOMER COPY
CITY	ENG APP	FIELD ENG COPY

CRIMPING DATA				APPLICATOR WILL APPLY	
PAD LTR	CRIMP HEIGHT	WIRE SIZE	WIRE STRIP LENGTH		
A	.057	18			63364
B	.053	20			
C	.051	22			
D	NOT USED				
CRIMP	SIZE	TYPE	FEED	APPL INST	
WIRE	.090	F	.360	A1 8040	
INSUL					
WIRE RANGE	22-18	INSULATION RANGE	PRESS NO	565435-5	
REMARKS					
AMP-O-LECTRIC PRE-FEED					

SET UP GAGE 10-1
458637-1 1253
DR 5-11-84 APR 1984
C. E. ...
CHK 5-15-84 REL 5/12/84
NAME UEG
LOC A D NO 567165-2 REV B
B ECR-08-027767 TM 11-08
A 0130-0443-02 CE 3-02
NAME MINIATURE QUICK CHANGE APPLICATOR
SIDE FEED (MAG MATE POKE-IN TAB)

AMP INCORPORATED Harrisburg, Pa

AMP 2983-3 (4-76)