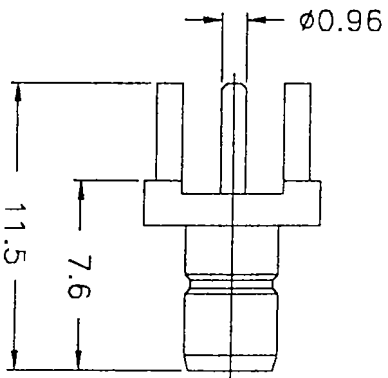
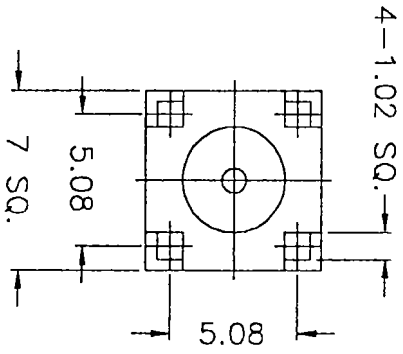


| REV. | DATE | DESCRIPTION |
|------|--------|-----------------|
| NC | 9-4-96 | INITIAL RELEASE |



| DESCRIPTION | MATERIAL | FINISH | DIMENSIONS ARE IN MILLIMETERS UNLESS OTHERWISE SPECIFIED TOLERANCES ARE: | | APPROVALS | DATE | TITLE | | | |
|-------------|----------|---------|--|---------|-----------|--------|-------|----------|----------|------|
| 1 BODY | BRASS | NICKEL | 0.5-6 = ± 0.2 | DRAWN | G.R.S | 9-4-96 | SIZE | FSQ# NO. | DWG. NO. | REV. |
| 2 INSULATOR | TEFLON | NATURAL | 6-30 = ± 0.4 | CHECKED | | | A | 99001 | 142136 | NC |
| 3 CONTACT | BRASS | GOLD | 30-120 = ± 0.6 | ISSUED | | | SCALE | PART NO. | SHEET | |
| 4 | | | 120-315 = ± 1 | | | | 4:1 | 142136 | 1 | OF 1 |
| 5 | | | 315-1000 = ± 1.6 | | | | | | | |
| 6 | | | 1000-2000 = ± 2.4 | | | | | | | |
| 7 | | | | | | | | | | |
| 8 | | | | | | | | | | |



SMB STRAIGHT RECEPTACLE PCB 50ohm

DO NOT SCALE DRAWING