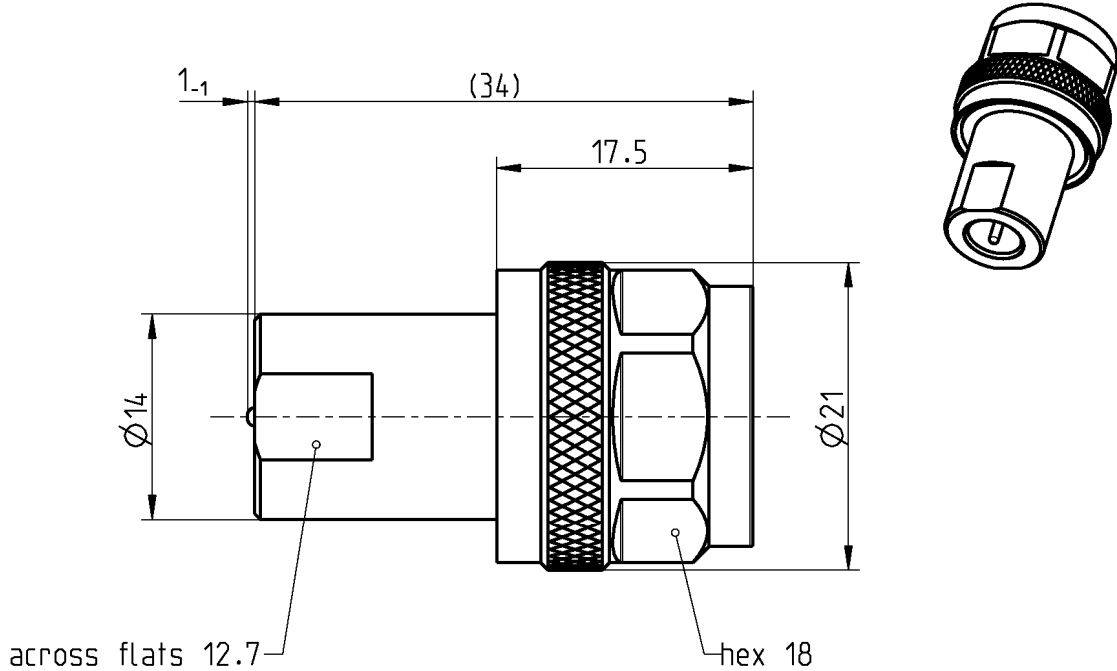


adaptor
FME plug – N plug

26S153-S00A1



All dimensions are in mm; tolerances according to ISO 2768 m-H

Interface

According to	FME side:	N/A
	N side:	IEC 60169-16, MIL-PRF-39012, CECC 22210

Documents

N/A

Material and plating

Connector parts

	Material	Plating
Center contact	Brass	Silver, 3-6 μ m
Outer contact FME side	Brass	Nickel, 2.5-5 μ m
Outer contact N side	Brass	Flash white bronze over silver(e.g. Optargen®)
Dielectric	PTFE	
Gasket N side	NeopreneCR 50C6	
Coupling nut N side	Brass	White bronze(e.g. Optalloy®)

adaptor
FME plug – N plug

26S153-S00A1

Electrical data

Impedance	50 Ω	
Frequency	DC to 3 GHz	
Return loss	≥ 25 dB, DC to 1 GHz	
	≥ 15 dB, 1 to 2 GHz	
Insertion loss	≤ 0.1 dB max., DC to 1 GHz	
Insulation resistance	≥ 5 x10 ³ MΩ	
Center contact resistance	≤ 10 mΩ, FME side;	≤ 1 mΩ, N side
Outer contact resistance	≤ 5 mΩ, FME side;	≤ 0.25 mΩ, N side
Test voltage	1000 V rms	
Working voltage	500 V rms	

Mechanical data

	FME side	N side
Mating cycles	min. 300	min. 500
Coupling nut retention	N/A	≥ 450 N
Center contact captivation: axial	≥ 28 N	≥ 28 N
Coupling test torque	max. 2 Nm	max. 1.7 Nm
Recommended torque	N/A	0.7 Nm to 1.1 Nm

Environmental data

Temperature range	-55°C to +125°C
Environmental tests	MIL-STD-202
RoHS	compliant

Tooling

N/A

Suitable cables

N/A

Weight

Weight	35.5 g/pce
--------	------------

While the information has been carefully compiled to the best of our knowledge, nothing is intended as representation or warranty on our part and no statement herein shall be construed as recommendation to infringe existing patents. In the effort to improve our products, we reserve the right to make changes judged to be necessary.

Draft	Date	Approved	Date	Rev.	Engineering change number	Name	Date
Inge Mühlauer	26/07/05	Sa. Krautenbacher	13.03.14	c00	14-0352	T. Krojer	13.03.14
Rosenberger Hochfrequenztechnik GmbH & Co. KG P.O.Box 1260 D-84526 Tittmoning Germany www.rosenberger.de					Tel.: +49 8684 18-0 Fax: +49 8684 18-499 email: info@rosenberger.de		Page 2 / 2