

Type CSC-08

Fuse Clip – Ear Type w/ End Stops

5mm Diameter Fuses



www.optifuse.com

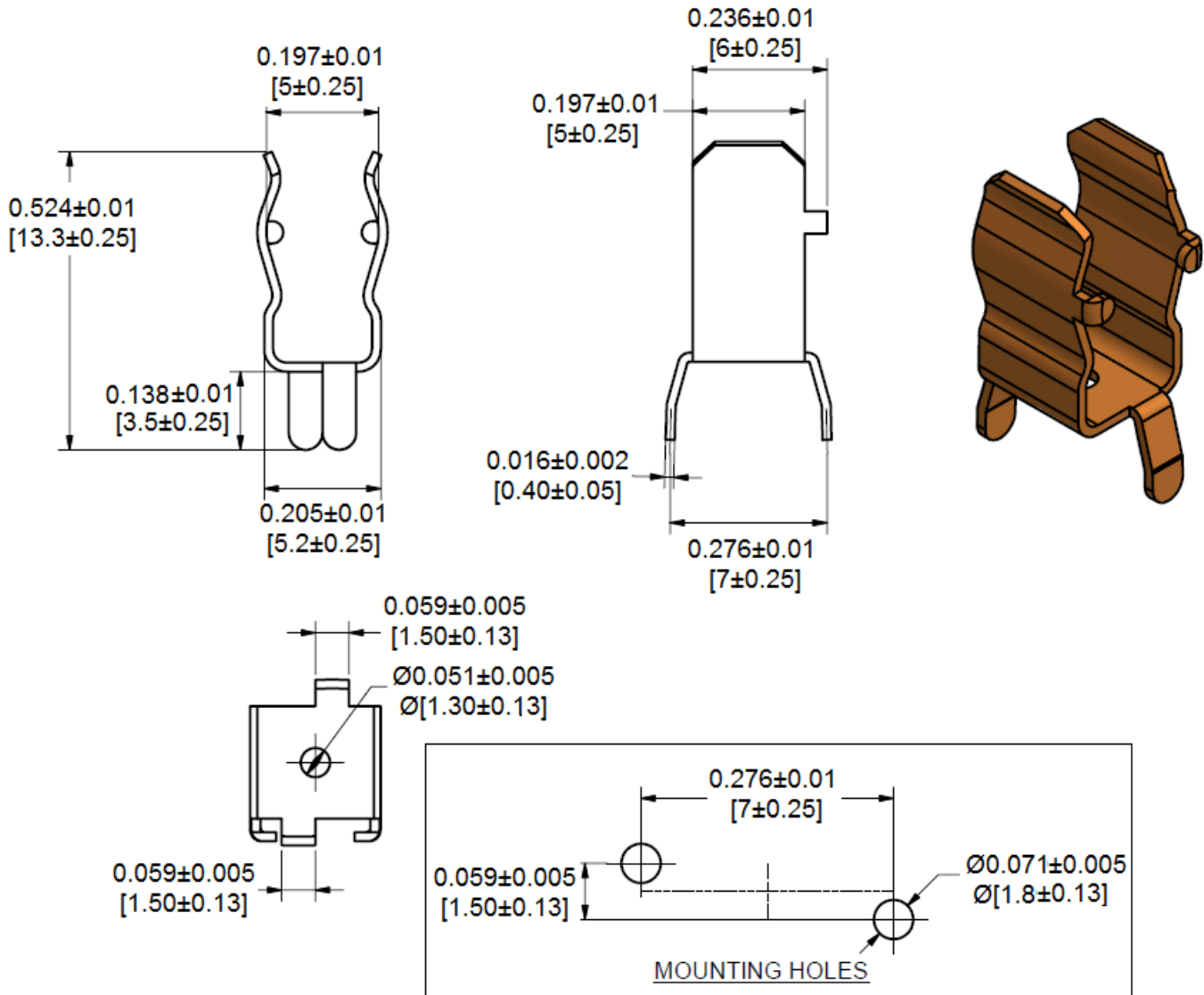
(619) 593-5050

Specifications:

- Rating: 10A
- Body Material: Phosphor Bronze
- Finish: Tin Plated
- Fuse Clip Type: Ear Type with End Stops

For use with 5mm Diameter Fuses

Mechanical Dimensions: Inches [mm]



	<p>Warning: -Operation beyond the specified maximum ratings or improper use may result in damage and possible electrical arcing and/or flame.</p>
	<p>-Avoid contact of device with chemical solvent. Prolonged contact may damage the device performance.</p>

Note: All specifications subject to change without notice.