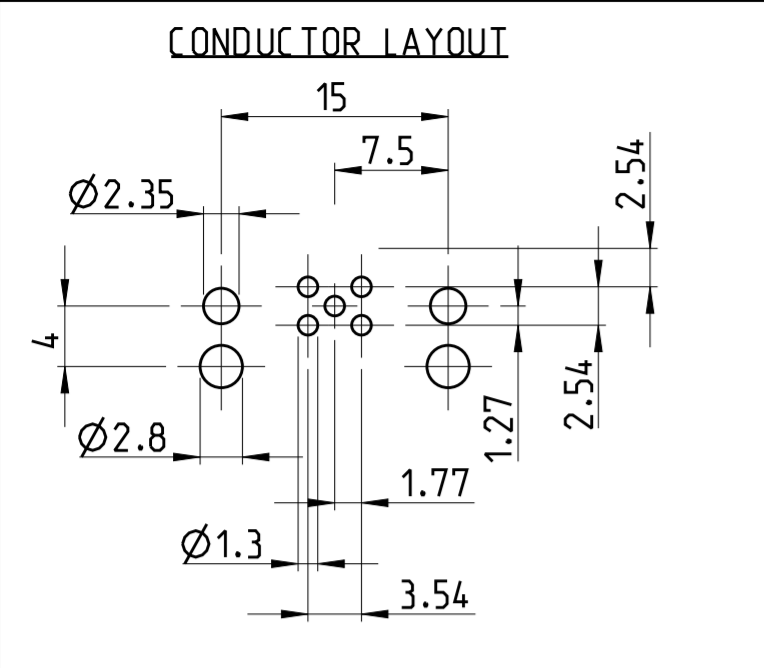


THIS DRAWING IS UNPUBLISHED. VERTRÄULICHE UNVERÖFFENTLICHTE ZEICHNUNG. RELEASED FOR PUBLICATION FREI FÜR VERÖFFENTLICHUNG. 2014. MATED WITH: PASSEND ZU: © COPYRIGHT 2014 Tyco Electronics AMP GmbH. ALL RIGHTS RESERVED. ALLE RECHTE VORBEHALTEN.

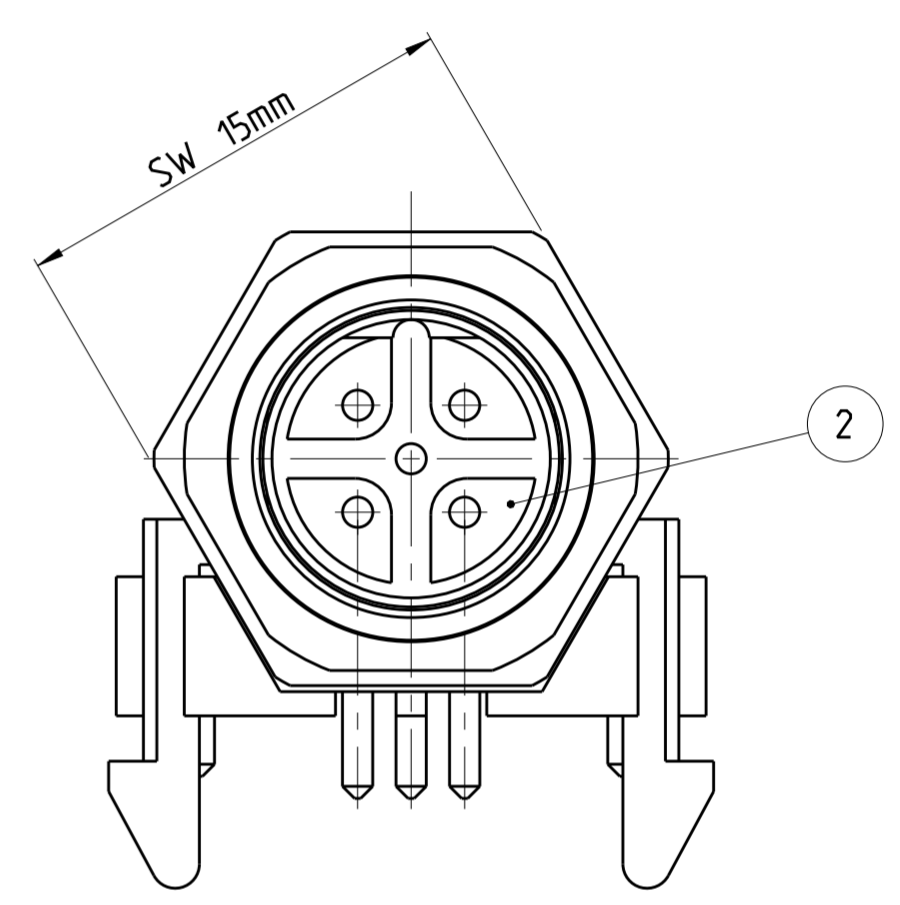
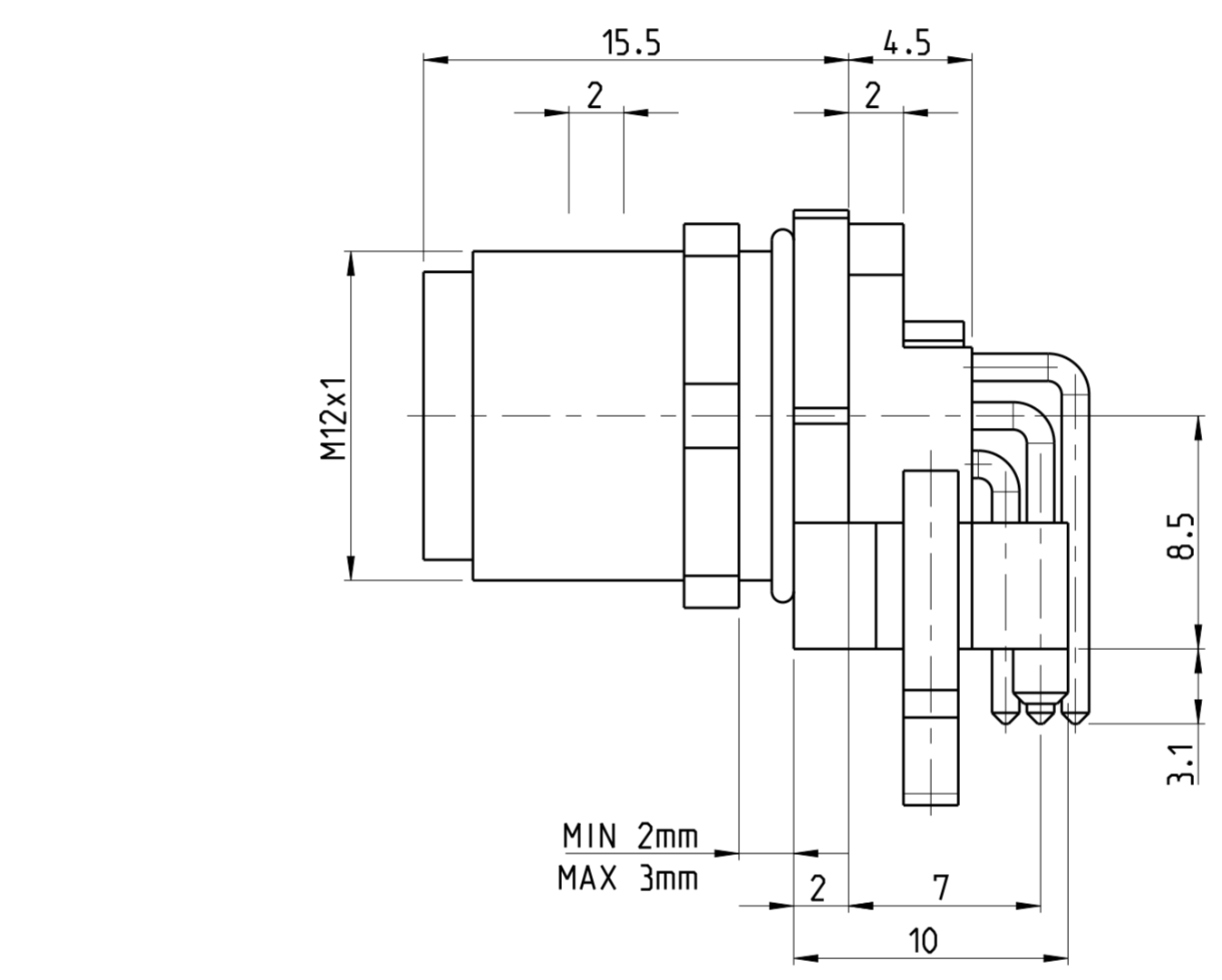
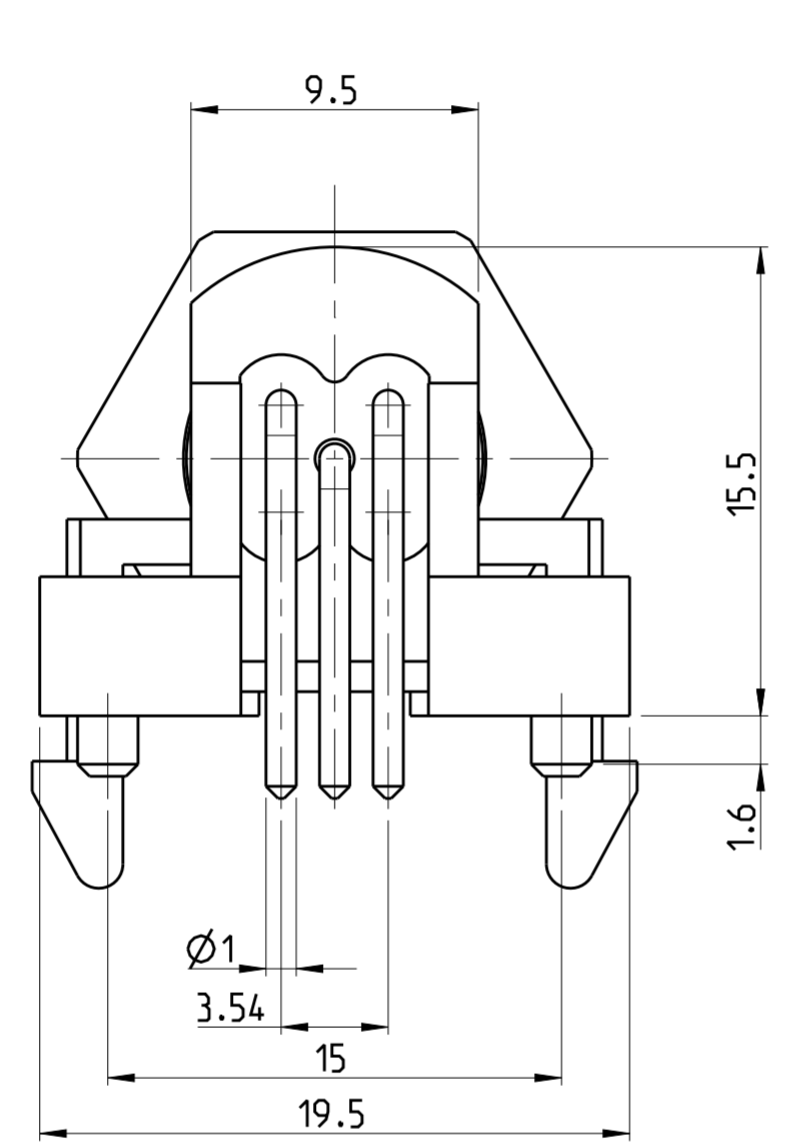
PROJEKT NR.: PRJ-11-000004377

REVISIONS		DATE	DWN	APVD
ÄNDERUNGEN				
DESCRIPTION				
BESCHREIBUNG				
P	LTR			
	A	01DEC2014	CR	JK
NEW RELEASE				

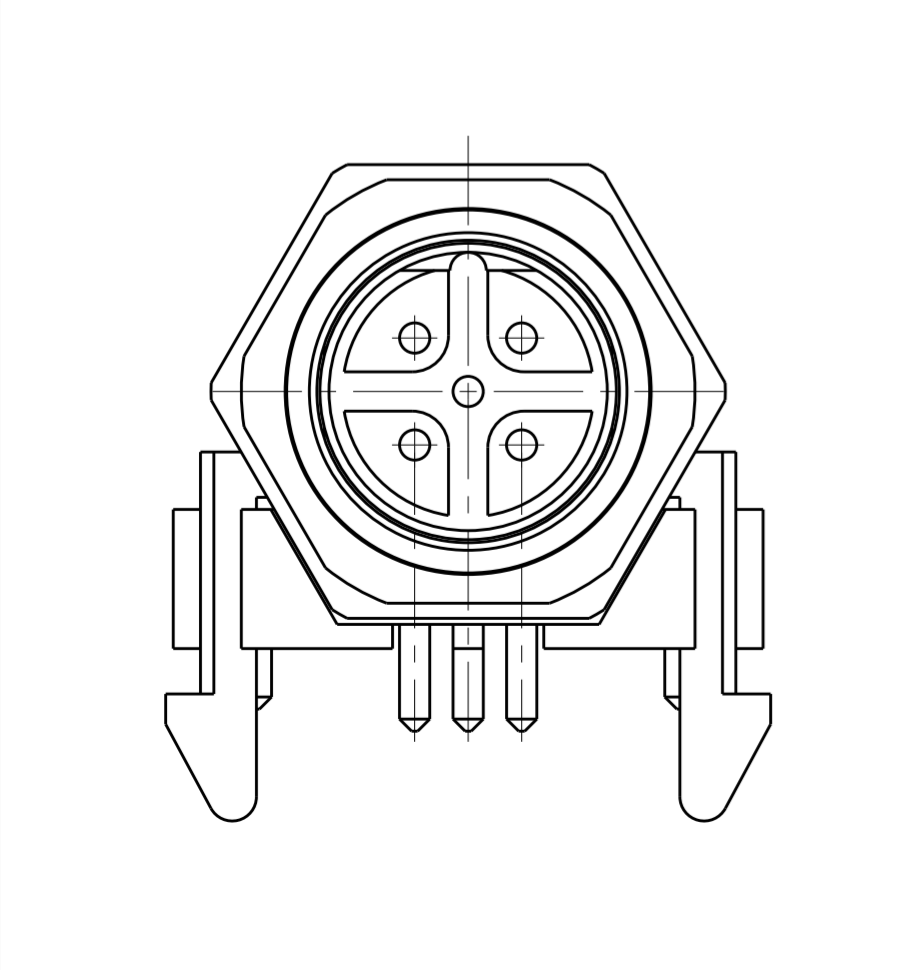


1 MATERIAL: ITEM NO. 1: HOUSING - CuZn (BRASS, NICKEL PLATED)  
 ITEM NO. 2: CONTACT BODY - PA  
 ITEM NO. 3: CONTACT - CuZn (BRASS)  
 CONTACT FINISH - AU (GOLD)

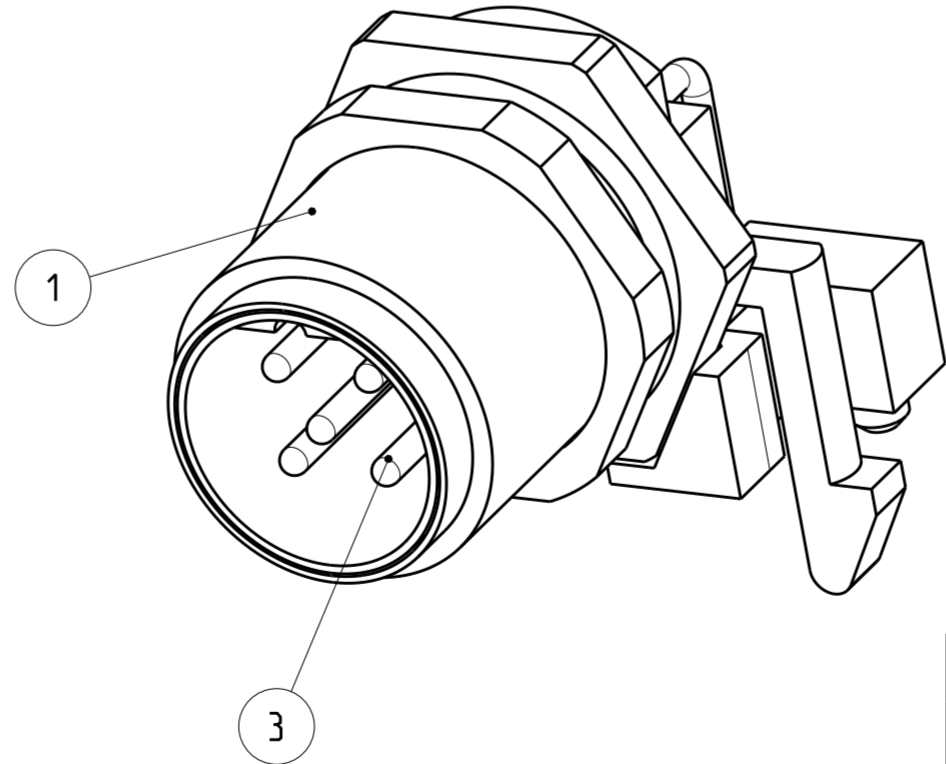
2 ALL DIMENSIONS ARE FOR NOMINAL REFERENCE ONLY UNLESS OTHERWISE STATED



PIN ARRANGEMENT B-CODING  
 4-2172082-2



TECHNICAL DATA		4-2172082-2
RATED VOLTAGE		125V
RATED IMPULSE VOLTAGE		1500V
POLLUTION DEGREE		3
OVERVOLTAGE CATEGORY		II
MATERIAL GROUP		II
RATED CURRENT		4A
VOLUME RESISTIVITY		≤ 3mΩ
DEGREE OF PROTECTION		IP67
UPPER TEMPERATURE		+85 °C
LOWER TEMPERATURE		+40 °C



SIZE ISO 14405 (E)

DIESE ZEICHNUNG IST EIN KONTROLLIERTES DOKUMENT. BEMASSUNGEN UND TOLERANZEN GEMAESS GPS (ISO STANDARDS).

THIS DRAWING IS A CONTROLLED DOCUMENT. DIMENSIONING AND TOLERANCING PER GPS (ISO STANDARDS).

DIMENSIONS: MASSEINHEITEN: (MM)	TOLERANCES UNLESS OTHERWISE SPECIFIED: ALLGEMEINTOLERANZEN
0 PLC	±
1 PLC	±
2 PLC	±
3 PLC	±
4 PLC	±
ANGLES/WINKEL	±
FINISH/OBERFLÄCHE/FARBE	

MATERIAL	-
	-

DWN	YASHKUMAR	12SEP2014
CHK	M. BRUBAKER	12SEP2014
APVD	M. BRUBAKER	12SEP2014
PRODUCT SPEC	108-19483	
APPLICATION SPEC	114-32127	
WEIGHT GEWICHT	-	
Customer Drawing	/KUNDENZEICHNUNG	

⚠	5	4-2172082-2
MATERIAL	NUMBER OF POLES	TE-PART-NO.
<b>STE</b> TE Connectivity		
NAME M12 MALE CONNECTOR, PCB ASSEMBLY, ANGLED, UNSHIELDED, B-CODED		
SIZE	CAGE CODE	DRAWING NO. ZEICHNUNGS-NR.
A2	00779	G-2172082
RESTRICTED TO NUR FÜR		
	SCALE MASSSTAB	SHEET BLATT
	4:1	1 OF 1
REV		A