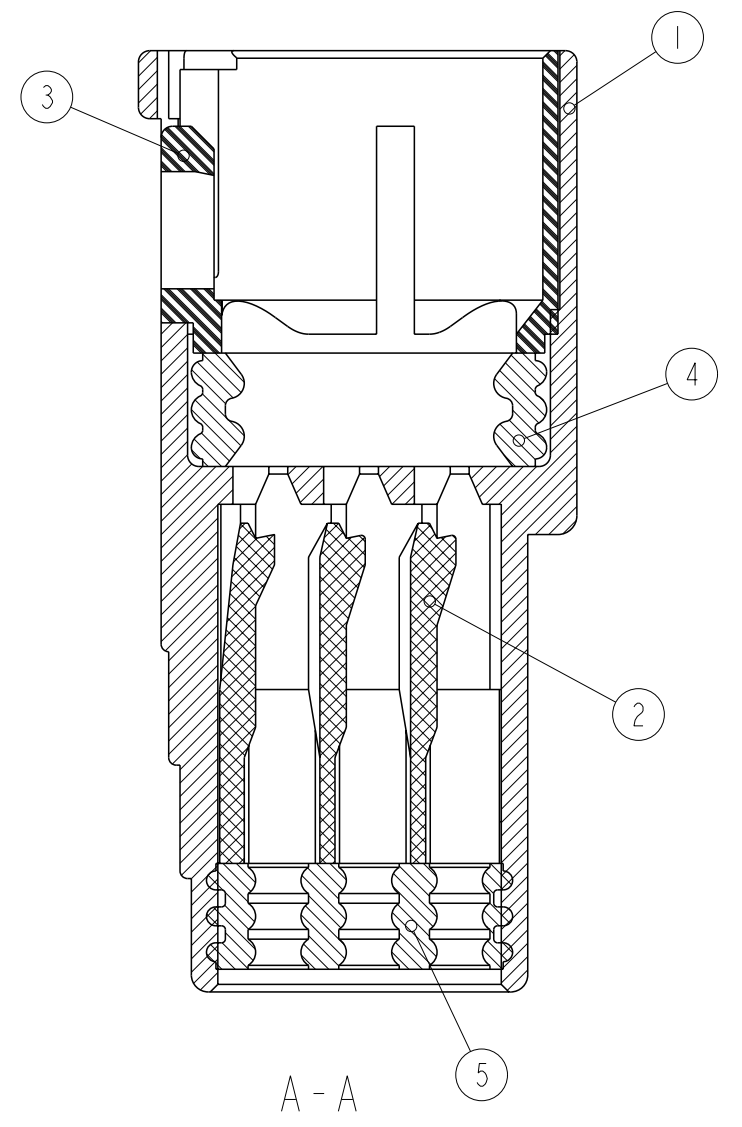
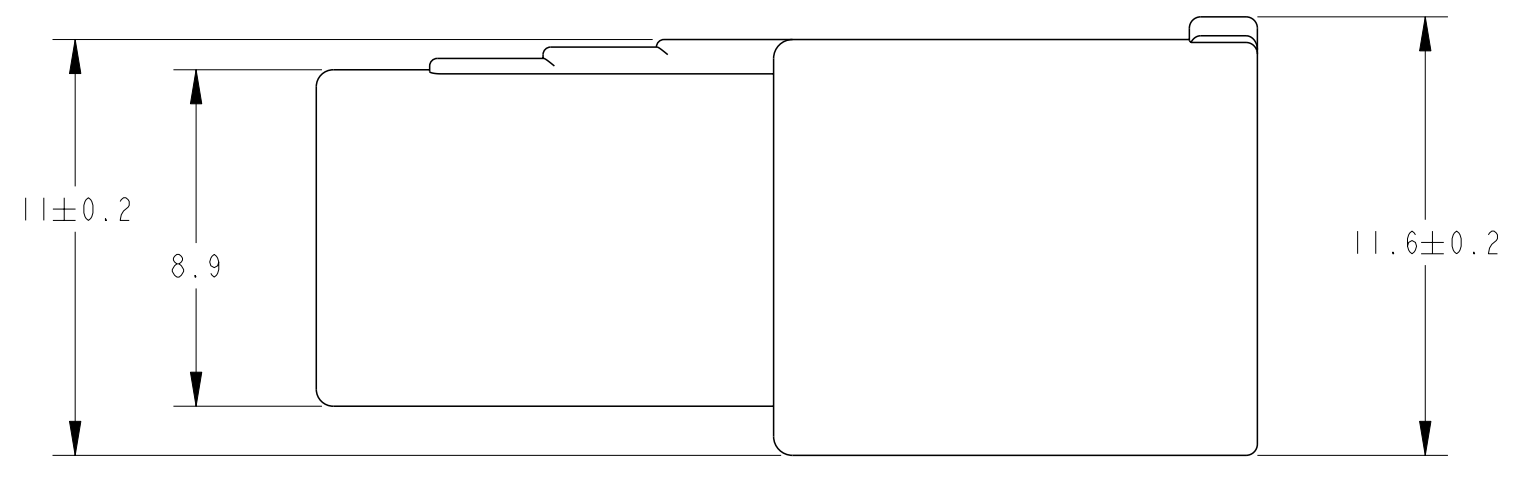
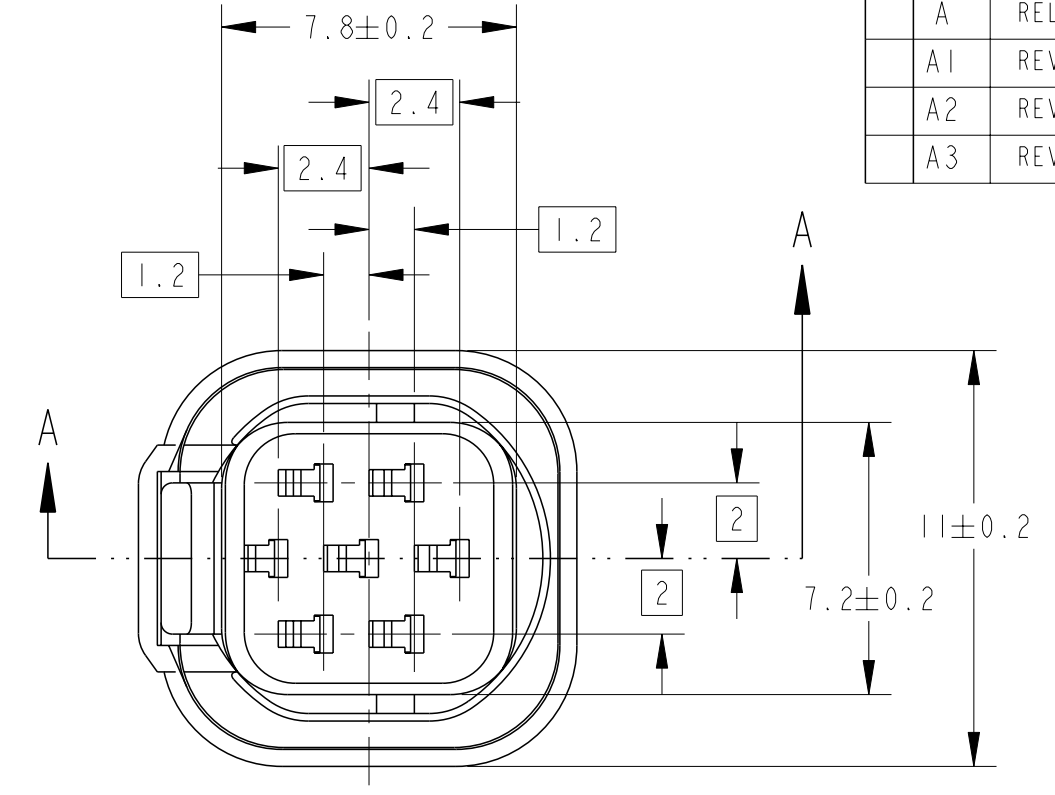
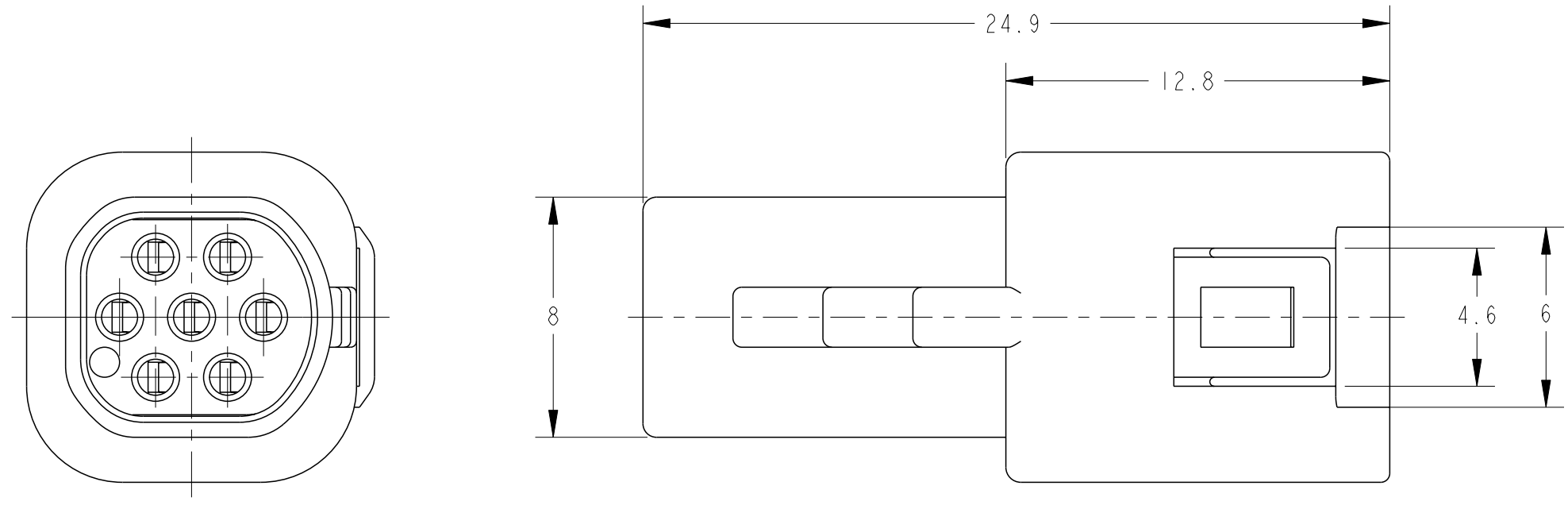


THIS DRAWING IS UNPUBLISHED. RELEASED FOR PUBLICATION FEB. 2019
 © COPYRIGHT 2019 Tyco Electronics Japan G.K. ALL RIGHTS RESERVED.

LOC		DIST		REVISIONS				
J		-		変更		DATE	DWN	APVD
P	LTR	DESCRIPTION		DATE	DWN	APVD		
A		RELEASED		09JUN14	DM	TK		
A1		REVISED ECR-14-016391		06NOV14	DM	TK		
A2		REVISED ECR-18-017793		18FEB19	DM	HK		
A3		REVISED ECR-19-006693		15AUG2019	DM	HK		



- 1. THE MATING PLUG HSG P/N 2822343
- 2. APPLIED CONTACT P/N 917309
- 3. APPLICABLE PRODUCT SPEC. No. 108-5426
- 4. INSTRUCTION SHEET: 412-5653
- 5. SEAL RUBBER IS NON-BIS TYPE
- 6. APPLIED CAVITY PLUG: 316390-7

- 1. 嵌合相手ハウジング型番: 2822343
- 2. 内装するタブコンタクト型番: 917309
- 3. 適用製品規格番号: 108-5426-1
- 4. 取扱説明書: 412-5653-1
- 5. シールラバーはフタル酸フリー品である。
- 6. 内装するキャビティプラグ型番: 316390-7

-	-	-	-	-	7POSITION CAP HOUSING (YELLOW)	1
-	-	-	-	-	7POSITION CAP HOUSING (GRAY)	1
-	-	-	-	-	7POSITION CAP HOUSING (BLACK)	1
-	-	-	-	-	7POSITION CAP HOUSING (NATURAL)	1
-	-	-	-	-	SEAL RUBBER (BLACK)	5
-	-	-	-	-	SEAL RING (LIGHT GRAY)	4
-	-	-	-	-	SEAL RING HOLDER (GREEN)	3
-	-	-	-	-	7POSITION HOUSING LANCE (GREEN)	2
-	-	-	-	-	7POSITION CAP HOUSING (GREEN)	1
2822344-5	2822344-4	2822344-3	2822344-2	2822344-1	NAME & COLOR	ITEM NO.

TOLERANCE UNLESS OTHERWISE SPECIFIED:	
10±	±0.2
30±	>10 ±0.25
100±	>30 ±0.3
ANGLE	±0.3°

THIS DRAWING IS A CONTROLLED DOCUMENT.

DIMENSIONS: 単位: ㎜

TOLERANCES UNLESS OTHERWISE SPECIFIED:

0 PLC	±0.1
1 PLC	±0.1
2 PLC	±0.01
3 PLC	±0.001
4 PLC	±0.0001
ANGLES	±1°00'

MATERIAL: PBT G

FINISH: 仕上

SEE TABLE

DWN: D. MATSUURA 09 JUN 2014
 CHK: T. KOHNO 09 JUN 2014
 APVD: T. KOHNO 09 JUN 2014

PRODUCT SPEC: 108-5426

APPLICATION SPEC: 取付適用規格

WEIGHT: -

CUSTOMER DRAWING

SCALE: 5:1

SHEET 1 OF 1

REV A3

STE TE Connectivity

7POSITION CAP HOUSING MINI MULTILOCK CONNECTOR

SIZE: A2 CAGE CODE: 00779 DRAWING NO: C-2822344 RESTRICTED TO: -