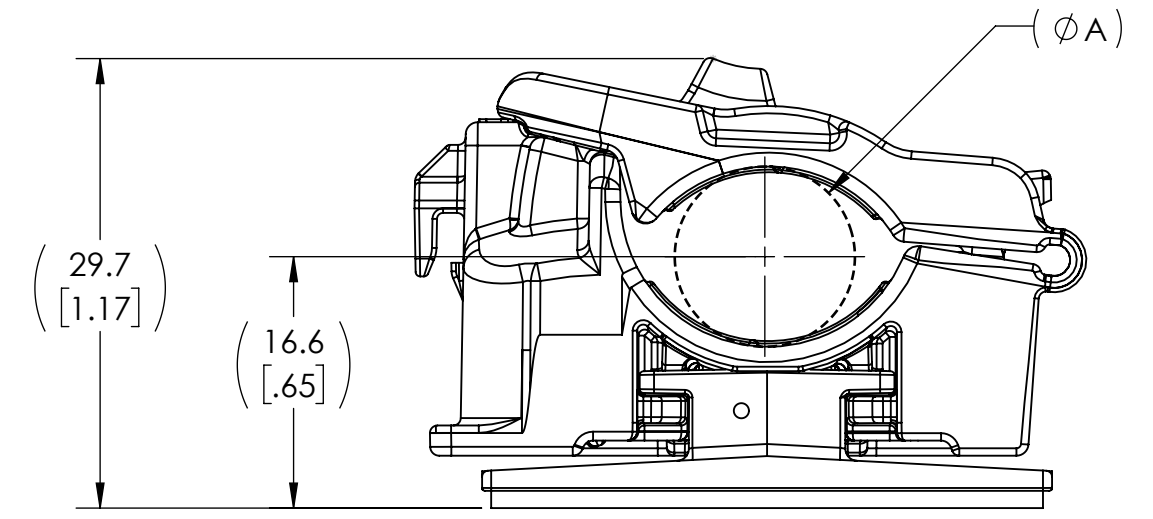
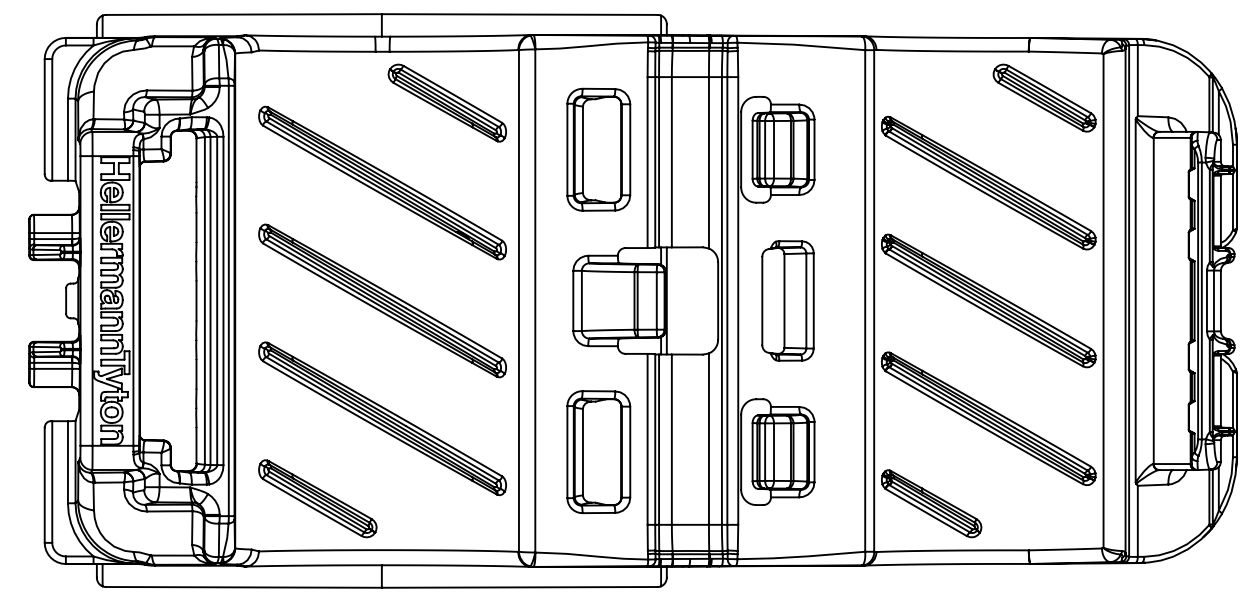
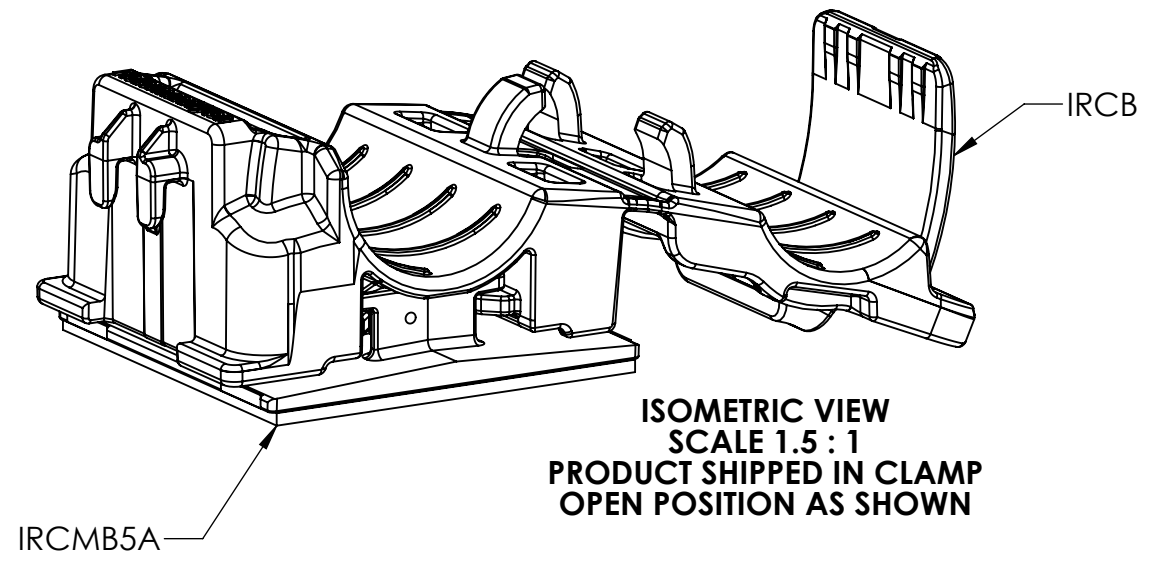
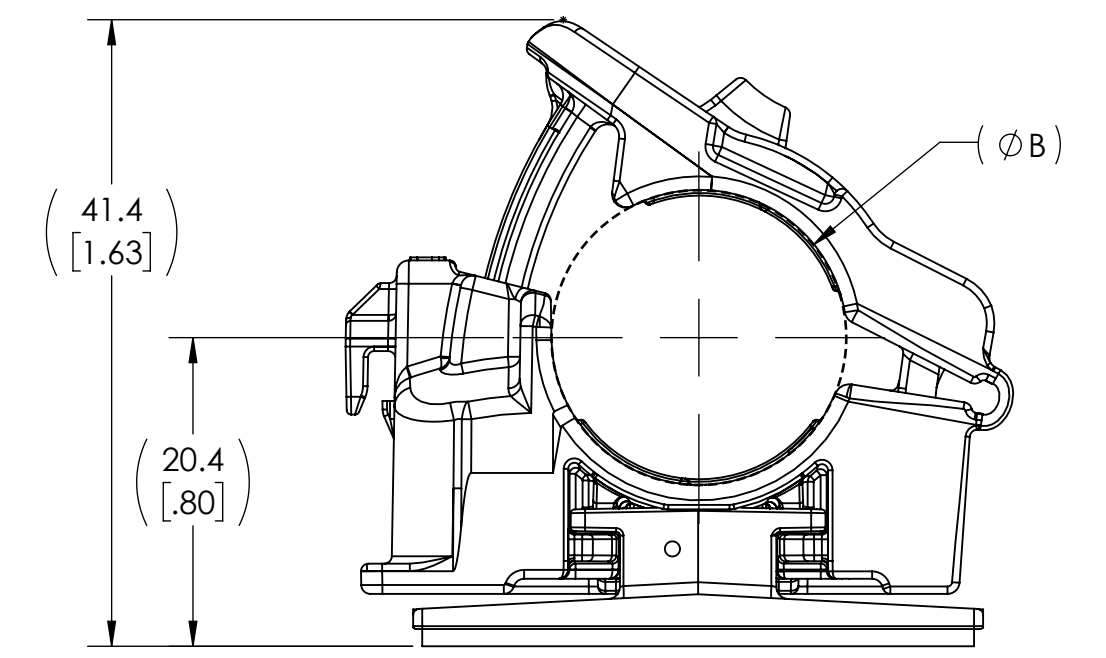
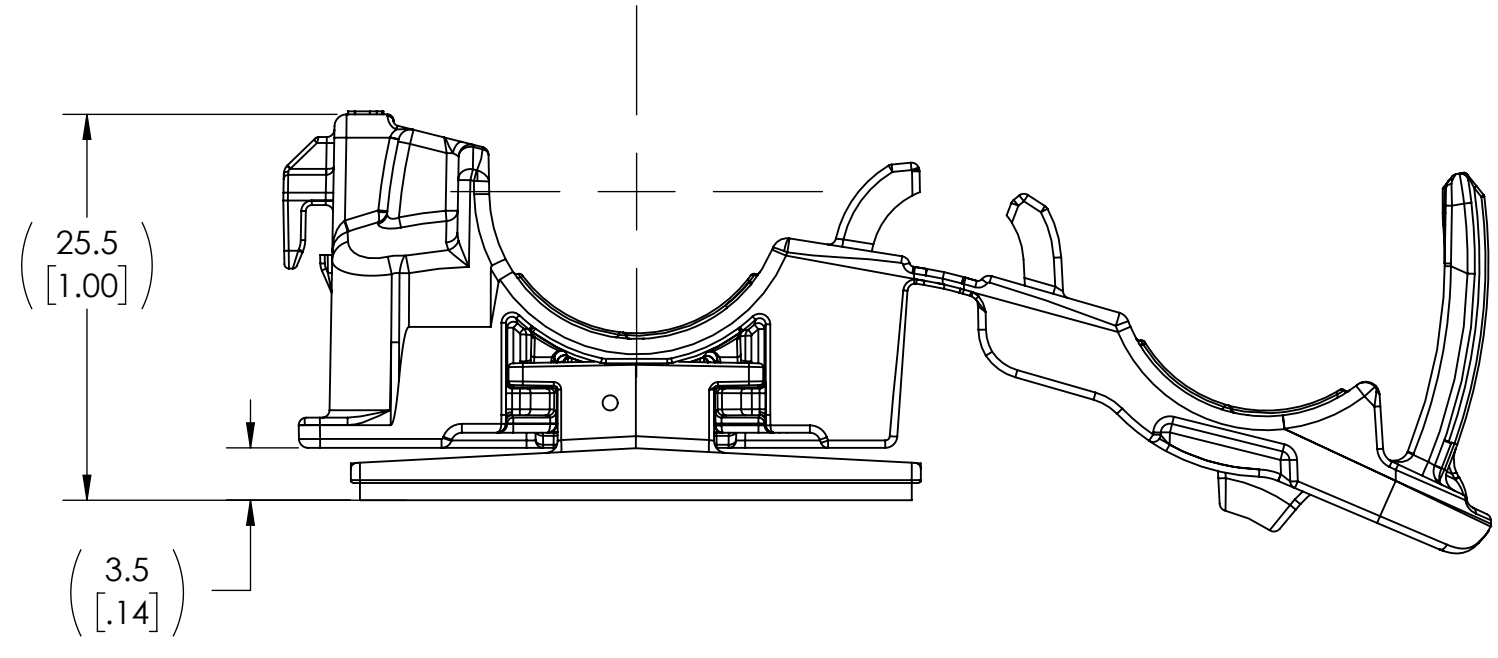
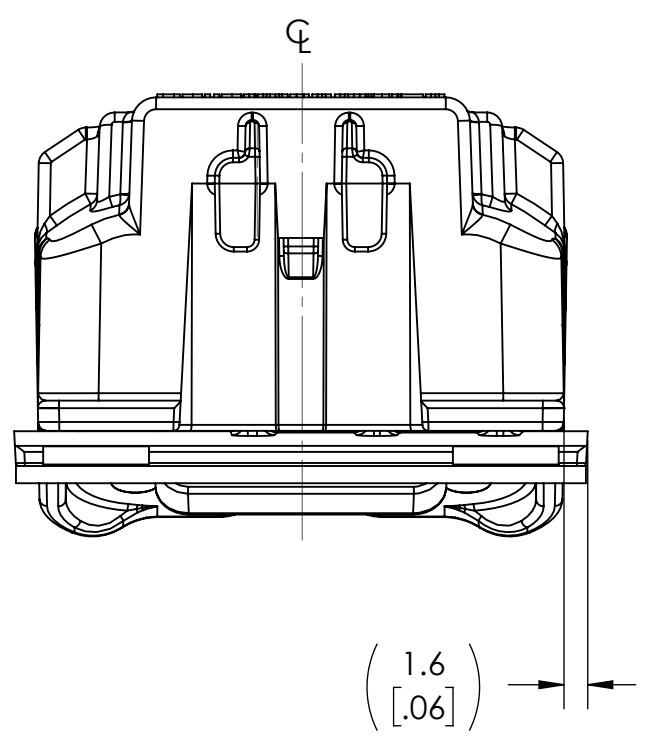


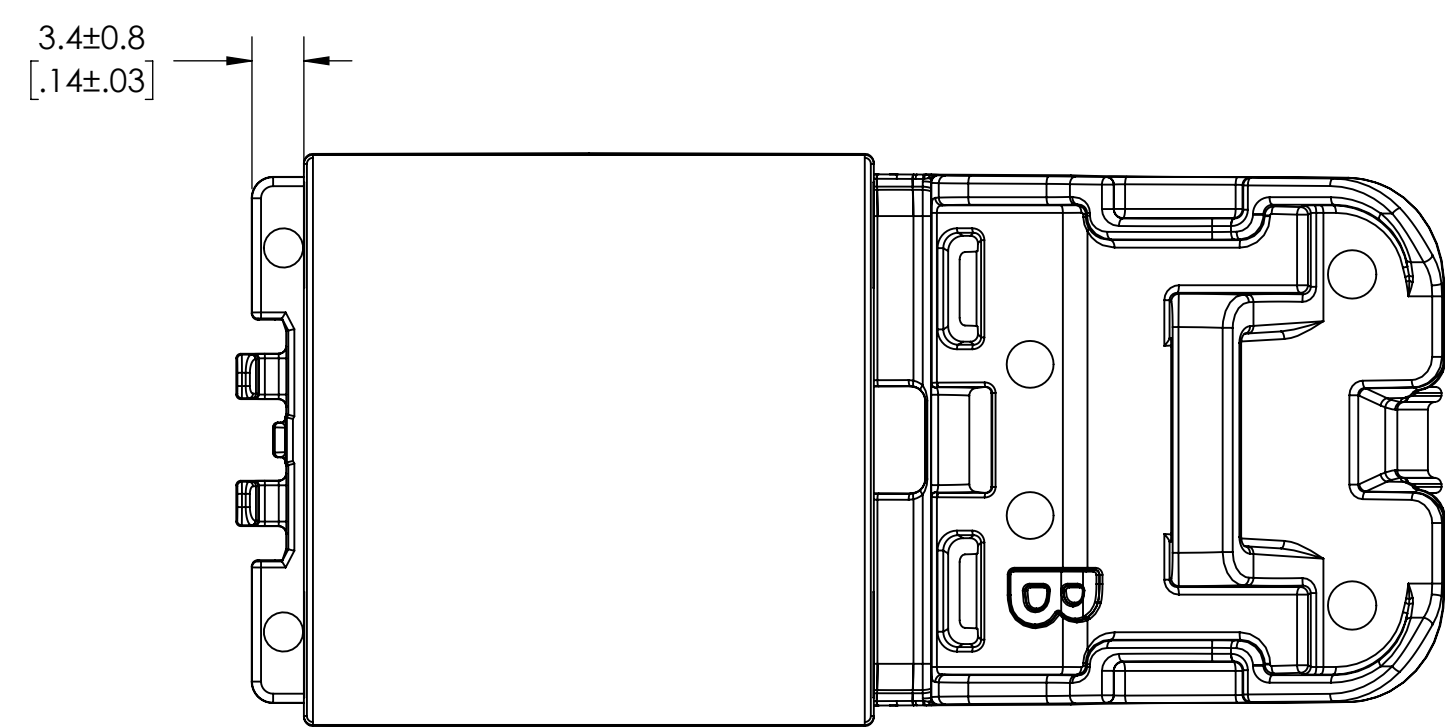
Revision level			Revision Record	Changed	Date	Approved	Date
Drawing	State	Part					
01.1	Design Release		SEE ECN# 015255	MHT	07/01/2019	CTF	07/01/2019



**MINIMUM BUNDLE DIAMETER**



**MAXIMUM BUNDLE DIAMETER**



**REFERENCE:**

URAD5PX5011E ACRYLIC FOAM TAPE

GLOBAL PART DESCRIPTION	BUNDLE TYPES	(A) MINIMUM DIAMETER	(B) MAXIMUM DIAMETER	IRCB CLAMP			IRCMB5A CONNECTOR CLIP		
				DRAWING	MATERIAL	COLOR	DRAWING	MATERIAL	COLOR
IRCBMB5A-PA66HIRHSUV-BK	SOFT	12.7 [.50]	19.5 [.77]	16-1640-002-CSU	PA66HIRHSUV	BLACK	16-1645-023-CSU	PA66HIRHSUV	BLACK
	HARD	11.9 [.47]	18.7 [.74]						

Notes	Material	Units: millimeters	The copyright of this drawing is reserved by HellermannTyton. It is issued on condition that it is not reproduced, copied, or disclosed to a third party, either wholly or in part, without the consent of HellermannTyton.	Drawn	MHT	06/24/2019	Article/Type-No	IRCBMB5A		Scale	2:1	
	SEE CHART	Dimension without tolerances details to: .xxx = ±.013 .xx = ±.13 .x = ±.3 None = ±.8 < = ±0.5* Dimension Formatted mm/(in)		Approved	CTF	06/24/2019	Title	INLINE RATCHET P-CLAMP B WITH 38x38mm ADHESIVE MOUNT		Project Number	PRP19-0328	
				HellermannTyton North America Email: corp@htamericas.com Web: www.hellermann.tyton.com			Drawing-No	19-0328-102-CSU		Production : Phase	Format	C
											Sheet	1/1