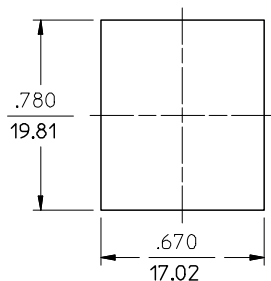
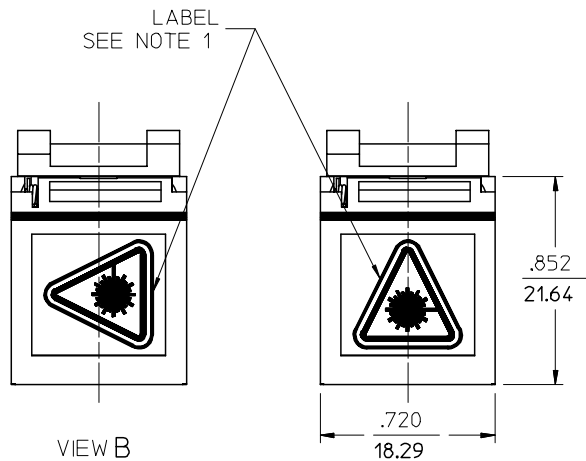
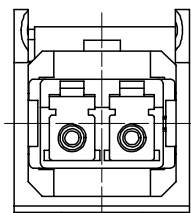


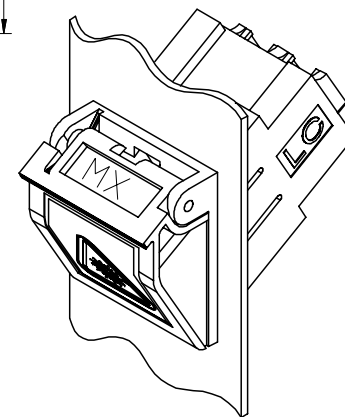
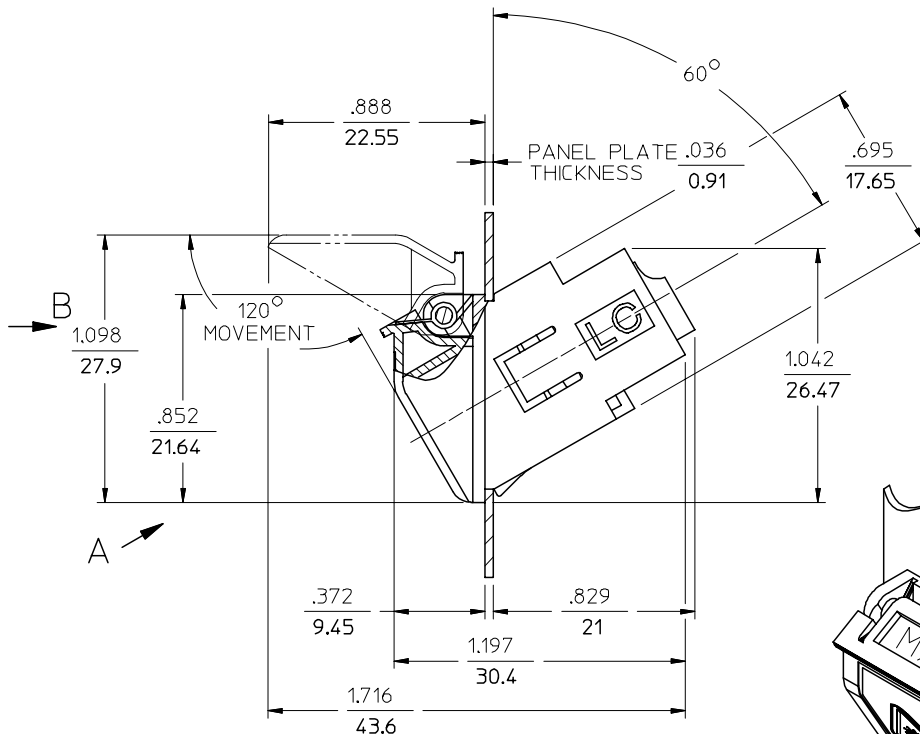
KIT P/N	ADAPTER COLOR	SLEEVE MATERIAL	BEZEL COLOR	DOOR COLOR
106004-3278	BLUE	ZIRCONIA	WHITE	BLACK
106004-3279	BEIGE	PHOSPHOR BRONZE		



RECOMMENDED MOUNTING HOLE



VIEW A
DOOR REMOVED
ROTATED 30° CW



ISOMETRIC VIEW

NOTES:
2. LABEL TO BE INSTALLED BY CUSTOMER.

ENTER DESCRIPTION EC NO: MF2006-0262 DRWN:RPACIFICI 2005/12/01 CHKD: 2005/12/01 APPR:IGUMIN 2005/12/01 REV A	QUALITY SYMBOLS 	GENERAL TOLERANCES (UNLESS SPECIFIED) <table border="1"> <tr> <td></td> <td>mm</td> <td>INCH</td> </tr> <tr> <td>4 PLACES</td> <td>± .005</td> <td>± .0005</td> </tr> <tr> <td>3 PLACES</td> <td>± .004</td> <td>± .0004</td> </tr> <tr> <td>2 PLACES</td> <td>± .003</td> <td>± .0003</td> </tr> <tr> <td>1 PLACE</td> <td>± .002</td> <td>± .0002</td> </tr> </table>		mm	INCH	4 PLACES	± .005	± .0005	3 PLACES	± .004	± .0004	2 PLACES	± .003	± .0003	1 PLACE	± .002	± .0002	DIMENSION STYLE IN/MM DRAWN BY: RPACIFICI DATE: 2005/10/20 CHECKED BY: _____ DATE: _____ APPROVED BY: _____ DATE: _____	SCALE 2:1 DESIGN UNITS INCH THIRD ANGLE PROJECTION	TITLE LC BEZEL WITH PUSH TAB ADAPTER KITS
		mm	INCH																	
	4 PLACES	± .005	± .0005																	
	3 PLACES	± .004	± .0004																	
2 PLACES	± .003	± .0003																		
1 PLACE	± .002	± .0002																		
DRAFT WHERE APPLICABLE MUST REMAIN WITHIN DIMENSIONS	MATERIAL NO. SEE TABLE	DOCUMENT NO. SD-106004-327X	SHEET NO. 1 OF 01																	
THIS DRAWING CONTAINS INFORMATION THAT IS PROPRIETARY TO MOLEX INCORPORATED AND SHOULD NOT BE USED WITHOUT WRITTEN PERMISSION		MOLEX INCORPORATED																		