

VERTICAL HOUSING ASSEMBLY PRODUCT NUMBER
10121382 - X PP SS C M LF

MOUNTING FEATURES
S = SCREW MOUNT

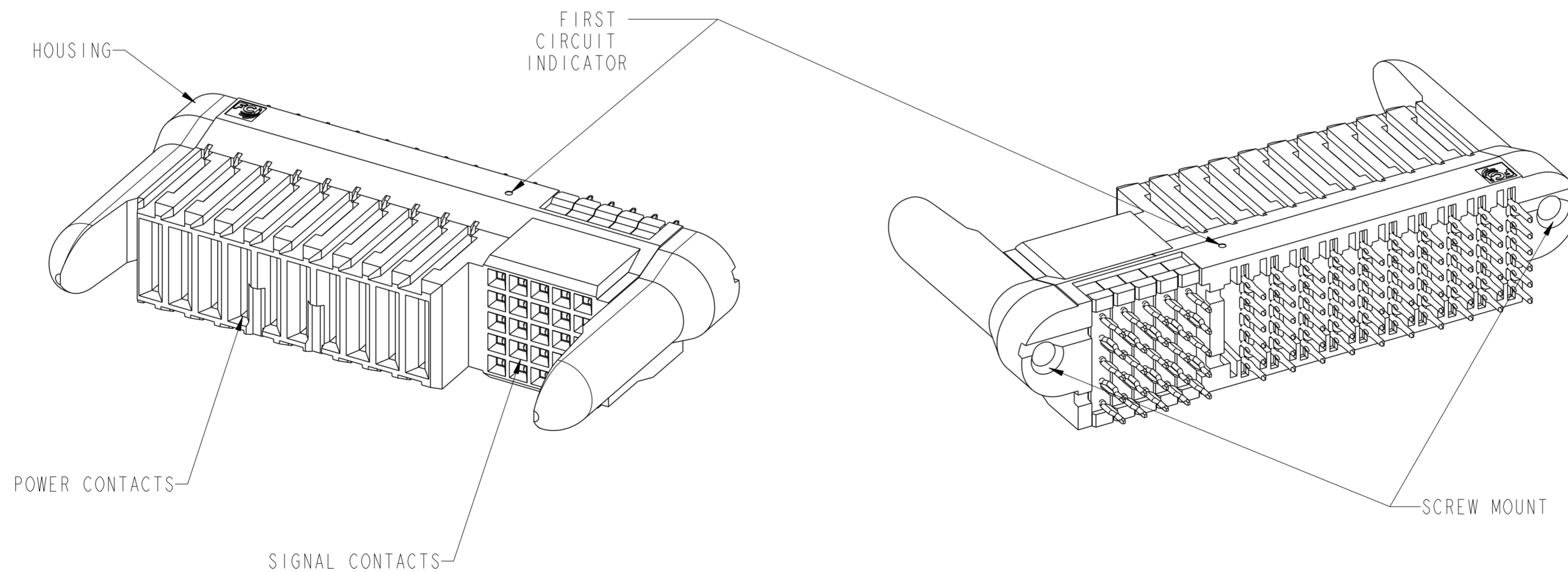
CENTER LINE DISTANCE BETWEEN POWER AND SIGNAL POSITIONS AT MATING INTERFACE:
3 = 4.375

NUMBER OF SIGNAL CONTACTS
00 OR 10 TO 40 IN INCREMENTS OF 5

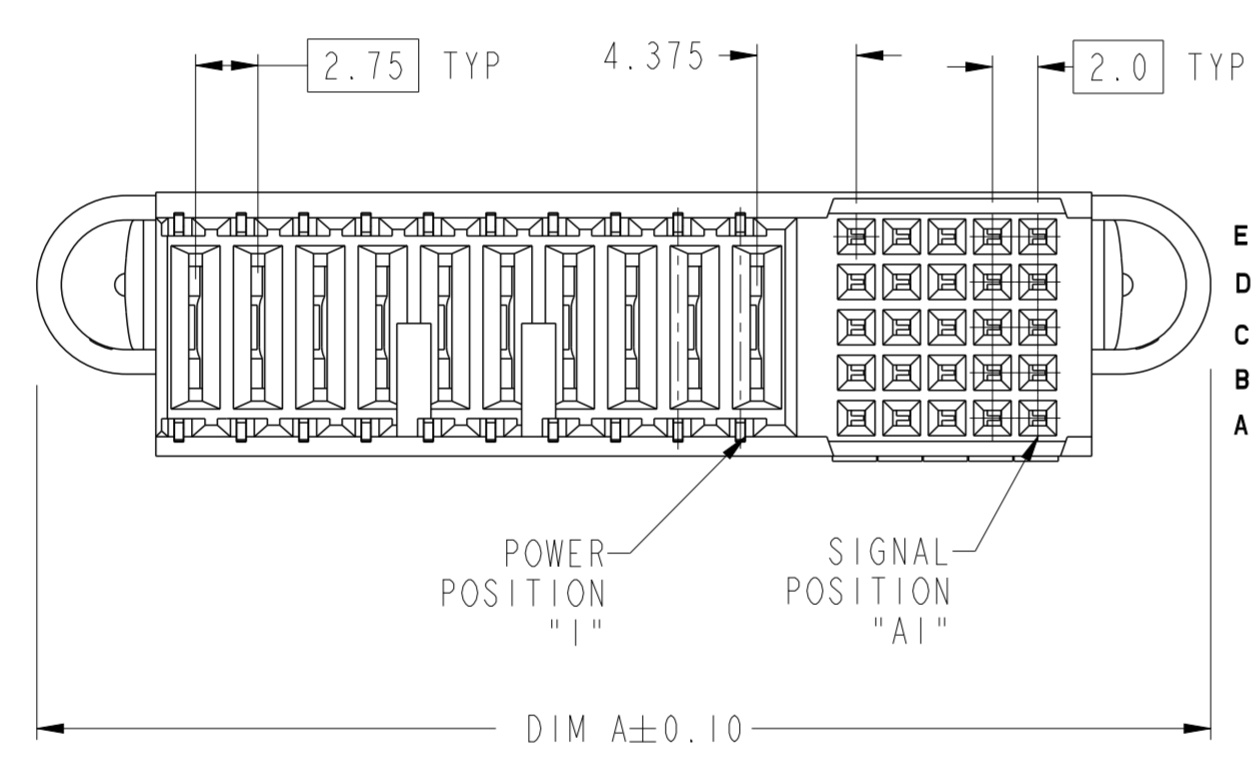
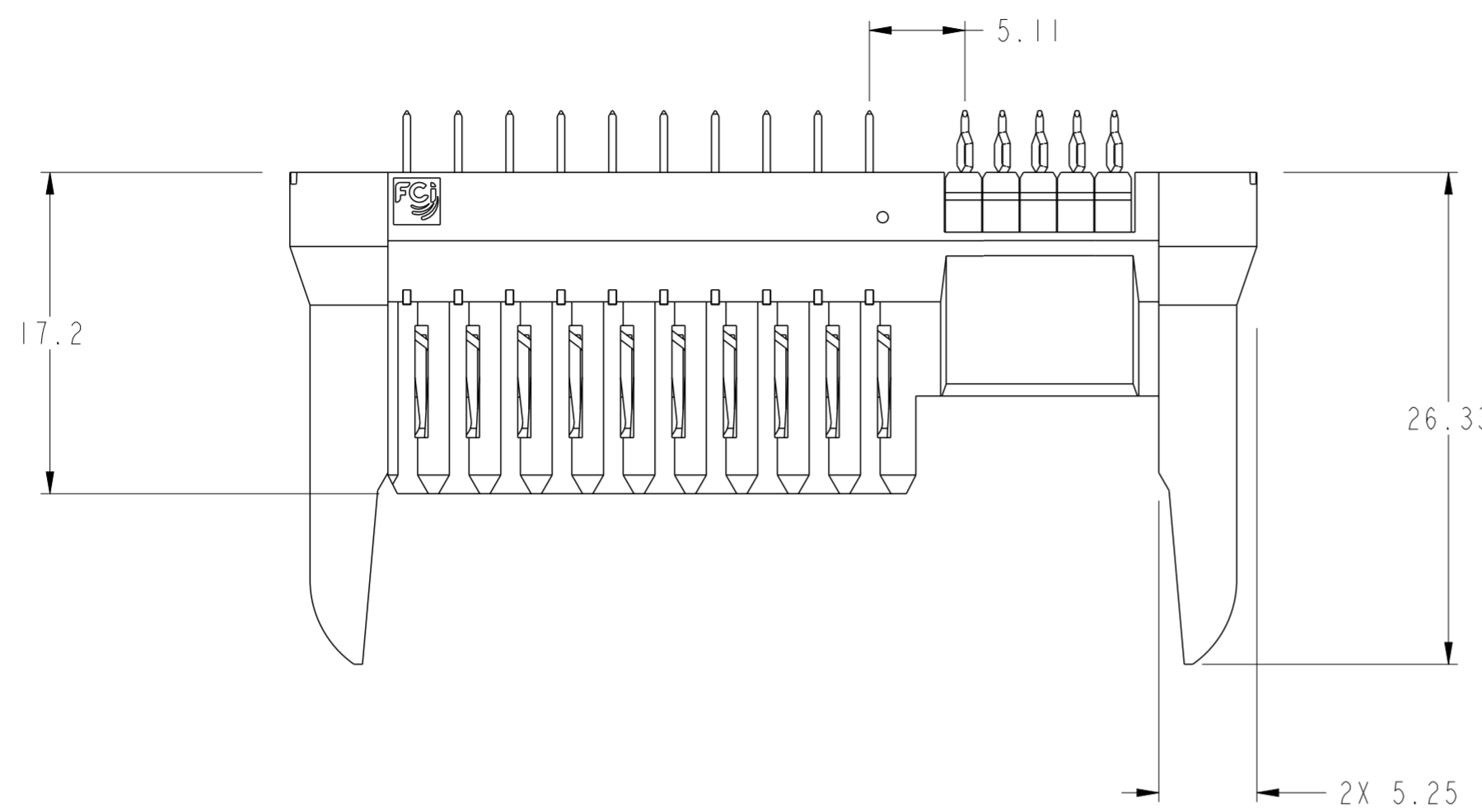
TOTAL NUMBER OF POWER CONTACTS. IF STYLE S, THEY WILL BE DIVIDED EQUALLY WITH HALF ON THE LEFT AND HALF ON THE RIGHT SIDES OF THE SIGNAL GROUP.
04 TO 24 IN EVEN NUMBER INCREMENTS. IF STYLE P, THE RANGE IS 06 TO 30.

STYLE
P = POWER ONLY-NO SIGNAL
L = SIGNAL ON THE LEFT, POWER ON THE RIGHT
R = POWER ON THE LEFT, SIGNAL ON THE RIGHT - SEE SHEET 2
S = POWER ON THE LEFT, SIGNAL IN THE CENTER, POWER ON THE RIGHT

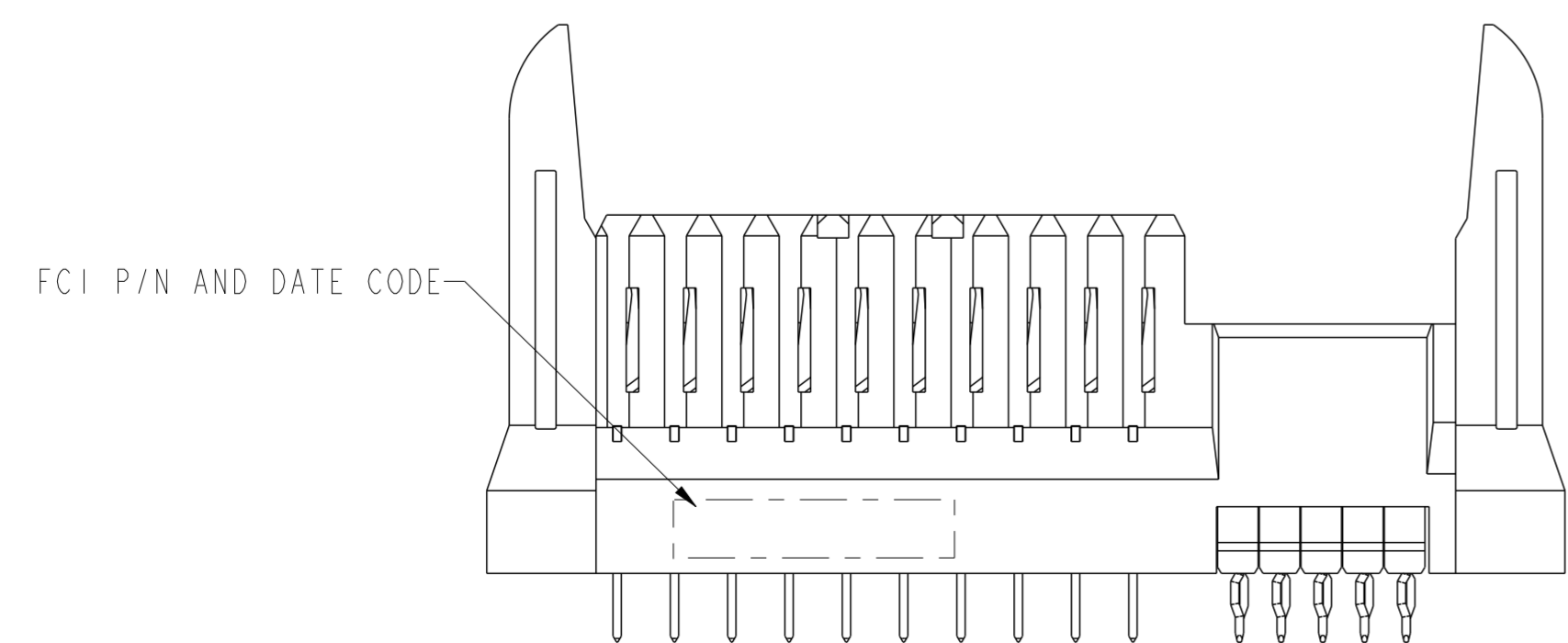
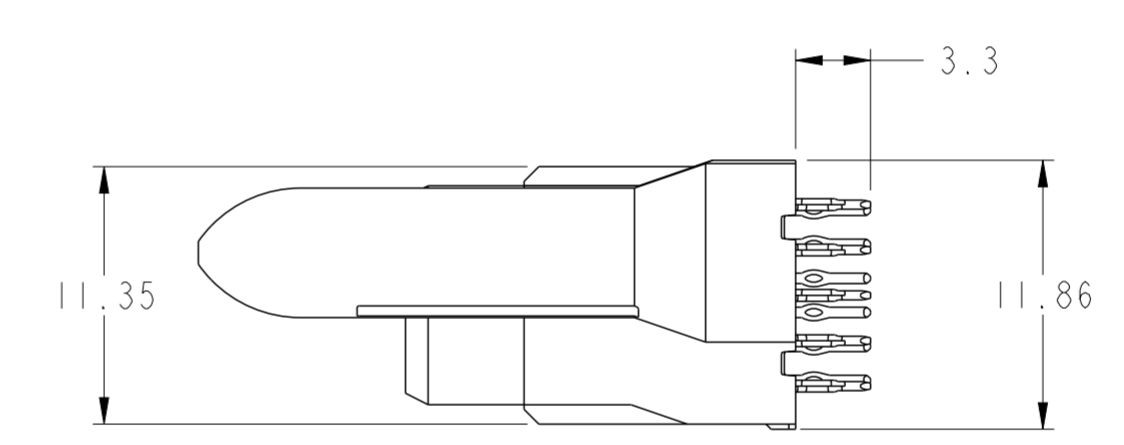
EXAMPLE:
10121382-R10253SLF IS A VERTICAL HOUSING ASSEMBLY WITH 5 COLUMNS (25 TOTAL) OF SIGNAL PINS ON THE RIGHT SIDE AND 10 POWER CONTACTS ON THE LEFT SIDE, WITH A 4.375 DISTANCE BETWEEN THE SIGNAL AND THE POWER CONTACTS AND WITH SCREW MOUNT ENDS.



spec ref	SEE NOTES	dr	Zhang Hong-Tu	2012/07/03	projection	MM	size	A2	scale	3:1									
tolerance std	TOLERANCES UNLESS OTHERWISE SPECIFIED	eng	Eddy Zeng	2014/06/05			ecn no	ELX-DG-17789-1	rel level	Released									
ASME Y14.5		chr	Li-He	2014/06/09															
		appr	Pei-Ming Zheng	2014/06/09															
surface	<table border="1"> <tr> <td>linear</td> <td>0.X</td> <td>±0.30</td> </tr> <tr> <td></td> <td>0.XX</td> <td>±0.20</td> </tr> <tr> <td></td> <td>0.XXX</td> <td>±0.10</td> </tr> <tr> <td>angular</td> <td>0°</td> <td>±2°</td> </tr> </table>	linear	0.X	±0.30		0.XX	±0.20		0.XXX	±0.10	angular	0°	±2°			product family	PwrLoPro	rel level	Released
linear	0.X	±0.30																	
	0.XX	±0.20																	
	0.XXX	±0.10																	
angular	0°	±2°																	
ASME Y14.5		www.fci.com	cat. no.		title	PWR LP RECEPTACLE ASSEMBLY VERTICAL, PASSIVE GUIDE	dwg no	10121382	rev	G									
					Product - Customer Drw		sheet 1 of 3												



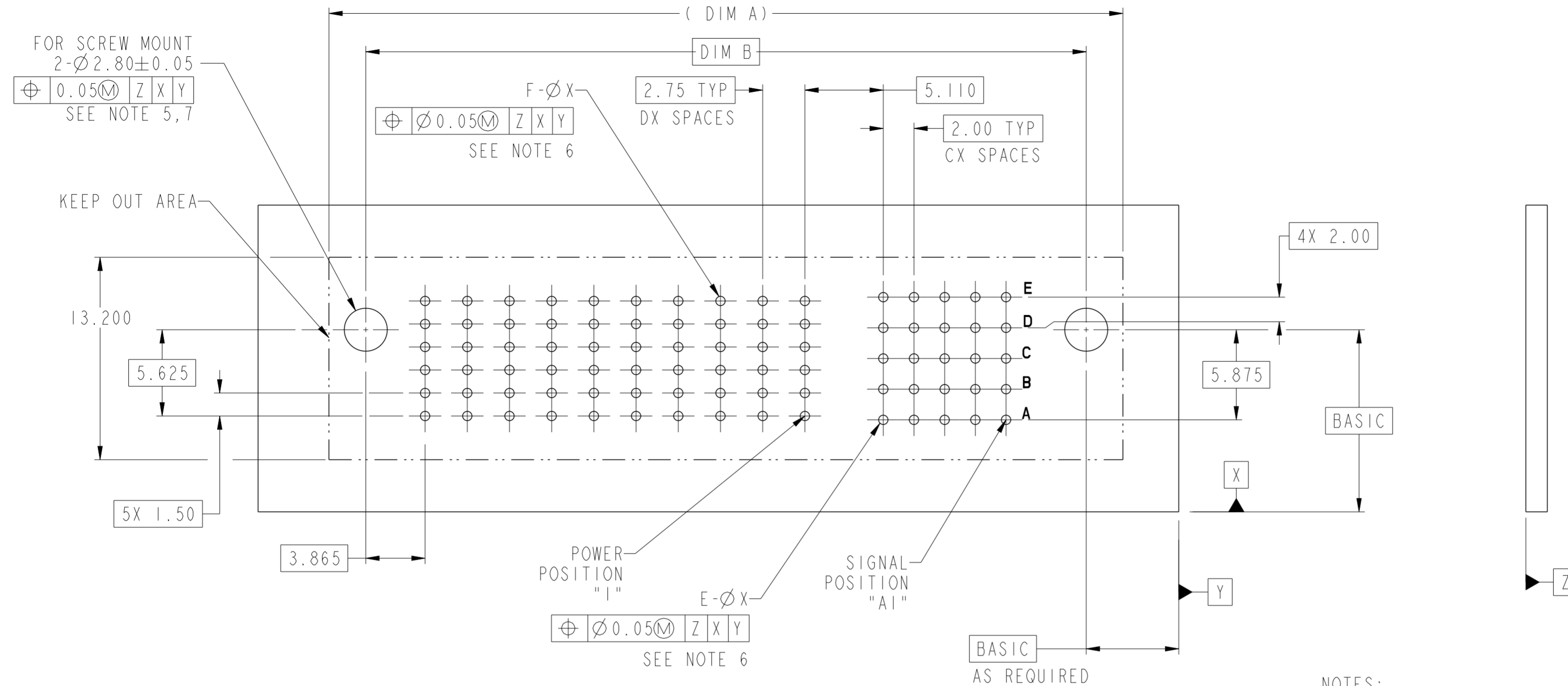
PART NUMBER	CONFIGURATION	DIM "A"	DIM "B"	"C" SPACES	"D" SPACES	"E" QTY.	"F" QTY.
10121382-R10253SLF	10P + 25S	51.74	46.95	4	9	25	60
10121382-R18353SLF	18P + 35S	77.74	72.95	6	17	35	108
10121382-R08203SLF	08P + 20S	44.24	39.45	3	7	20	48
10121382-R02153SLF	02P + 15S	25.74	20.95	2	1	15	12
10121382-R20353SLF	20P + 35S	83.24	78.45	6	19	35	120
10121382-R02253SLF	02P+25S	29.74	24.95	4	1	25	12



10121382-R1025SLF AS SHOWN

spec ref	SEE NOTES	dr	Zhang Hong-Tu	2012/07/03	projection	MM	size	A2	scale	3:1
tolerance std	ASME Y14.5	eng	Eddy Zeng	2014/06/05			ecn no	ELX-DG-17789-1		
surface	✓	chr	Li-He	2014/06/09			rel level	Released		
ASME Y14.5	linear	appr	Pei-Ming Zheng	2014/06/09			product family	PwrLoPro		
	angular				www.fci.com	cat. no.		Product - Customer Drw	sheet 2 of 3	

Copyright FCI. FCI



RECOMMENDED PRINTED CIRCUIT BOARD LAYOUT SEE NOTE 4
(AS VIEWED FROM COMPONENT SIDE)
SCALE 4:1

NOTES:

- HOUSING MATERIAL:GF LCP,COLOR: BLACK, UL 94 V-0 RATED
SIGNAL CONTACT MATERIAL: PHOSPHOR BRONZE
SIGNAL PIN OVERMOLD MATERIAL: GF POLYESTER
POWER CONTACT MATERIAL: COPPER ALLOY
- PLATING ON SIGNAL CONTACTS: 1.27µm MIN Ni UNDERPLATING ALL OVER WITH 0.76µm MIN GXT IN CONTACT MATING AREA, AND 0.5µm MIN MATTE TIN ON TAIL AREA.

PLATING ON POWER CONTACTS: 1.27µm MIN Ni UNDERPLATING ALL OVER WITH 0.76µm MIN GXT IN CONTACT MATING AREA, AND 0.5µm MIN MATTE TIN ON TAIL AREA.
- LUBRICATION: LUBRICATE ON CONTACT AREA.
- RECOMMENDED PCB THICKNESS IS:
FOR PRESS FIT APPLICATION: 1.4mm MIN
FOR SOLDER APPLICATION: 1.40mm THROUGH 2.62mm.
- FOR SCREW MOUNT APPLICATIONS, A DELTA PT25 SELF TAPPING SCREW IS RECOMMENDED (SUPPLIED BY CUSTOMER).
- FOR PRESS FIT Ø0.61mm, FOR SOLDER Ø0.90mm.
- UNPLATED HOLES.
- PRODUCT SPECIFICATION GS-12-1064
APPLICATION SPECIFICATION: GS-20-0362

spec ref	SEE NOTES	dr	Zhang Hong-Tu	2012/07/03	projection	MM	size	A2	scale	3:1
tolerance std	TOLERANCES UNLESS OTHERWISE SPECIFIED	eng	Eddy Zeng	2014/06/05			ecn no	ELX-DG-17789-1	rel level	Released
ASME Y14.5		chr	Li-He	2014/06/09						
		appr	Pei-Ming Zheng	2014/06/09						
surface	linear	0.X	±0.30		product family	PwrLoPro	cat. no.	-	Product - Customer Drw	sheet 3 of 3
		0.XX	±0.20							
		0.XXX	±0.10							
ASME Y14.5	angular	0°	±2°	www.fci.com	title	PWR LP RECEPTACLE ASSEMBLY	cat. no.	-	Product - Customer Drw	sheet 3 of 3
					rel level	Blue				
					diag no	10121382				
					rev	G				