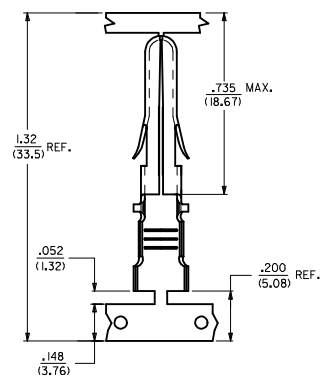
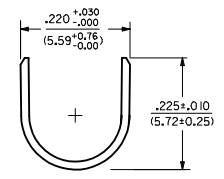
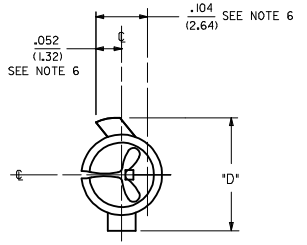
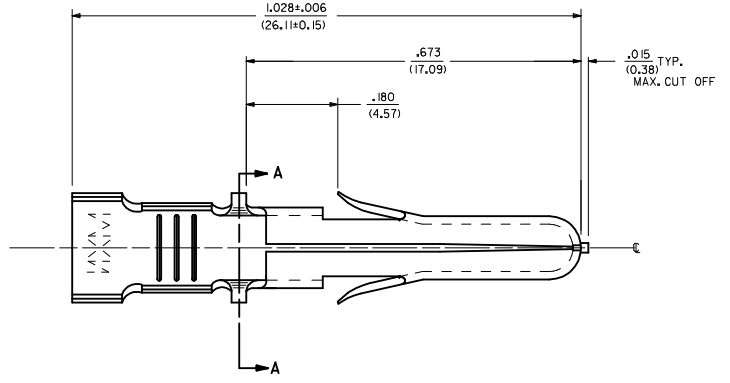


20	19	18	17	16	15	14	13	12	11	10	9	8	7	6	5	4	3	2	1	
ITEM NO.	CRIMP SIZE	MATERIAL				PLATING	PACKAGING	"D"												
42824-4001	18 AWG	.0160/(0.406) THICK BRASS				PRE-TINNED .000020/ (0.0005) MIN. TIN	SUPPLIED ON REEL	.225 (5.72)												
42824-4002	12 AWG																			

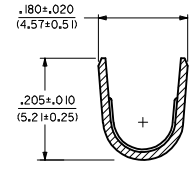


STRIP AND CARRIER LAYOUT
SCALE 4:1

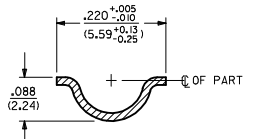
- NOTES:
1. MATERIAL: SEE CHART
 2. FINISH: SEE CHART
 3. PRODUCT SPECIFICATION: PS-40585
 4. PACKAGING SPECIFICATION: SEE CHART
 5. REELS OF THESE TERMINALS CANNOT HAVE MECHANICAL SPLICES.
 6. USING SEAM LINE AS VERTICAL CENTERLINE INDICATOR- MAXIMUM EXCURSION FROM HORIZONTAL CENTERLINE IS INDICATED FOR BOTH LOCK AND STOP TABS.
 7. THIS TERMINAL FOR USE IN HOUSING NO'S. 40585-1-5, 40585-3000, 43032-3300, 43032-3400, AND 43032-3500.
 8. TERMINALS FOR USE WITH STRANDED WIRE.
 9. PARTS CONFORM TO CLASS B REQUIREMENTS OF COSMETIC SPECIFICATION PS-45499-002.



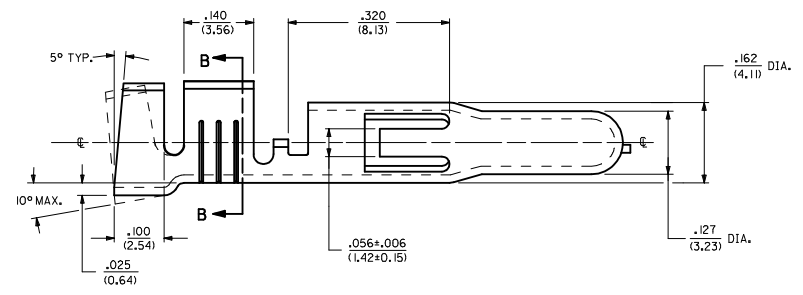
INSULATION CRIMP DETAIL



SECTION B-B

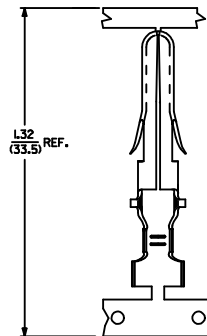
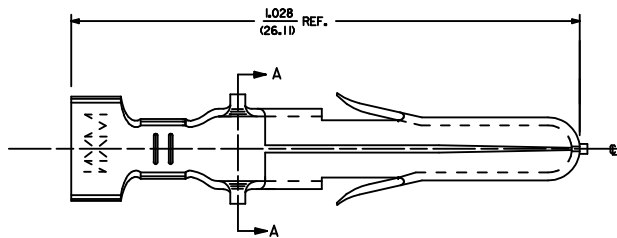


SECTION A-A

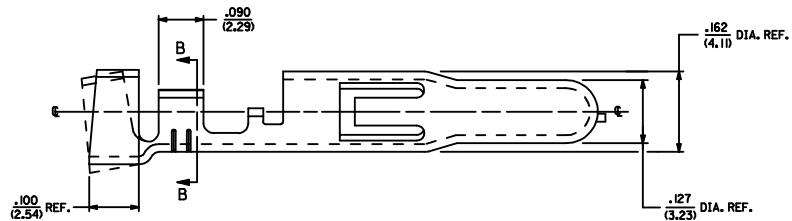


12 AWG TERMINAL SHOWN

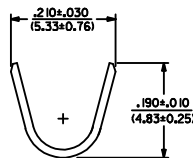
REMOVE OBSOLETE IEC NO. UC/P 2016-4886 DRAWN BY BAPPELDORN 2016/06/24 CHECKED BY CHYK/08/08/07 APPROVED BY ZAPPELDORN/11/11	QUALITY SYMBOLS	GENERAL TOLERANCES (UNLESS SPECIFIED)	DIMENSION STYLE	SCALE	DESIGN UNITS	THIRD ANGLE PROJECTION	
	▽=0	mm INCH	IN/MM	8:1	INCH		
	▽=0	4 PLACES ±.005 ±.005	DRAWN BY DATE	BAPPELDORN 2016/06/24	TITLE		TERMINAL PIN .125(3.18) DIA.
	▽=0	3 PLACES ±.013 ±.01	CHECKED BY DATE	SBB 90/03/08	MATERIAL NO.		SD-42824-40**
▽=0	1 PLACE ±.025 ±.01	APPROVED BY DATE	FSMITH 2016/07/06	SHEET NO.		1 OF 2	
	0 PLACE ±.000 ±.000	ANGULAR ±1/2°	MATERIAL NO.		DOCUMENT NO.		
		DRAFT WHERE APPLICABLE MUST REMAIN WITHIN DIMENSIONS	SEE CHART				



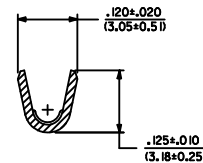
STRIP AND CARRIER LAYOUT
SCALE 4:1



18 AWG TERMINAL SHOWN



INSULATION CRIMP DETAIL



SECTION B-B

SEE SHEET 1 IEC NO: UCP2016-4886 DRAWN: BAPPELDORN 2016/06/24 CHECKED: KIPPER 2016/06/27 APPROV: FSMITH 2016/07/06	QUALITY SYMBOLS ▽=0 ▽=0 ▽=0	GENERAL TOLERANCES (UNLESS SPECIFIED) mm INCH 4 PLACES ±.005 ±.005 3 PLACES ±.013 ±.01 2 PLACES ±.025 ±.01 1 PLACE ±.025 ±.01 0 PLACE ±.025 ±.01	DIMENSION STYLE IN/MM DRAWN BY DATE BAPPELDORN 2016/06/24 CHECKED BY DATE SBB 90/03/08 APPROVED BY DATE FSMITH 2016/07/06	SCALE 8:1 DESIGN UNITS INCH THIRD ANGLE PROJECTION	TITLE TERMINAL PIN .125(3.18) DIA. molex
	MATERIAL NO. SEE CHART DRAFT WHERE APPLICABLE MUST REMAIN WITHIN DIMENSIONS	DOCUMENT NO. SD-42824-40**	SHEET NO. 2 OF 2		