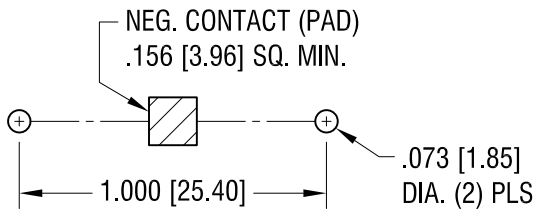
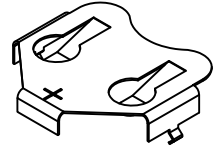
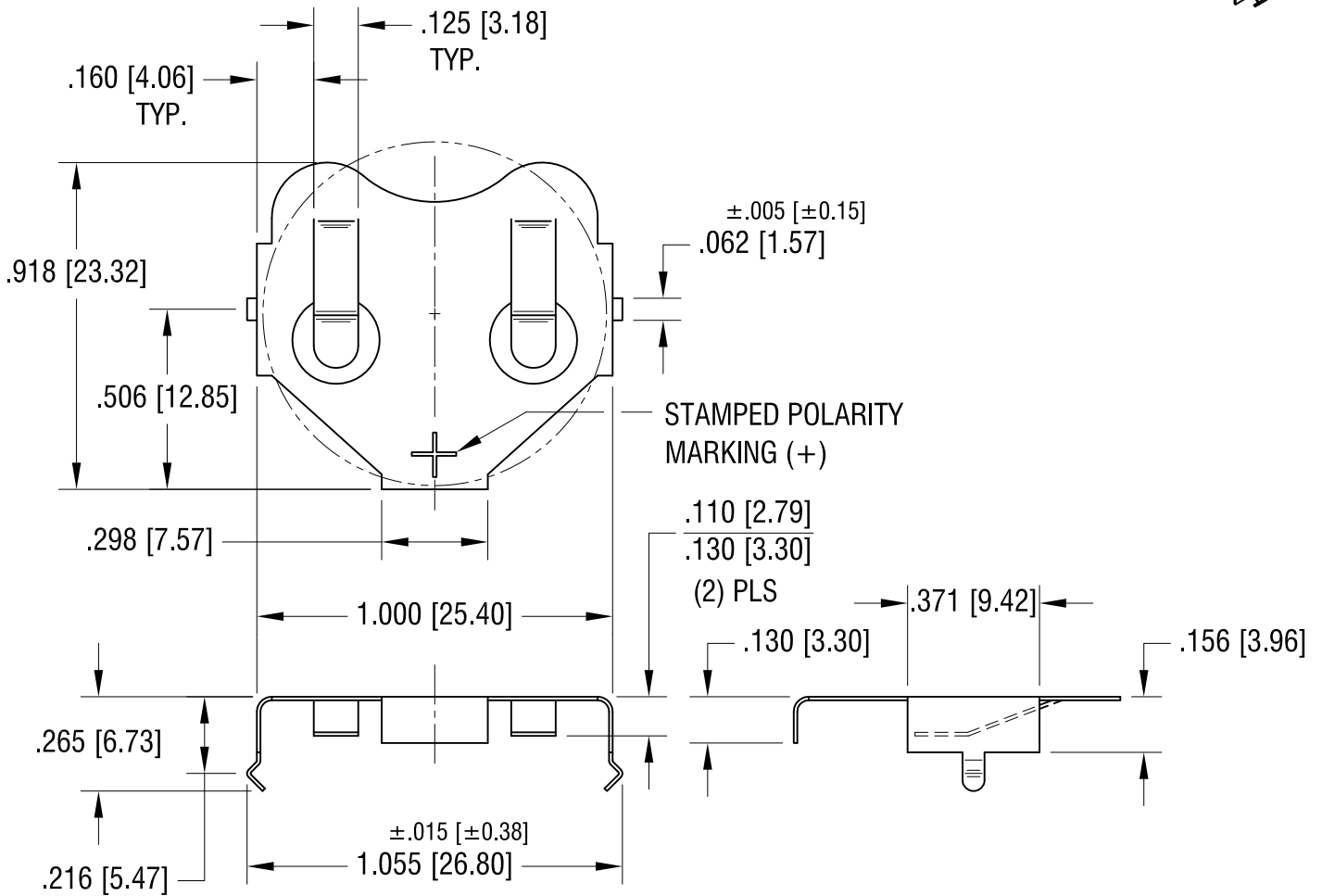


THIS DOCUMENT IS THE PROPERTY OF
KEYSTONE ELECTRONICS CORP. AND
SHALL NOT BE REPRODUCED, DISTRIBUTED
OR USED AS A BASIS FOR MANUFACTURE
WITHOUT PRIOR WRITTEN PERMISSION
FROM KEYSTONE ELECTRONICS CORP.

ACTUAL SIZE



MOUNTING DETAIL



KEYSTONE ELECTRONICS CORP.

www.keyelco.com • ASTORIA, N.Y. 11105-2017 • Tel (718) 956-8900

PART NAME
24mm PC COIN CELL CLIP

MATERIAL
.010 [0.25] TH'K PHOSPHOR BRONZE

FINISH TIN NICKEL PLATE	DRN BY BOONE	DATE 10.14.94
	APP'D LN	SCALE 2X

12.16.16	CHANGE AS PER ECN 16-103	K
1.28.08	CHANGE AS PER ECN 08-057	J
DATE	DESCRIPTION	REV.

TOLERANCES	INCH	[MM]	CODE	DWG NO.
DECIMAL	$\pm .010$	$[\pm 0.25]$	C	3007
ANGULAR	$\pm 1^\circ$			
UNLESS OTHERWISE SPECIFIED				