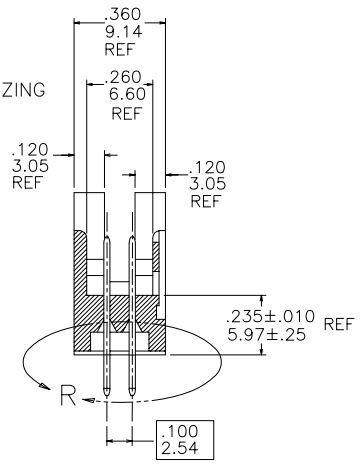
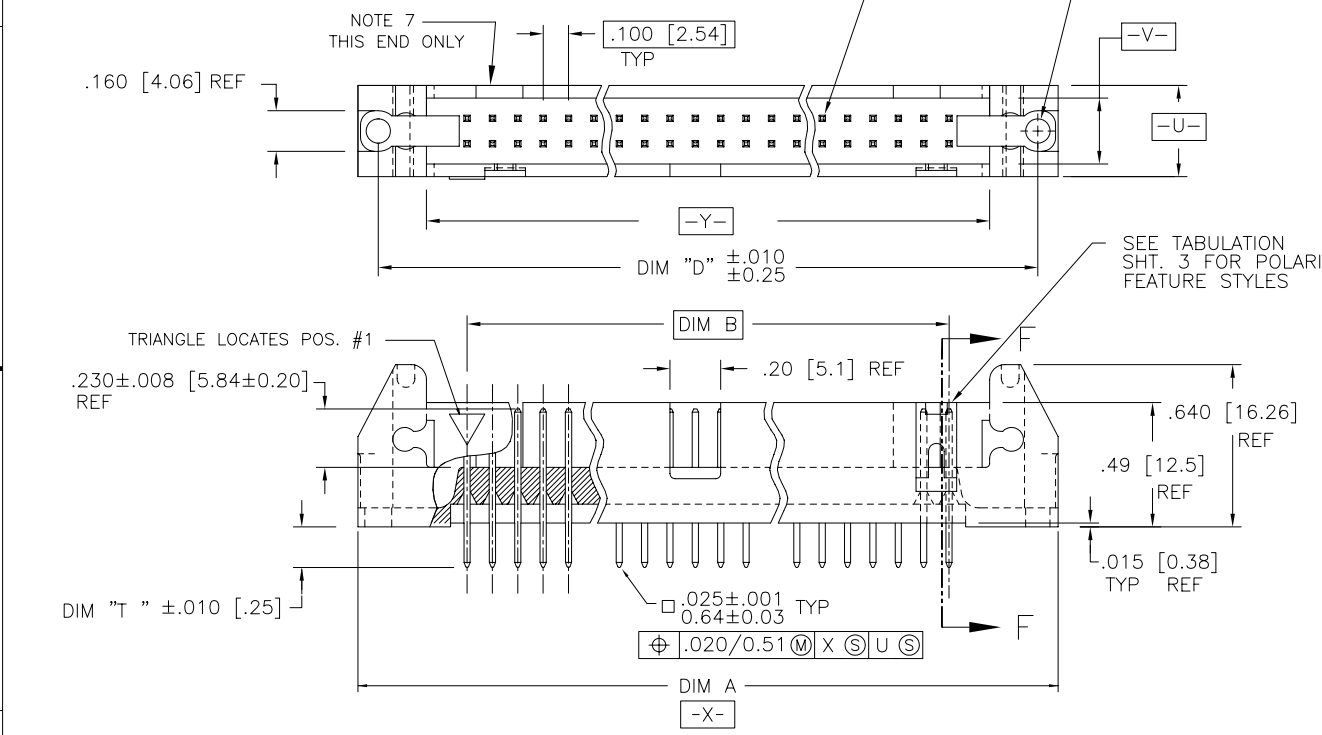


PRODUCT NO NOTE 8	HSG. COLOR	STYLE
72310-XZZT	BLACK HSG	NO LATCH
72311-XZZT	BLACK HSG	STANDARD LATCH
72312-XZZT	BLACK HSG	LO PROFILE LATCH
72320-XZZT	BLUE HSG	NO LATCH
72321-XZZT	BLUE HSG	STANDARD LATCH
72322-XZZT	BLUE HSG	LO PROFILE LATCH
72330-XZZT	GRAY HSG	NO LATCH
72331-XZZT	GRAY HSG	STANDARD LATCH
72332-XZZT	GRAY HSG	LO PROFILE LATCH
-	-	-

$\oplus .020/0.51 \text{ (M) V (S) Y (S)}$

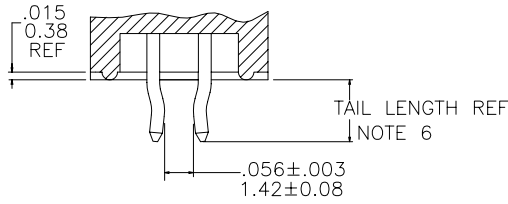
PIN
 $\square .025 \pm .001$
 0.64 ± 0.03 TYP



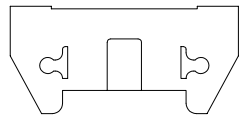
mat'l. code		surface ISO 1302 \checkmark		tolerance ISO 406 ISO 1101		projection $\left[\begin{array}{c} \oplus \\ \triangleleft \end{array} \right]$		product family HEADERS	
ltr	ecn no dr	date	tolerances unless otherwise specified			INCH/MM		title	
B	v61479 EPK	10/15/96	angles	.XX \pm .01/.3		INCH/MM		EJECT HEADER ASS'Y SEA-HORSE, 4 WALL	
C	v70787 SAR	6/2/97	linear	.XXX \pm .005/.13		scale 1.5:1		dwg no sheet 1 of 3 size	
D	v70908 SAR	6/12/97	0° \pm 2'	.xxxx \pm .0020/.051		FCJ		72310 A3	
E	c90009 EPK	2/24/99	dr	M. FETROW	8/16/96			type Product Customer Drawing	
F	v90962 EPK	4/26/99	enr	L. FYE	8/16/96				
G	M05-0089 ERE	5/20/05	chr	L. FYE	8/16/96				
H	M06-0289 AGS	7/29/06	appd	L. FYE	8/16/96				
sheet index	revision sheet	H H H	H H H						
		1 2 3							

FCJ
 FCconnect.com
 Copyright FCJ

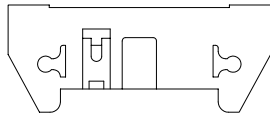
PRODUCT NUMBER
SEE TABLE



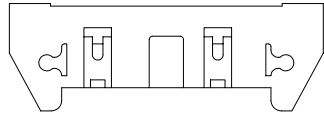
SECTION R-R
SCALE 3/1



2x5
STYLE A



2x7
STYLE C



2 X 8 & LARGER
STYLE D

NOTES:

- ①. PLASTIC MATERIAL: (SEE TABLES)
30% GLASS FILLED,
FLAME RETARDANT PER UL-94-V0
- ②. LATCH: (SEE TABLES)
STANDARD LATCH: - COLOR TO MATCH HOUSING.
(USED WITH FEMALE QUICKIE WITH STRAIN RELIEF)
LO PROFILE LATCH: - COLOR TO MATCH HOUSING.
(USED WITH FEMALE QUICKIE WITHOUT STRAIN RELIEF)
- ③. PIN MATERIAL: PHOS BRONZE.
- 4. 3 LBS/1.36 KG MIN PIN RETENTION.
- 5. PACKAGING:
* THE STANDARD METHOD OF PACKAGING IS IN TRAYS.
* "G" AT THE END OF THE PART NUMBER INDICATES
TAPE AND REEL "G-PAX".
- ⑥. PART NUMBER WITH "R" AT THE END WILL INDICATE RETENTIVE TAILS.
(ONLY TAIL LENGTH OF .120 AND .150).
FOR PRODUCT SIZES OF 2X14 AND SMALLER, THE CENTER TWO COLUMNS
OF PINS ARE TO BE KINKED; FOR PRODUCT SIZES OF 2X15 AND GREATER,
THE SECOND AND THIRD COLUMNS OF PINS IN EACH END ARE TO BE KINKED.
- ⑦. PART SIZE 2 X 5 (10 POSITION) ONLY HAS ONE SLOT ON
THE REAR WALL.
- ⑧. ADD "LF" SUFFIX AT THE END OF PART NUMBER FOR LEAD FREE OPTION.
- 9. THE HOUSING WILL WITHSTAND EXPOSURE TO 260°C PEAK TEMPERATURE
FOR 15 SECONDS IN A WAVE SOLDER APPLICATION WITH A 1.5mm
MINIMUM THICK CIRCUIT BOARD. SEE APPLICATION NOTES/PROCEDURES
IF THEY ARE AVAILABLE.
- ⑩. IF "LF" P/N THE PRODUCT MEETS EUROPEAN UNION DIRECTIVES AND OTHER
COUNTRY REGULATION AS DESCRIBED IN GS-22-008.
- ⑪. PLATING OPTIONS:
MAY BE EITHER GOLD OR GXT PLATED AT MANUFACTURER'S OPTION.



FCIconnect.com

Copyright FCI

mat'l. code		surface ISO 1302 ✓		tolerance ISO 406 ISO 1101		projection ⊕		product family HEADERS	
ltr	ecn	no	dr	date		tolerances unless otherwise specified		title	
H						angles	linear	EJECT HEADER ASS'Y SEA-HORSE, 4 WALL	
						0°±2'	.XX±.01/.3 .XXX±.005/.13 .XXXX±.0020/.051	INCH/MM scale 1.5:1	
			dr	M. FETROW	8/16/96			dwg no	
			enr	L. FYE	8/16/96			sheet 2 of 3	
			chr	L. FYE	8/16/96			size	
			appd	L. FYE	8/16/96			A3	
sheet index		revision sheet						type Product Customer Drawing	

PRODUCT NO.

723

M

L

X

ZZ

T

LF

PLASTIC MAT'L NOTE 1	
1	BLACK PCT HIGH TEMP
2	BLUE PBT
3	GRAY PBT

PLATING NOTE 11	
A	30u"/0.76u Au OR GXT DUPLEX
B	30u"/0.76u GXT OR Au DUPLEX
G	15u"/0.38u DUPLEX
1	30u"/0.76u Au GOLD OR GXT
5	30u"/0.76u GXT OR Au
6	15u"/0.38u GXT OR Au
7	UNPLATED/DUPLEX
9	15u"/0.38u Au GOLD OR GXT

TAIL LENGTH	
1	.105/2.67
2	.120/3.05
5	.150/3.81
6	.200/5.08
7	.675/17.15

LEAD FREE OPTION
NOTE 8

LATCH STYLE NOTE 2	
0	NO LATCH
1	STANDARD LATCH
2	LO PROFILE LATCH

	POSITIONS	DIM A	DIM B	DIM D	HDR. STYLE
10	2 x 5	1.260/32.00	.400/10.16	1.100/27.94	A
14	2 x 7	1.460/37.08	.600/15.24	1.300/33.02	C
16	2 x 8	1.560/39.62	.700/17.78	1.400/35.56	D
20	2 x 10	1.760/44.70	.900/22.86	1.600/40.64	D
24	2 x 12	1.960/49.78	1.100/27.49	1.800/45.72	D
26	2 x 13	2.060/52.34	1.200/30.48	1.900/48.26	D
30	2 x 15	2.260/57.40	1.400/35.56	2.100/53.34	D
34	2 x 17	2.460/62.48	1.600/40.64	2.300/58.42	D
36	2 x 18	2.560/65.02	1.700/43.18	2.400/60.96	D
40	2 x 20	2.760/70.10	1.900/48.26	2.600/66.04	D
44	2 x 22	2.960/75.18	2.100/53.34	2.800/71.12	D
50	2 x 25	3.260/82.80	2.400/60.96	3.100/78.74	D
60	2 x 30	3.760/95.50	2.900/73.66	3.600/91.44	D



Copyright FCI

mat'l. code		surface ISO 1302 ✓	tolerance ISO 406 ISO 1101	projection INCH/MM	product family HEADERS
ltr	ecn no dr	date		title	
H				EJECT HEADER ASS'Y SEA-HORSE, 4 WALL	
		angles	linear	scale 1.5:1	dwg no
		0°±2'	.XX±.01/.3 .XXX±.005/.13 .XXXX±.0020/.051		sheet 3 of 3 size
		dr	M. FETROW	8/16/96	72310 A3
		enr	L. FYE	8/16/96	
		chr	L. FYE	8/16/96	
		appd	L. FYE	8/16/96	
sheet index	revision sheet	type Product Customer Drawing			

form: A3