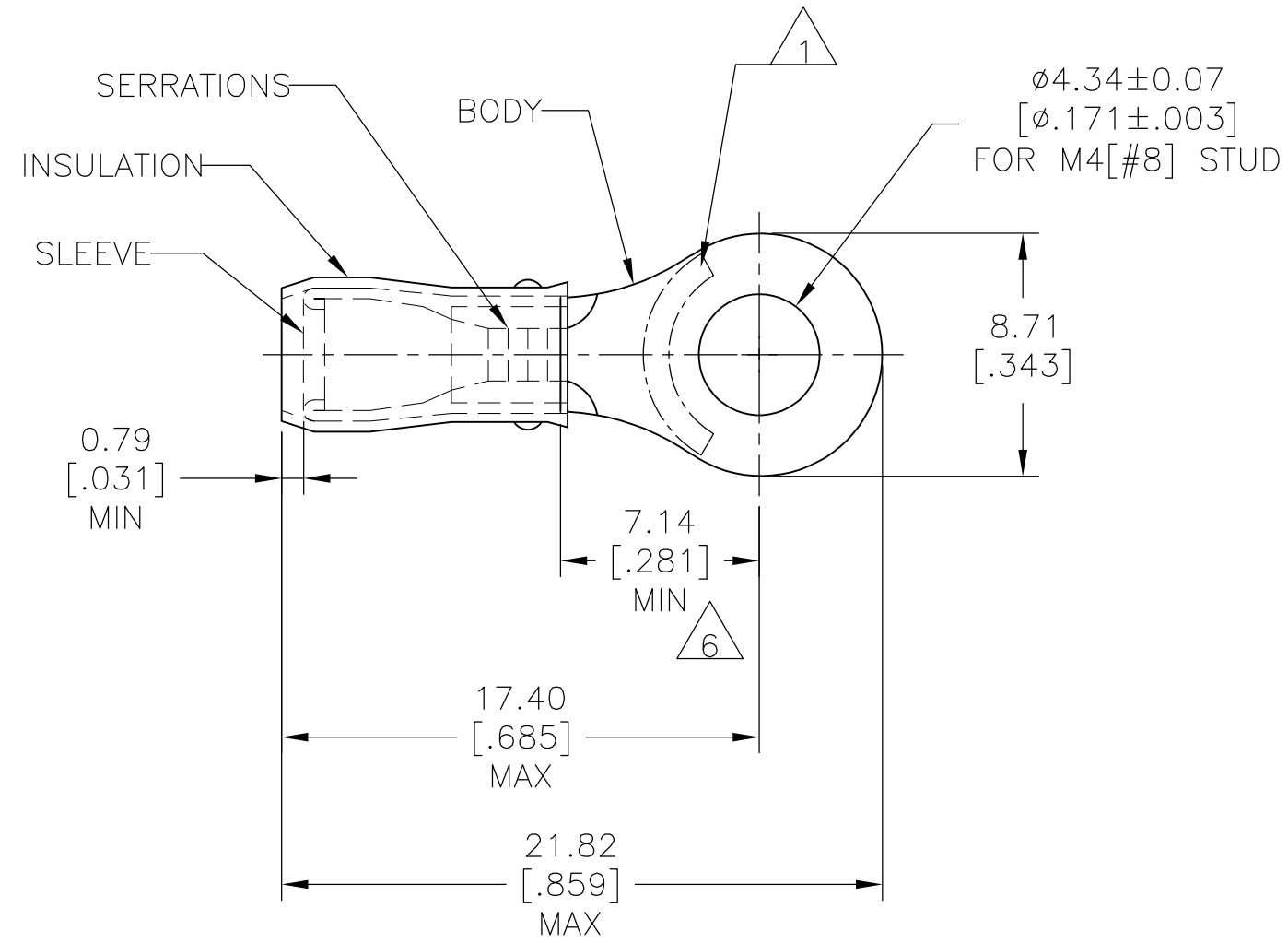


THIS DRAWING IS UNPUBLISHED. RELEASED FOR PUBLICATION
 © COPYRIGHT - By - ALL RIGHTS RESERVED.

REVISIONS					
P	LTR	DESCRIPTION	DATE	DWN	APVD
	F2	REVISED PER ECO-11-004820	11MAR11	RK	HMR
	F3	REVISED PER ECR-17-002638	03MAR2017	RS	DR

Listed FILE E13288	LR7189 Certified
16-14AWG SOLID OR STRANDED	16-14AWG SOLID OR STRANDED



- 1 STAMP AMP 16-14* APPROX AS SHOWN.
- 2 WIRE INSULATION DIA: 2.66-3.81 [.105-.150]
- 3 TONGUE MATERIAL THK: 0.78±0.05 [.031±.002]
- 4 BODY & SLEEVE: TIN PLATE 0.00254[.000100]MIN. EXT. THK. PER ASTM B545.
- 5 BODY & SLEEVE- CU PER ASTM B152 INSULATION - NYLON, COLOR - BLUE
- 6 APPLIES FROM EDGE OF METAL WIRE BARREL TO CENTER OF STUD HOLE.

100	LOOSE PIECE, BOX	8-320560-1
5000	320560 ON TAPE	2-320560-1
1000	LOOSE PIECE	320560
QTY	PACKAGE TYPE	PART NO

AMP INCORPORATED CUSTOMER SERVICE SYSTEMS	
FOR ADDITIONAL PRODUCT INFORMATION OR COPIES OF DRAWINGS AND TECHNICAL DOCUMENTS	PRODUCT INFORMATION CENTER 1-800-522-6752
FOR APPLICATION TOOLING INFORMATION	TOOLING ASSISTANCE CENTER 1-800-722-1111
FOR ORDER ENTRY	1-800-526-5142

MAX RECOMMENDED OPERATING TEMPERATURE: 105°C [221°F] MAX
VOLTAGE RATING: 300 V MAX
CIRCULAR MIL AREA: 1.04-2.62mm² [2,050-5,180] SOLID OR STRANDED

THIS DRAWING IS A CONTROLLED DOCUMENT.	
DIMENSIONS: mm [INCHES]	TOLERANCES UNLESS OTHERWISE SPECIFIED:
	0 PLC ± -
	1 PLC ± -
	2 PLC ± -
	3 PLC ± 0.13 [.005]
	4 PLC ± -
	ANGLES ± -
MATERIAL	FINISH
5	4

DWN JR RUTH 08JAN07	TE Connectivity			
CHK T MICHELUTTI 08JAN07				
APVD T MICHELUTTI 08JAN07	NAME TERMINAL, RING TONGUE, P.I.D.G. WIRE SIZE: 16-14 AWG			
PRODUCT SPEC -	SIZE A3	CAGE CODE 00779	DRAWING NO C-320560	RESTRICTED TO -
APPLICATION SPEC -	CUSTOMER DRAWING		SCALE 4:1	SHEET 1 OF 1
WEIGHT -			REV F3	